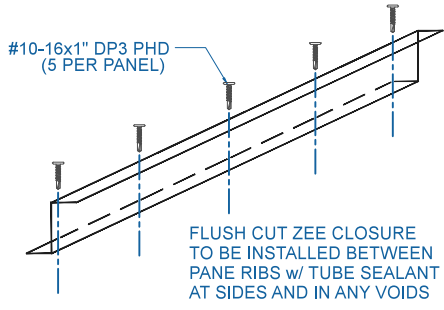
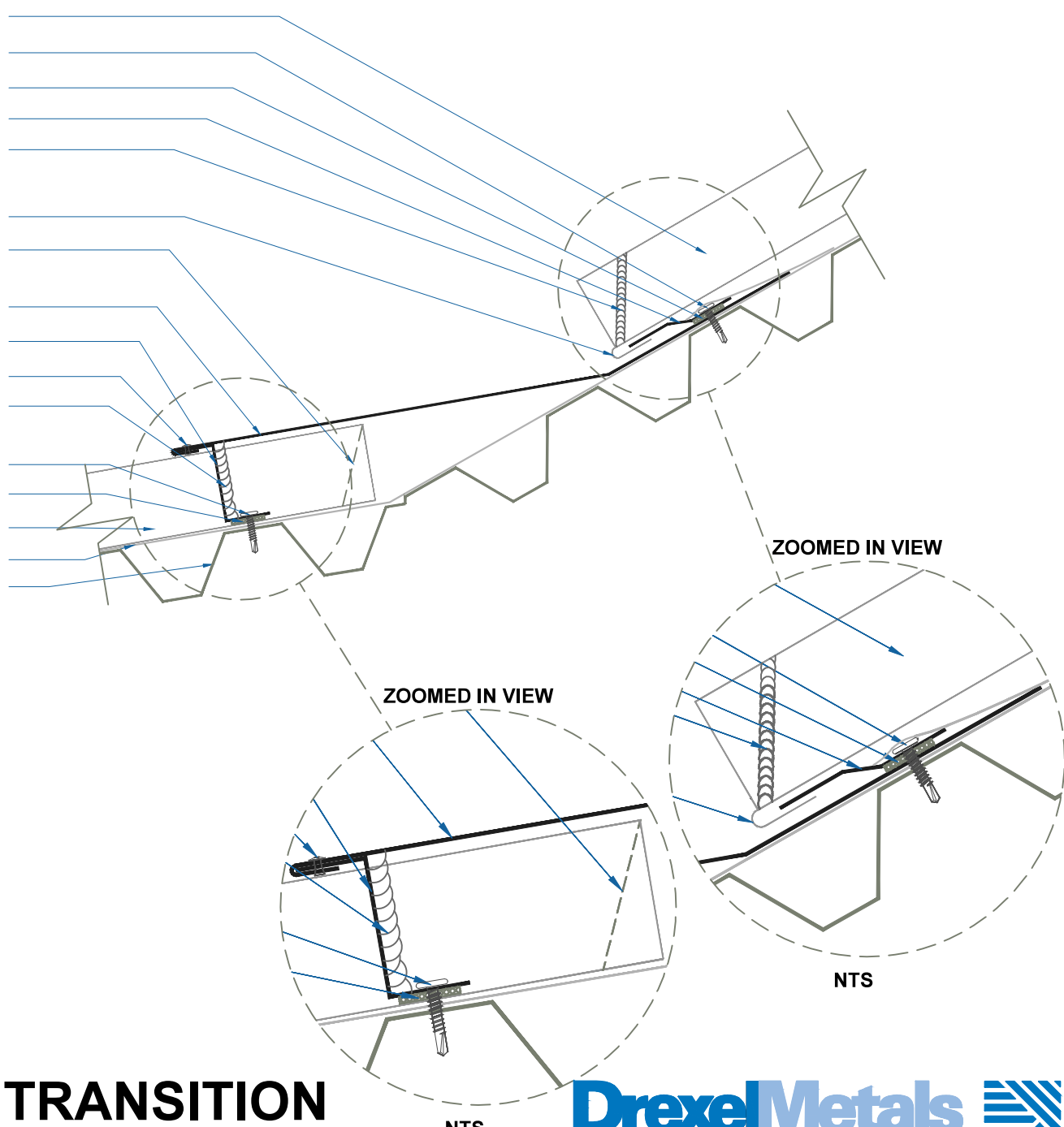


DMC 200S - METAL DECK

- DMC 200S PANEL
- #10 - 16 x 1" DP3 PHD (12" o.c.)
- D.B. TAPE SEALANT
- OFFSET CLEAT FLASHING
- DREXEL APPROVED TUBE SEALANT
(FIELD APPLIED BETWEEN PANEL RIBS)
- FIELD CUT & HEM PANEL 180°
- BOX END OF PANEL
(SEE ZEE CLOSURE OPTIONS DETAIL)
- TRANSITION FLASHING
- Z-CLOSURE
- 1/8" - #43 POP RIVET (18" o.c.)
- DREXEL APPROVED TUBE SEALANT
(FIELD APPLIED BETWEEN PANEL RIBS)
- #10 - 16 x 1" DP3 PHD (5 PER PANEL)
- D.B. TAPE SEALANT
- DMC 200S PANEL
- METSHIELD UNDERLAYMENT
- METAL DECK



TRANSITION

SCALE: 3" = 1'-0"

EFFECTIVE DATE: 07-12-2013
SUBJECT TO CHANGE WITHOUT NOTICE