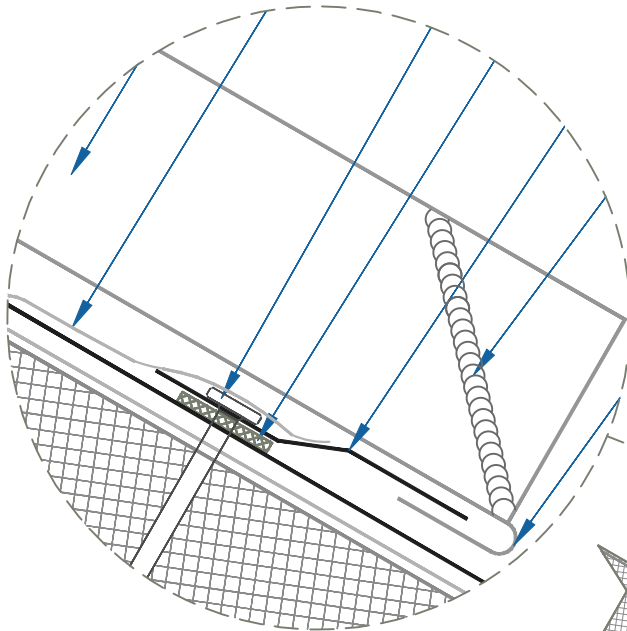
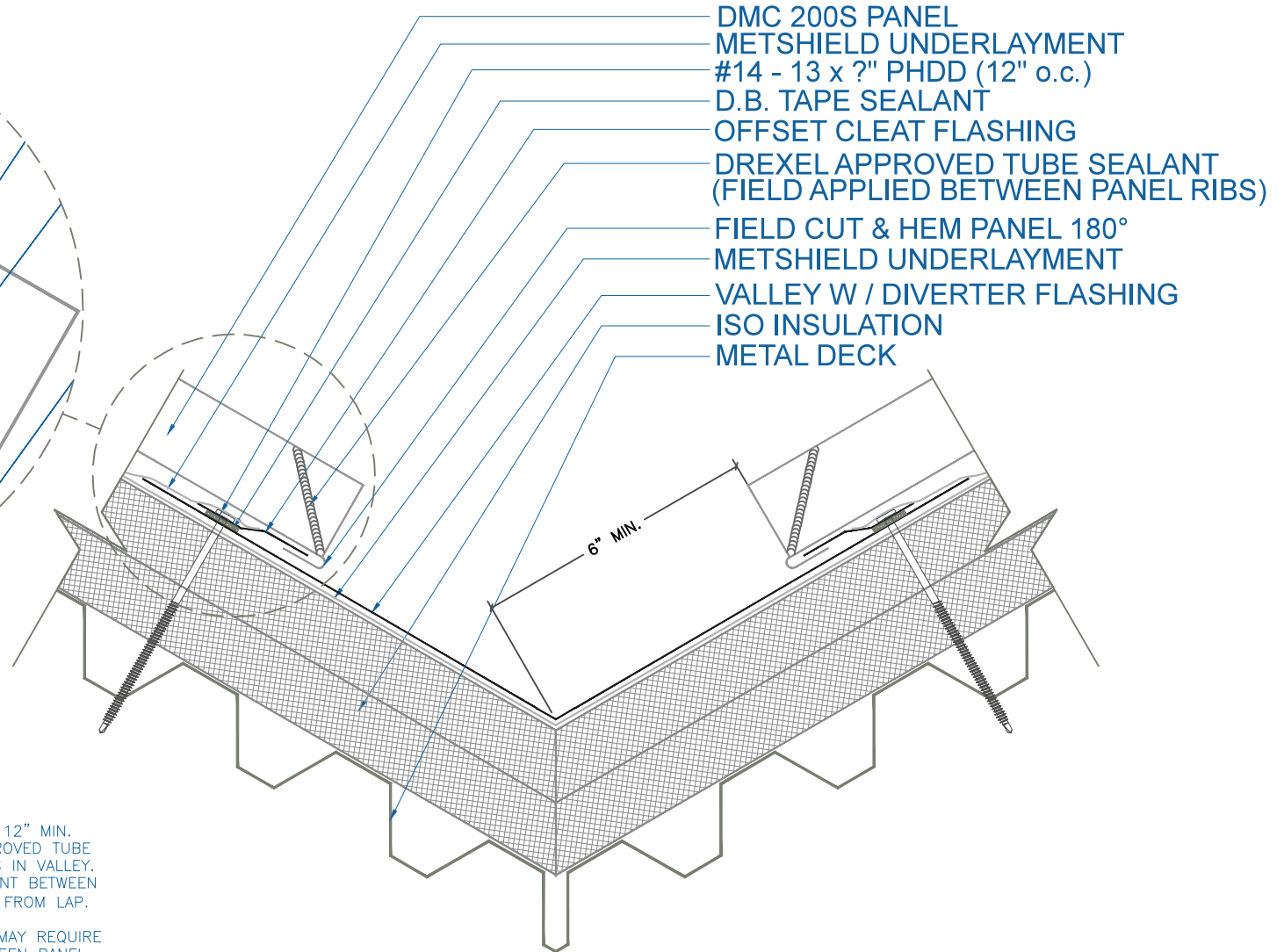


DMC 200S - ISO w/ METAL DECK

ZOOMED IN VIEW



NTS



- NOTE:
- 1.) LAPS IN VALLEY ARE 12" MIN. DREXEL METALS APPROVED TUBE SEALANT IN ALL LAPS IN VALLEY. TWO ROWS OF SEALANT BETWEEN VALLEY LAPS, 4" UP FROM LAP.
 - 2.) LARGE ROOF AREAS MAY REQUIRE A LARGER GAP BETWEEN PANEL AND DIVERTER TO ALLOW FOR STORM WATER RUN OFF.

VALLEY W/O DIVERTER



EFFECTIVE DATE: 04-12-2013
SUBJECT TO CHANGE WITHOUT NOTICE

SCALE: 3" = 1'-0"