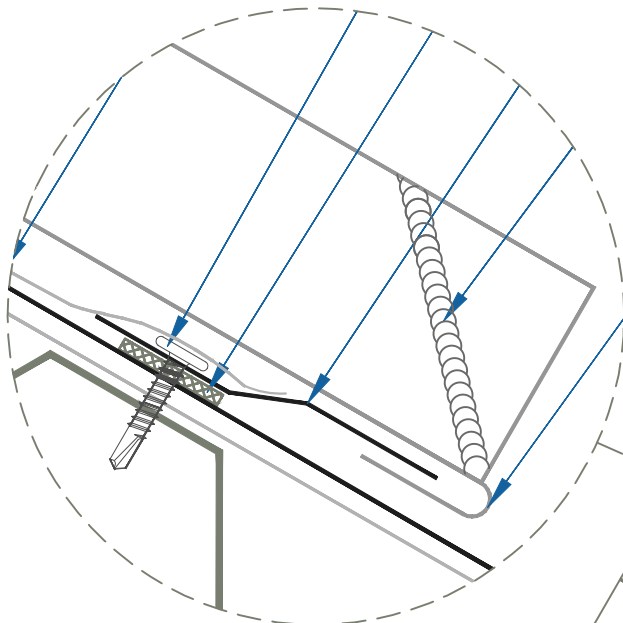
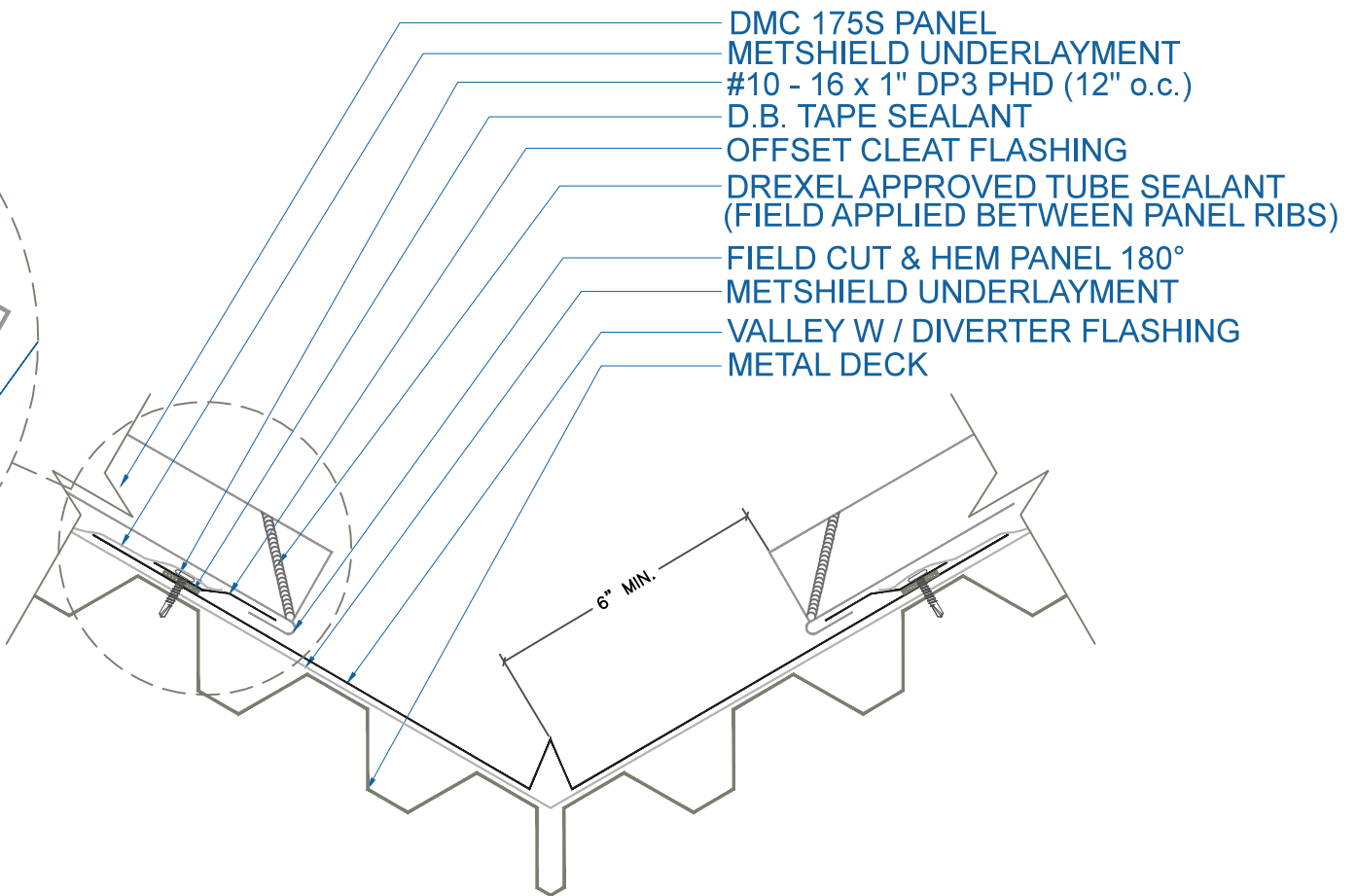


# DMC 175S - METAL DECK

ZOOMED IN VIEW



NTS



DMC 175S PANEL  
METSHIELD UNDERLAYMENT  
#10 - 16 x 1" DP3 PHD (12" o.c.)  
D.B. TAPE SEALANT  
OFFSET CLEAT FLASHING  
DREXEL APPROVED TUBE SEALANT  
(FIELD APPLIED BETWEEN PANEL RIBS)  
FIELD CUT & HEM PANEL 180°  
METSHIELD UNDERLAYMENT  
VALLEY W / DIVERTER FLASHING  
METAL DECK

NOTE:

- 1.) LAPS IN VALLEY ARE 12" MIN.  
DREXEL METALS APPROVED TUBE  
SEALANT IN ALL LAPS IN VALLEY.  
TWO ROWS OF SEALANT BETWEEN  
VALLEY LAPS, 4" UP FROM LAP.
- 2.) LARGE ROOF AREAS MAY REQUIRE  
A LARGER GAP BETWEEN PANEL  
AND DIVERTER TO ALLOW FOR  
STORM WATER RUN OFF.

## VALLEY W / DIVERTER

SCALE: 3" = 1'-0"

EFFECTIVE DATE: 06-20-2013  
SUBJECT TO CHANGE WITHOUT NOTICE

**DrexelMetals**  
Roofing Systems + Custom Fabrication

