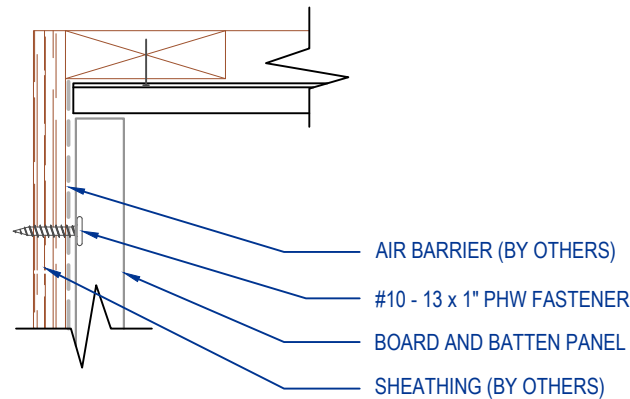
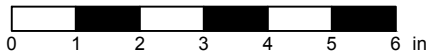


KEYNOTES:

- FASTENERS MUST PENETRATE WOOD SUBSTRATE BY 5/8" MINIMUM THREAD LENGTH
- FASTENER SPACING VARIES BASED ON PROJECT SPECIFIC LOADS AND/OR LOCAL BUILDING CODES
- THIS DETAIL DRAWING IS APPLICABLE TO ALL BOARD AND BATTEN WALL PANEL WIDTHS



SCALE: 4" = 1'-0"



EFFECTIVE DATE: 01-01-2023

SUBJECT TO CHANGE WITHOUT NOTICE

DISCLAIMER: DETAIL SHOWN FOR ILLUSTRATION PURPOSES ONLY. ACTUAL PROJECT DETAIL MAY VARY

DREXEL METALS - DREXMET.COM

HQ: 1234 Gardiner Drive
Louisville, KY 40213
P: 888-321-9630
F: 502-690-6174

399 East Industrial Park Drive
Manchester, NH 03109
P: 603-836-7122

1550 East 73rd Ave
Denver, CO 80229
P: 303-420-8538
F: 303-420-8356

8641 Elm Fair BLVD
Tampa, FL 33610
P: 877-399-3600
F: 727-572-7910

675 NW Enterprise Drive
Port St Lucie, FL 34986
P: 877-863-8256

6930 San Tomas Road Suite A
Elkridge, MD 21075
P: 800-863-8322
F: 410-799-9913

1232 Vernon Street
North Kansas City, MO 64116
P: 816-356-4714

2101 Green Lane - Suite C
Levittown, PA 19057
P: 888-321-9630