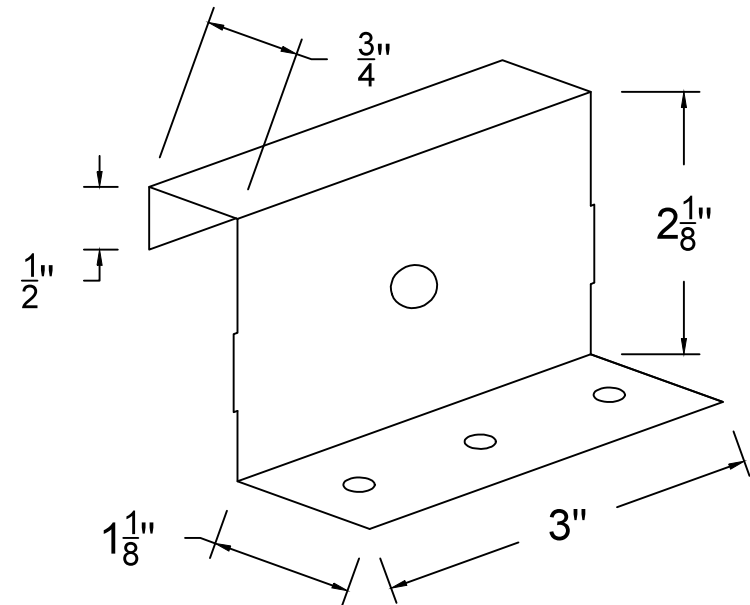
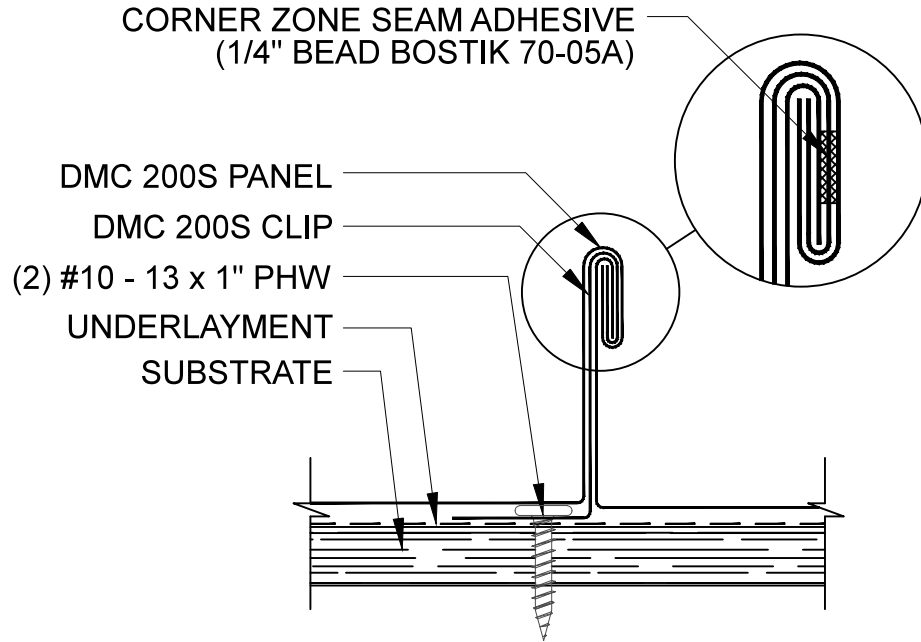
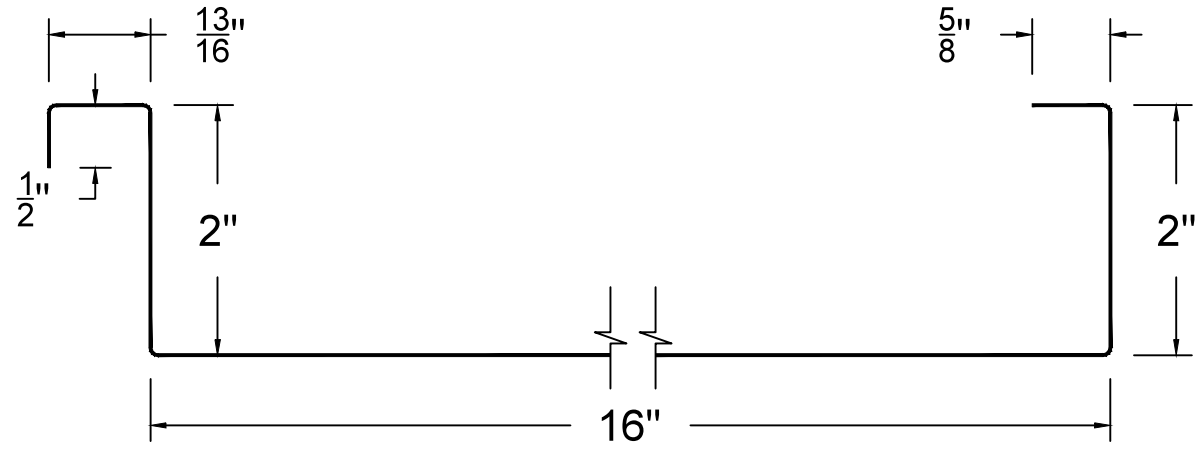


DMC 200S - .040" ALUMINUM - SOLID SUBSTRATE



FIELD & CORNER ZONE CLIP



PANEL PROFILE

180° SEAM INSTALLATION

SCALE: NTS
EFFECTIVE DATE: 04-1-13