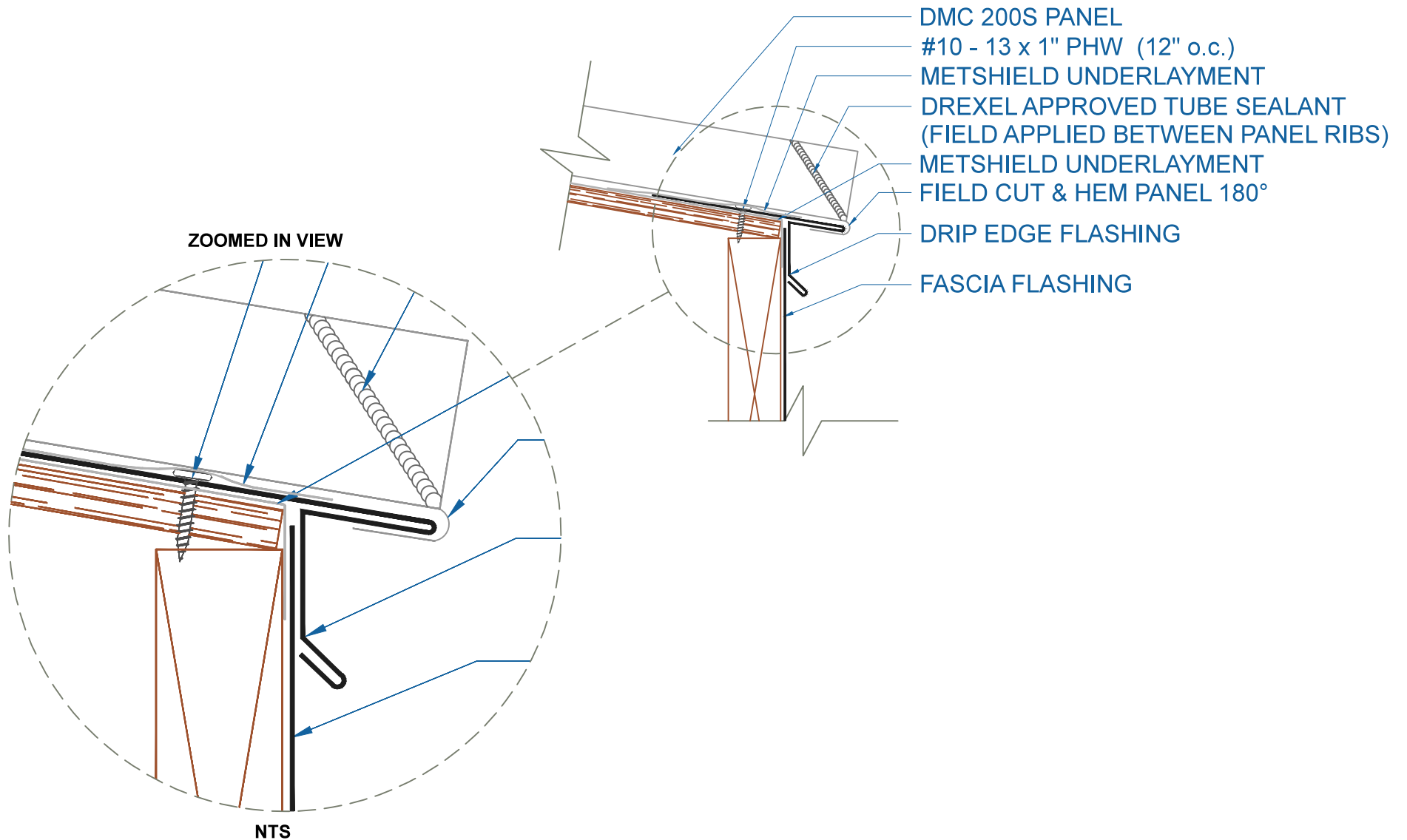


DMC 200S - PLYWOOD



EFFECTIVE DATE: 01-04-13
SUBJECT TO CHANGE WITHOUT NOTICE

DRIP EDGE

SCALE: 3" = 1'-0"