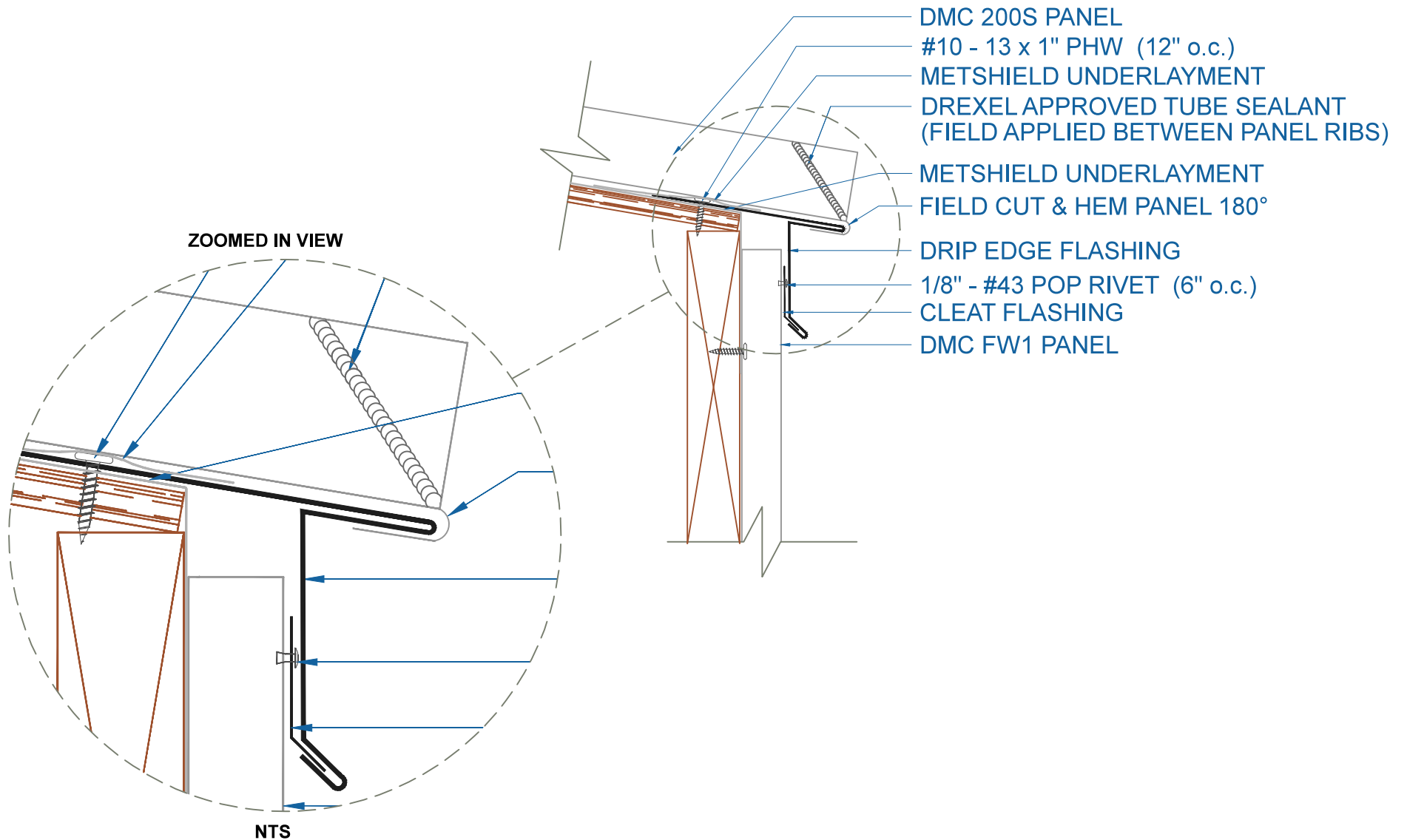


DMC 200S - PLYWOOD



DRIP EDGE w/FLUSH PANEL

SCALE: 3" = 1'-0"

EFFECTIVE DATE: 12-11-12
SUBJECT TO CHANGE WITHOUT NOTICE