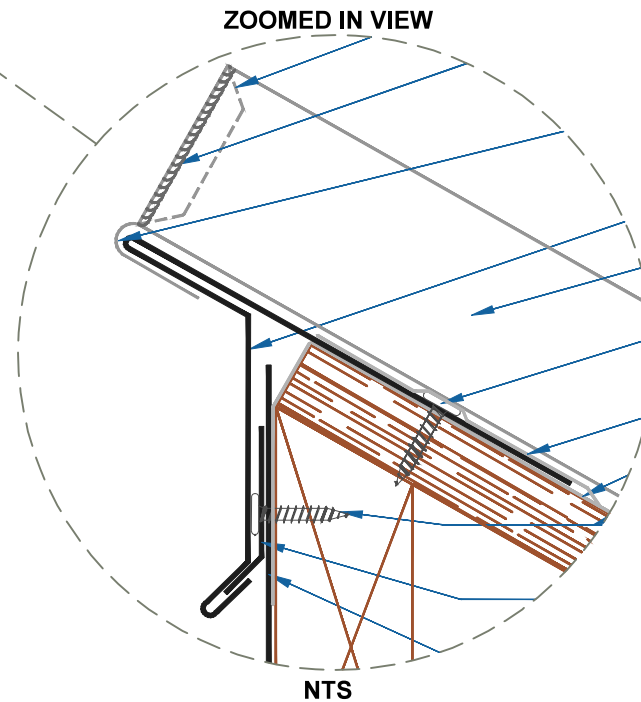
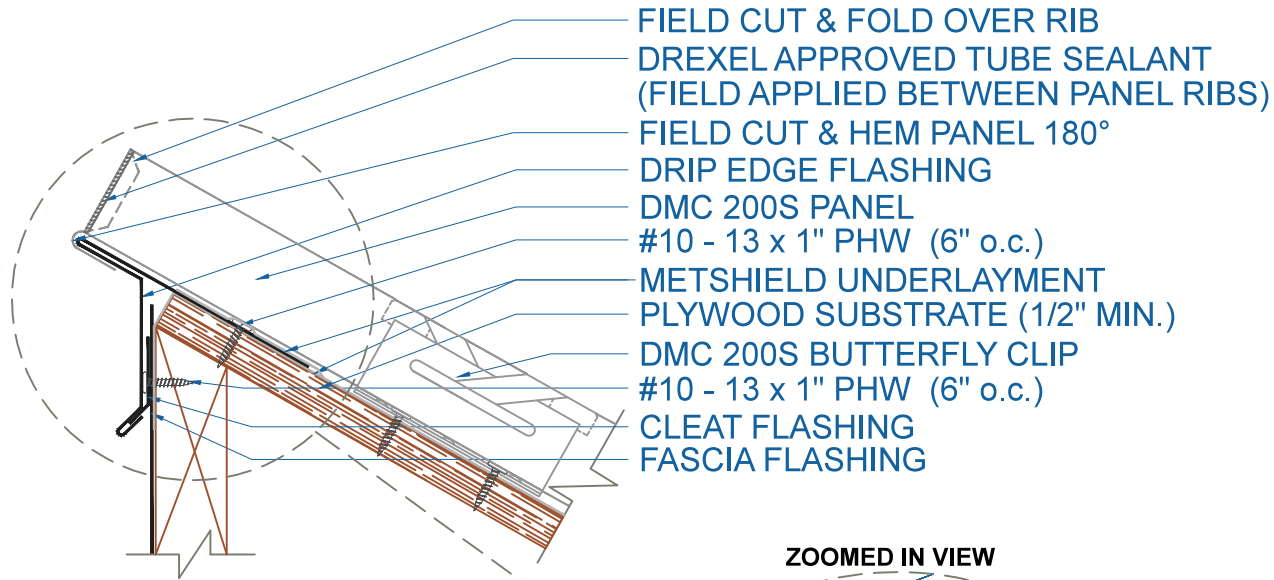


DMC 200S - PLYWOOD



PEAK w/DRIP EDGE

SCALE: 3" = 1'-0"