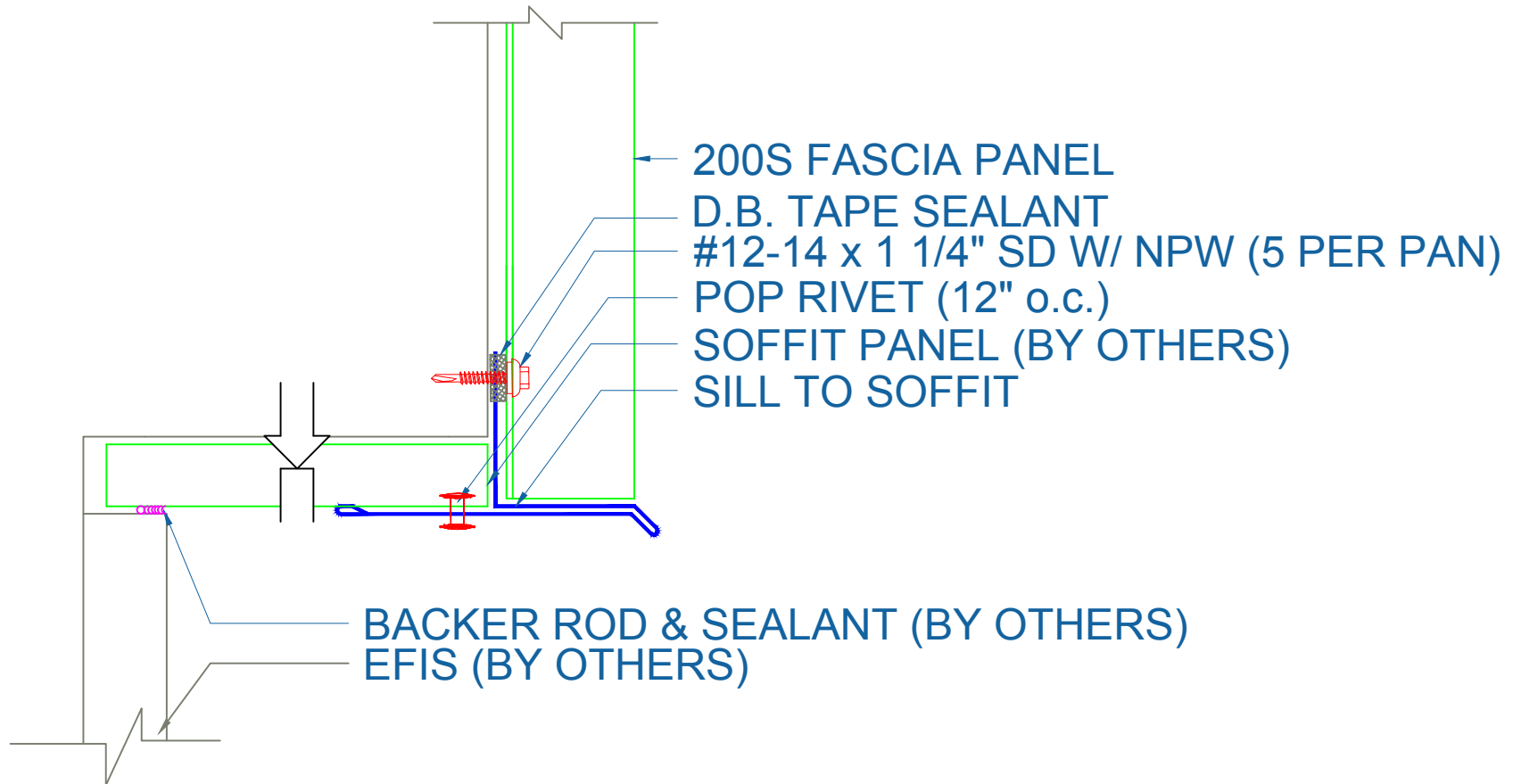


# DMC 200S - OPEN FRAMING



EFFECTIVE DATE: 07-11-12  
SUBJECT TO CHANGE WITHOUT NOTICE

## SILL TO SOFFIT

SCALE: 3" = 1'-0"

**DrexelMetals**  
Roofing Systems + Custom Fabrication

