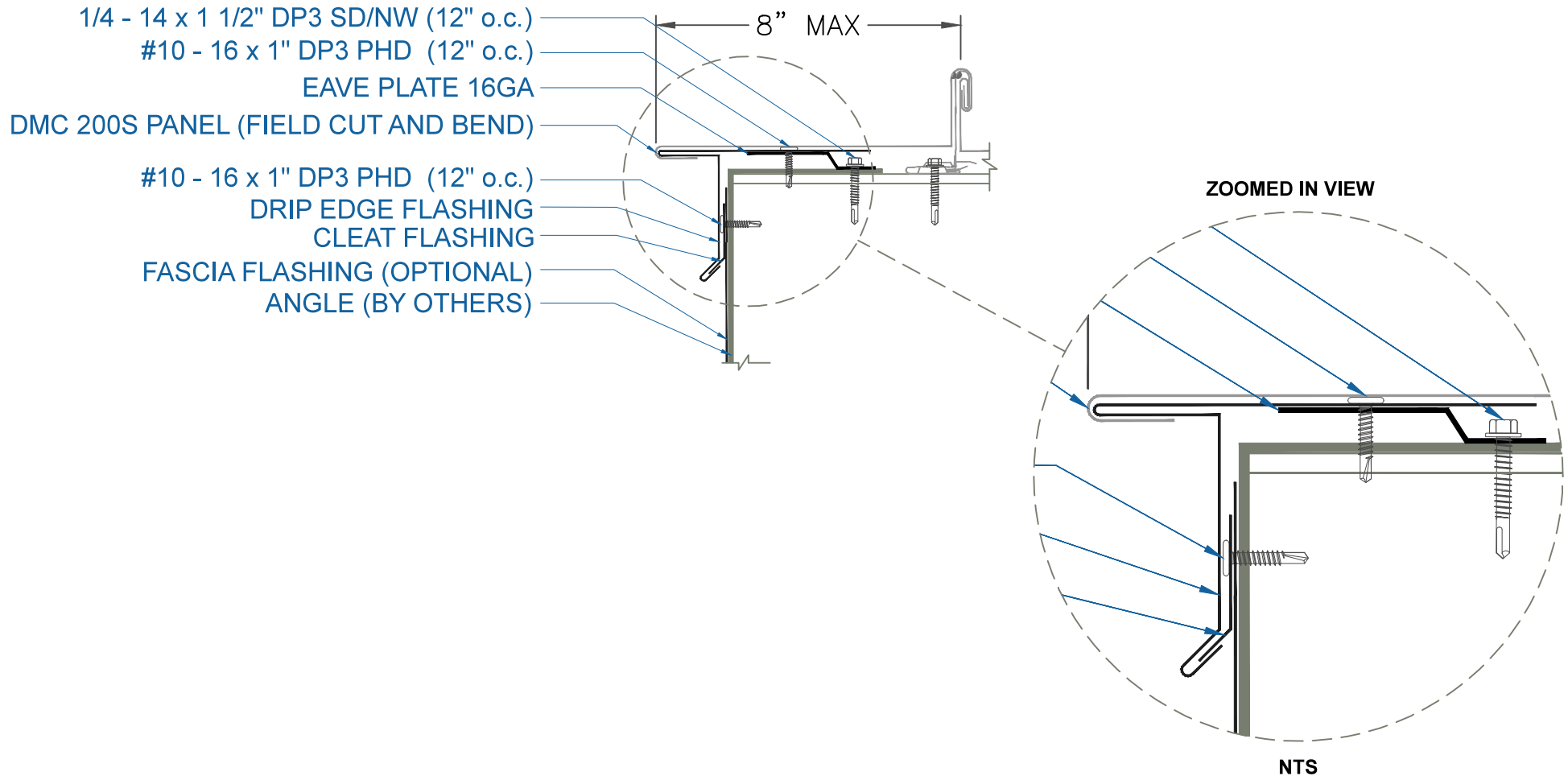


# DMC 200S - OPEN FRAMING



## GABLE ALTERNATE / CURVED

SCALE: 3" = 1'-0"