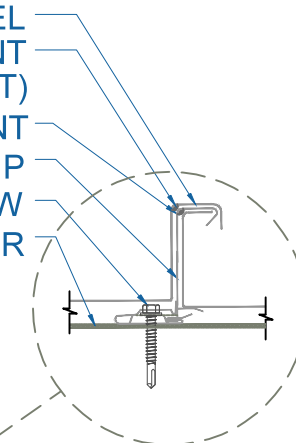


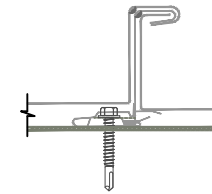
# DMC 200S - OPEN FRAMING

DMC 200S PANEL  
DREXEL APPROVED SEALANT  
(FIELD OR MACHINE APPLIED SEALANT)  
CLIP SEALANT  
CLIP  
(2) 1/4 - 14 x 1 1/2" DP3 SD/NW  
FRAMING MEMBER

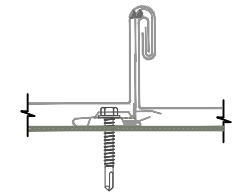
ZOOMED IN VIEW



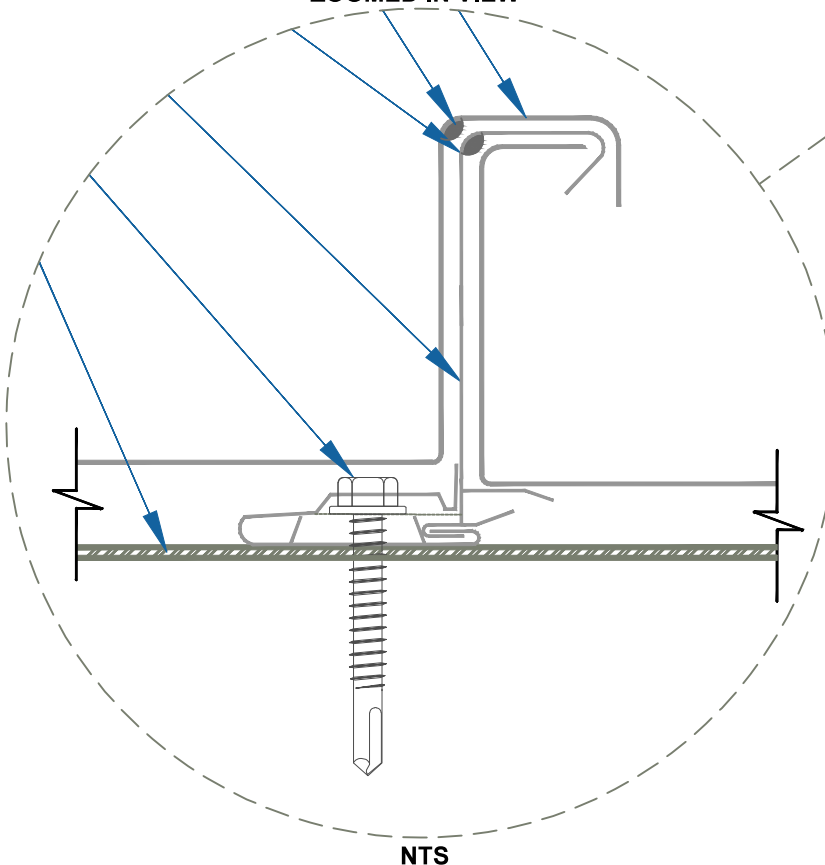
CROSS SECTION  
BEFORE SEAMING



CROSS SECTION  
90° SEAMING



CROSS SECTION  
180° SEAMING



NTS

SEAMER TOOL RENTAL  
SEAMER TOOLS, INC.  
8265 HIGHWAY 178  
OLIVE BRANCH, MS 38654  
PH:(662)895-1222  
FAX:(662)890-4775  
RENT@SEAMERTOOLS.COM

EFFECTIVE DATE: 12-12-12  
SUBJECT TO CHANGE WITHOUT NOTICE

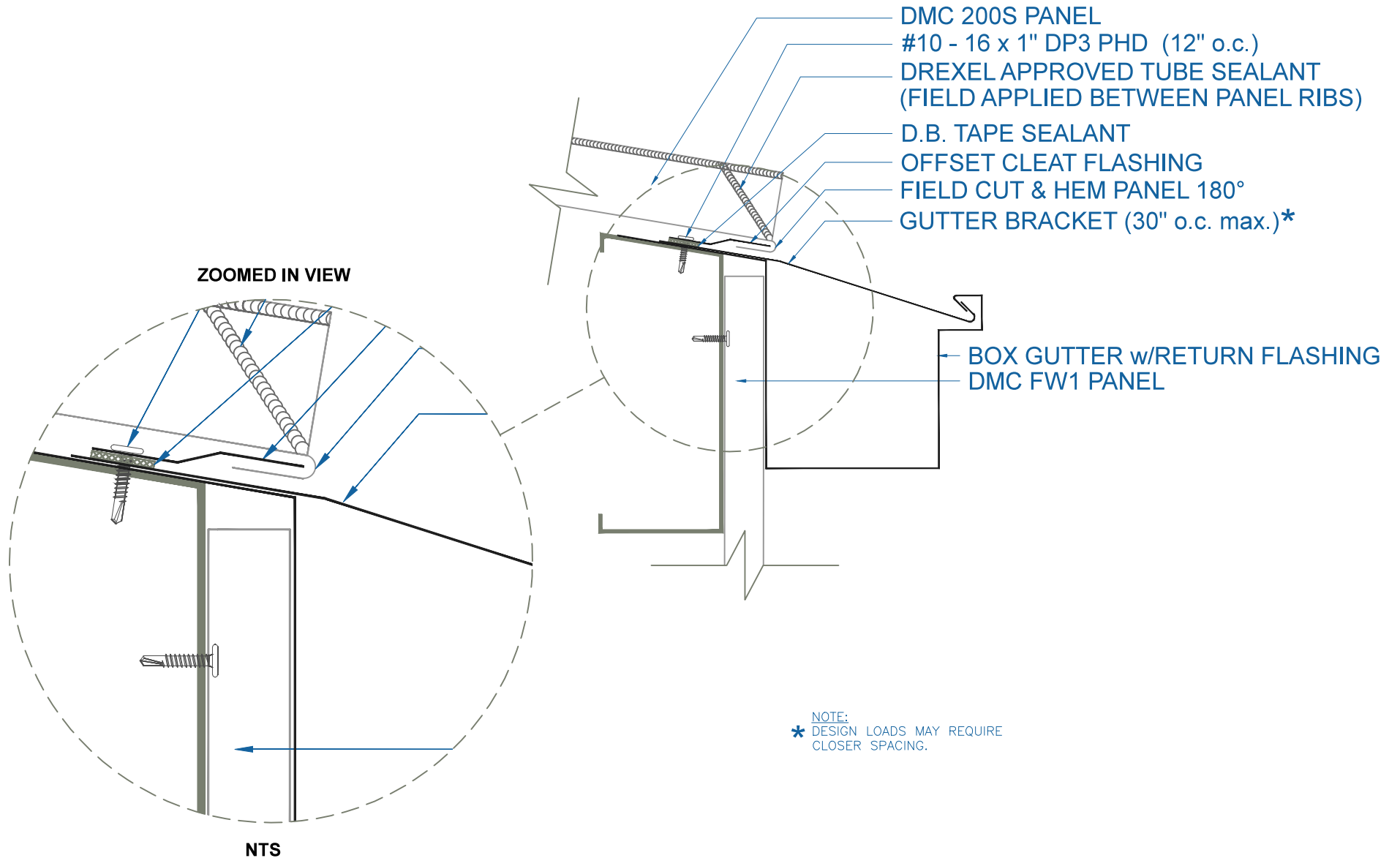
## INSTALLATION DETAIL

SCALE: 3" = 1'-0"

**DrexelMetals**  
Roofing Systems + Custom Fabrication



# DMC 200S - OPEN FRAMING

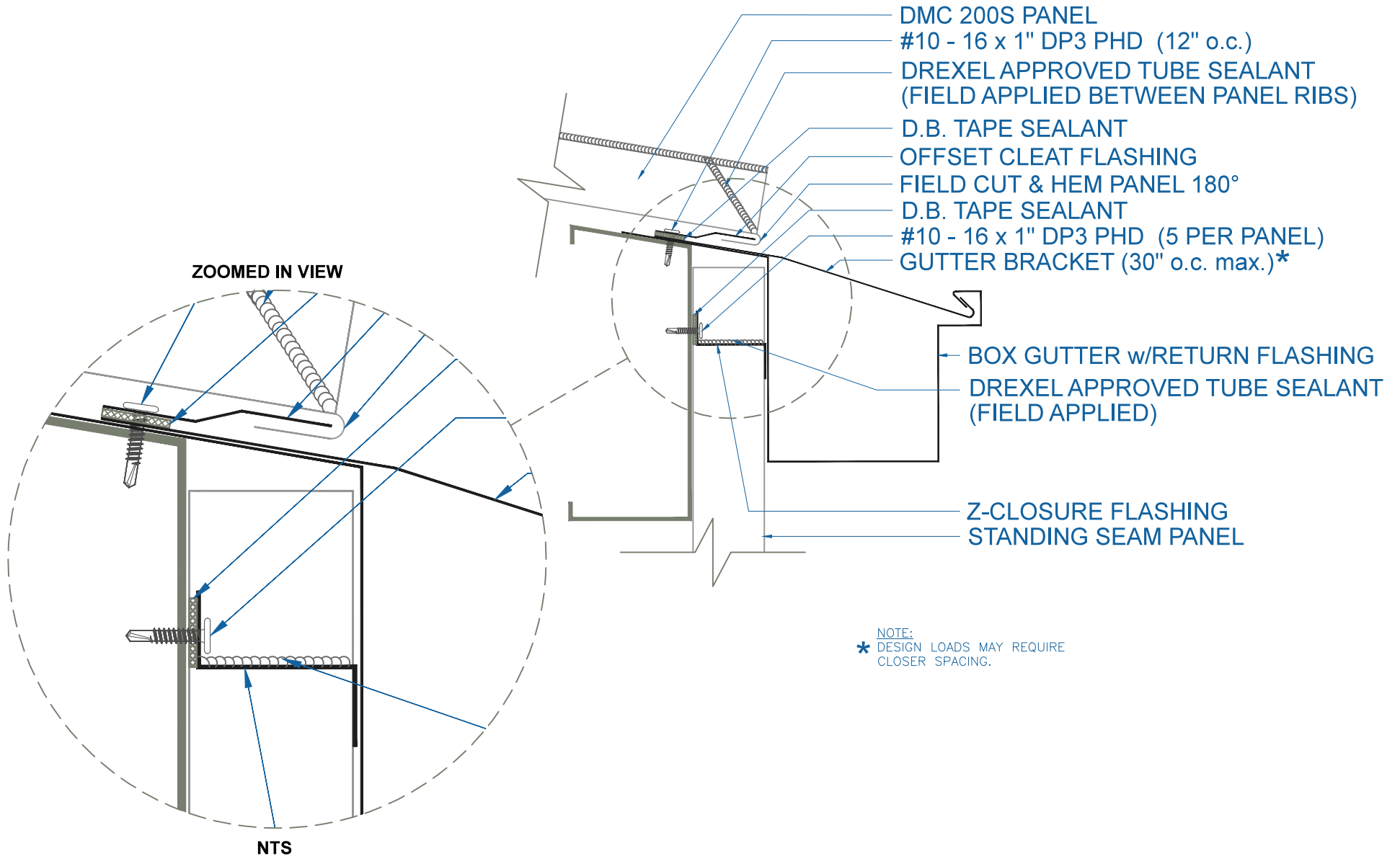


## **BOX GUTTER - w/RETURN** **w/FLUSH PANEL**

EFFECTIVE DATE: 12-12-12  
SUBJECT TO CHANGE WITHOUT NOTICE

SCALE: 3" = 1'-0"

# DMC 200S - OPEN FRAMING



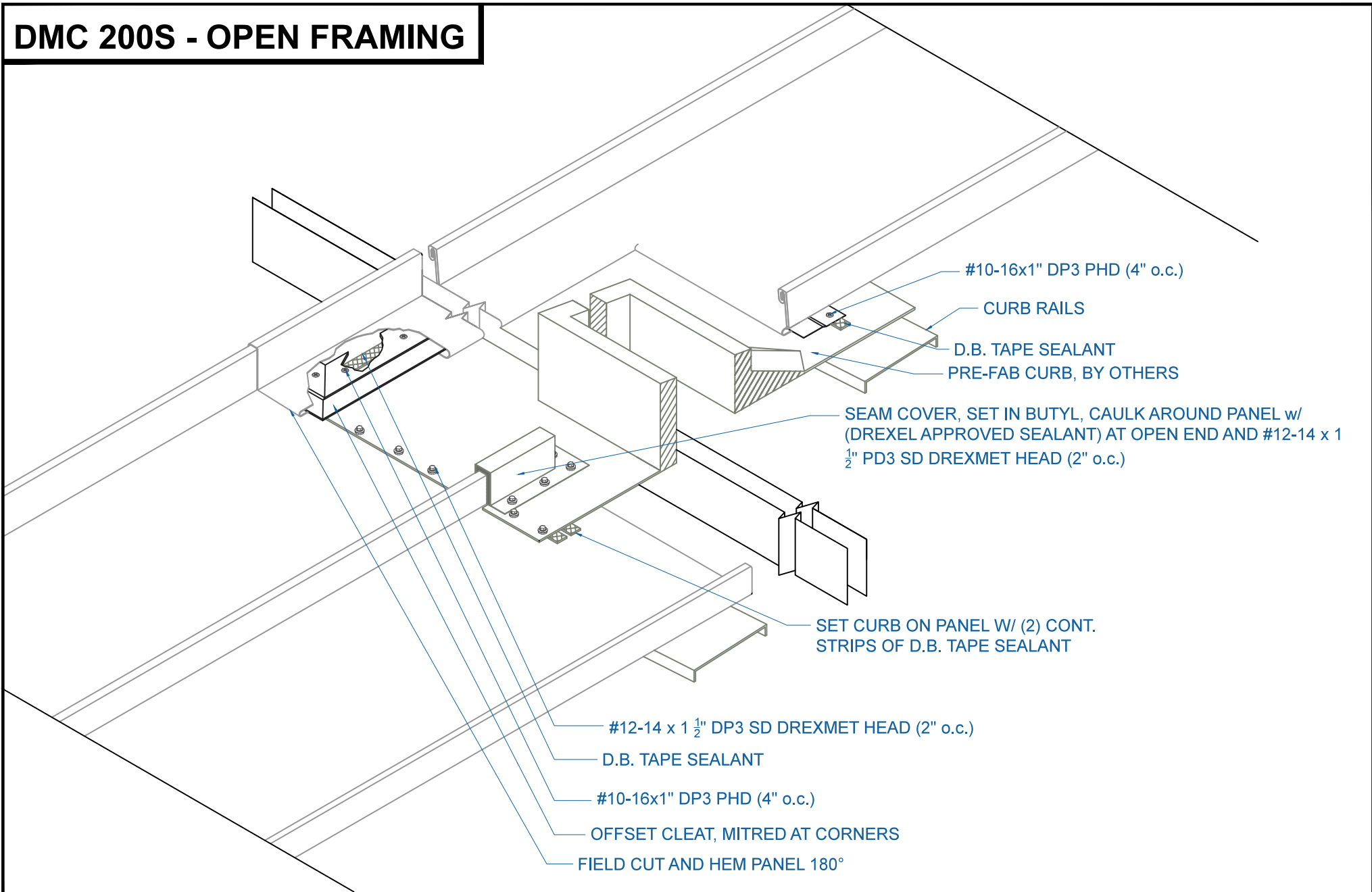
## BOX GUTTER w/RETURN w/STANDING SEAM PANEL

SCALE: 3" = 1'-0"

EFFECTIVE DATE: 12-12-12  
SUBJECT TO CHANGE WITHOUT NOTICE



# DMC 200S - OPEN FRAMING



## CURB DETAIL

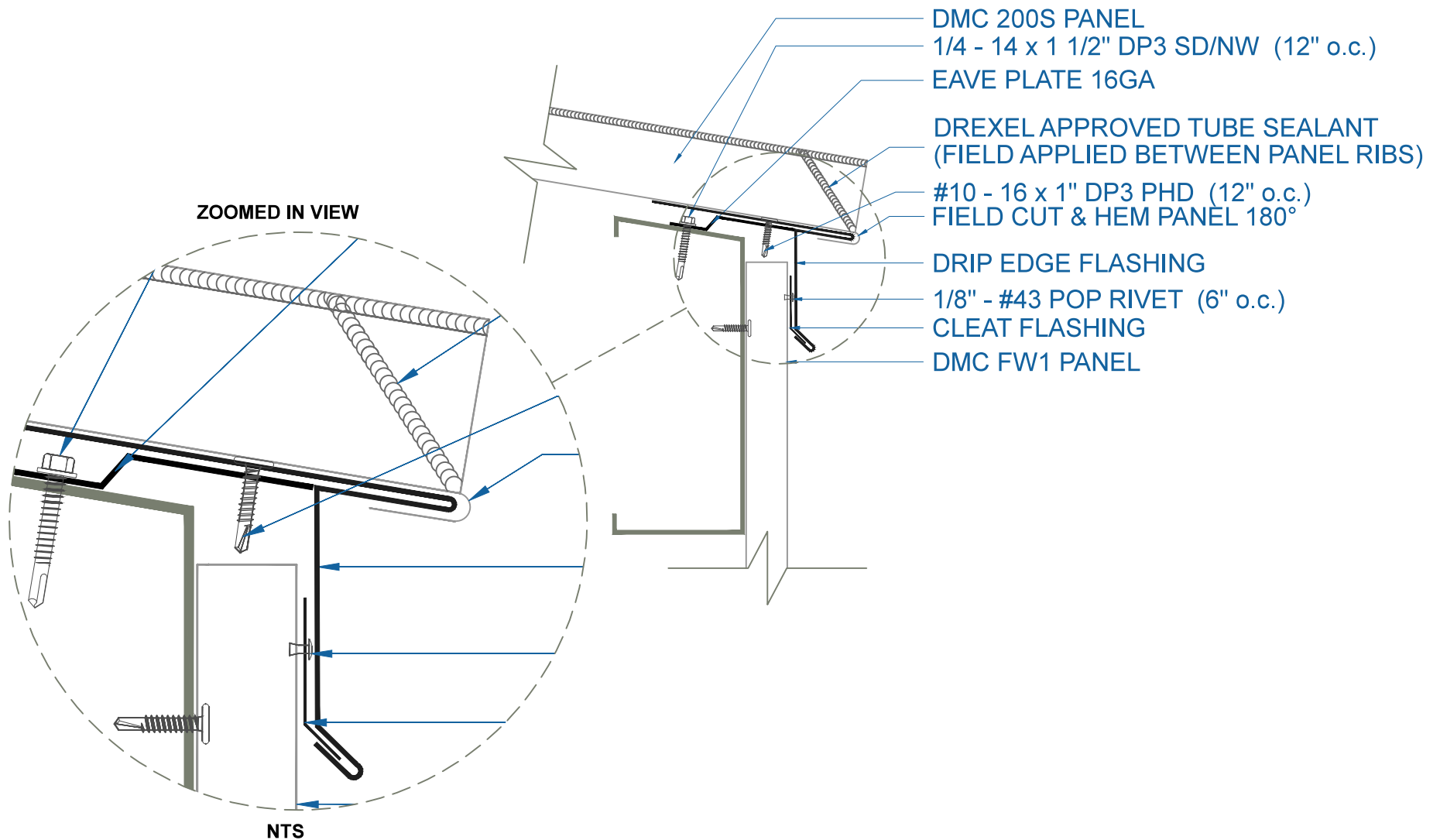
SCALE: NTS

EFFECTIVE DATE: 12-12-12  
SUBJECT TO CHANGE WITHOUT NOTICE

**DrexelMetals**  
Roofing Systems + Custom Fabrication



# DMC 200S - OPEN FRAMING

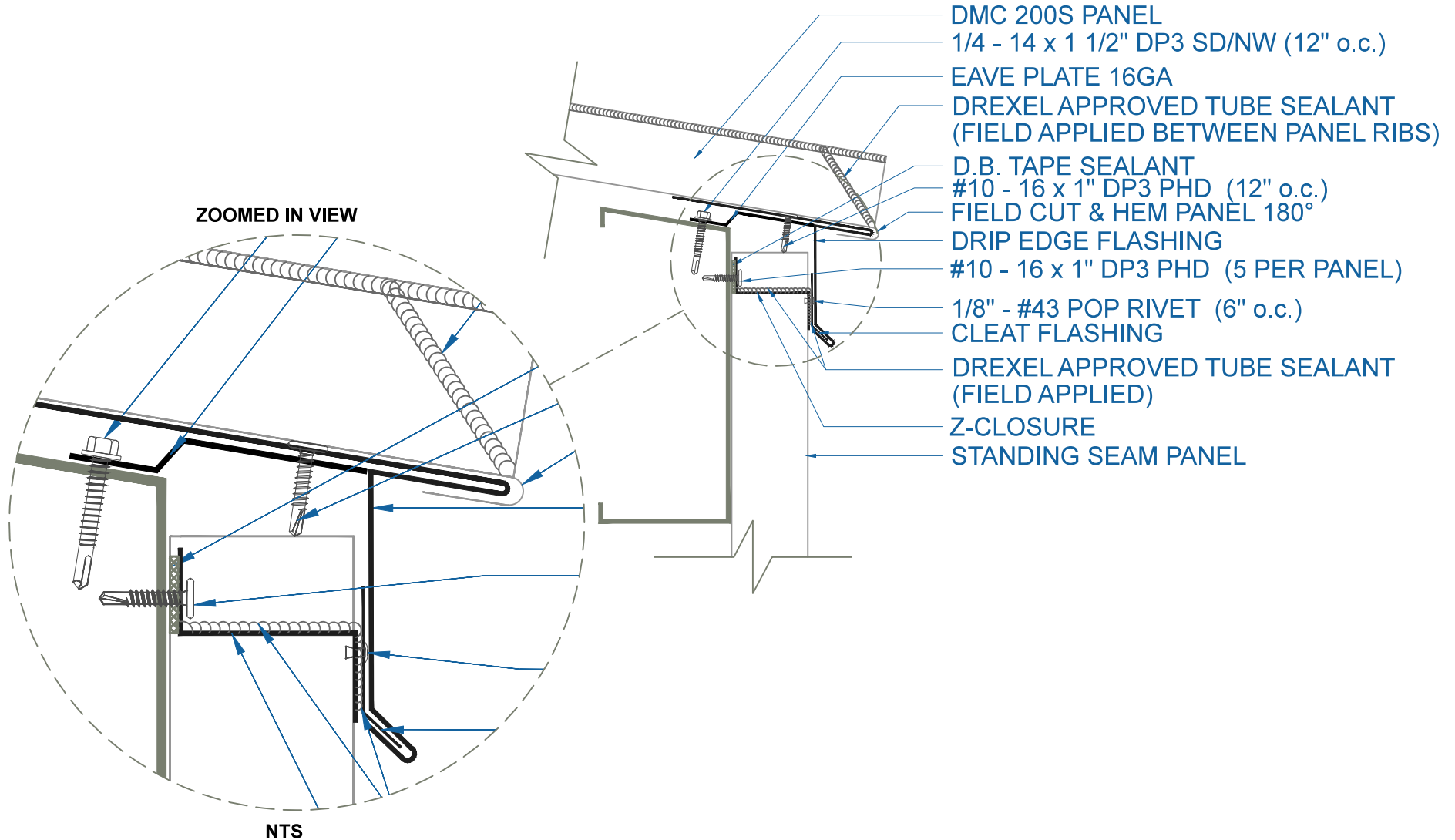


## DRIP EDGE w/FLUSH PANEL

SCALE: 3" = 1'-0"

EFFECTIVE DATE: 12-12-12  
SUBJECT TO CHANGE WITHOUT NOTICE

# DMC 200S - OPEN FRAMING



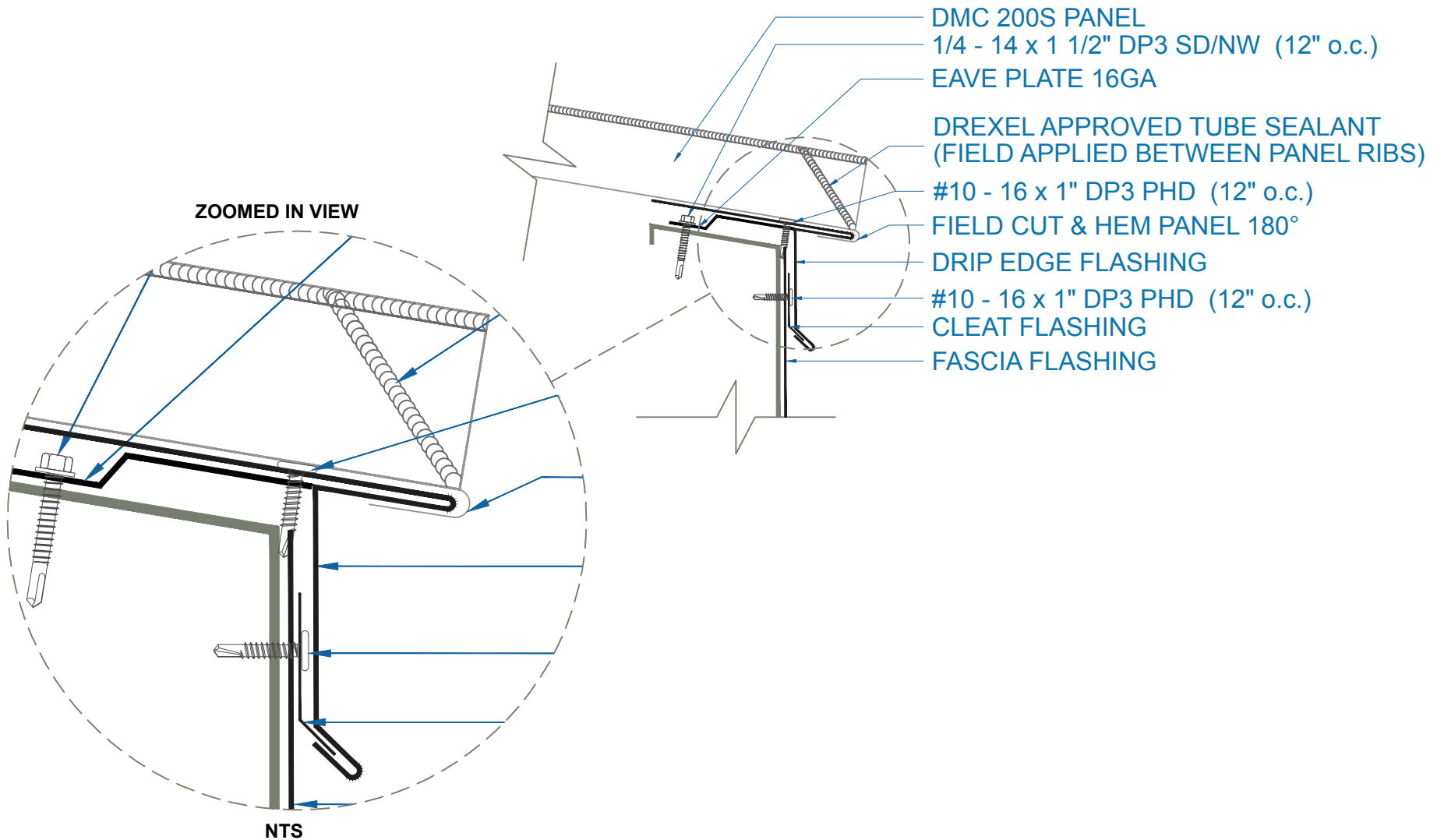
## DRIP EDGE w/STANDING SEAM PANEL

EFFECTIVE DATE: 12-12-12  
SUBJECT TO CHANGE WITHOUT NOTICE

SCALE: 3" = 1'-0"



# DMC 200S - OPEN FRAMING

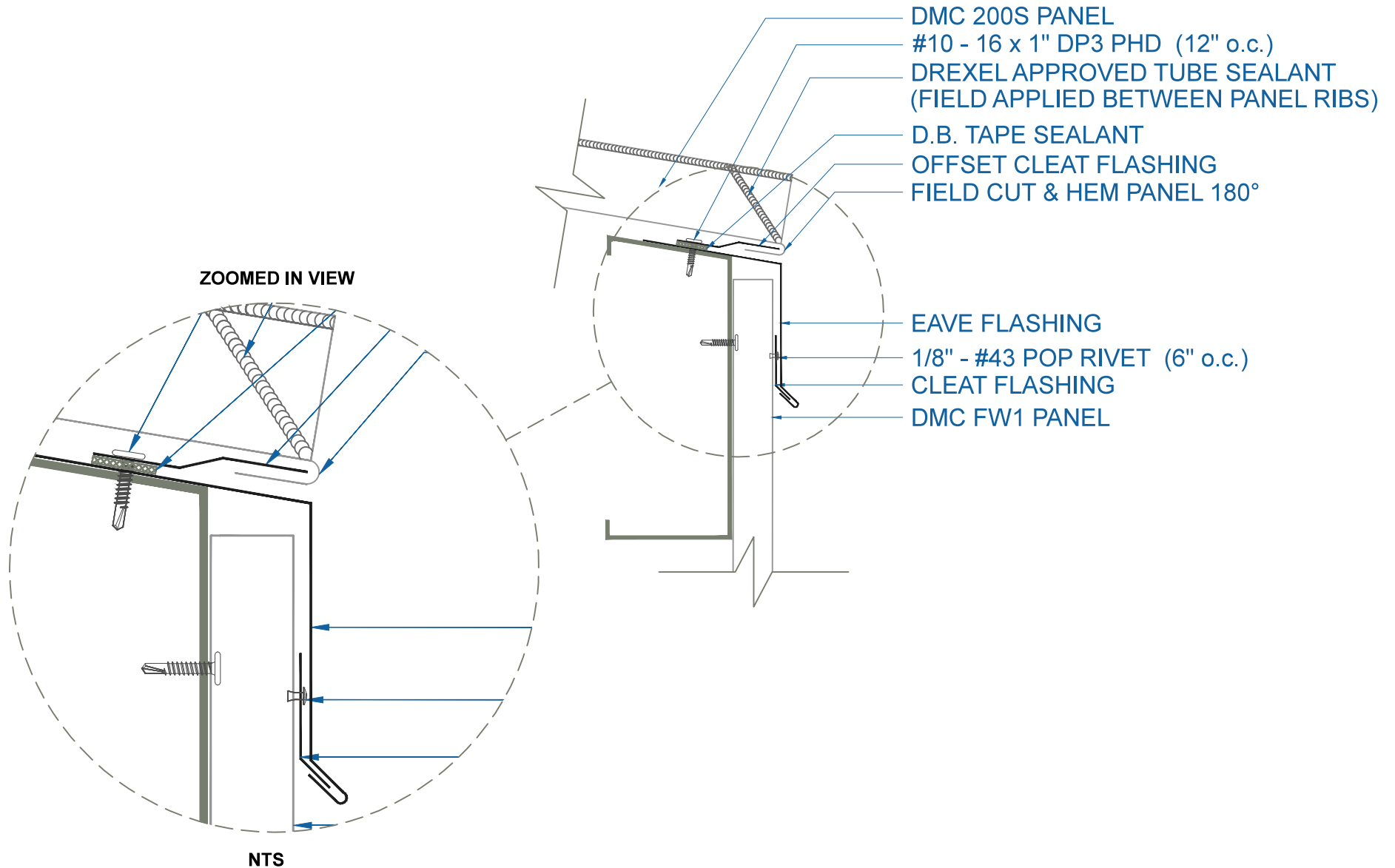


## DRIP EDGE

SCALE: 3" = 1'-0"

EFFECTIVE DATE: 11-18-16  
SUBJECT TO CHANGE WITHOUT NOTICE

# DMC 200S - OPEN FRAMING

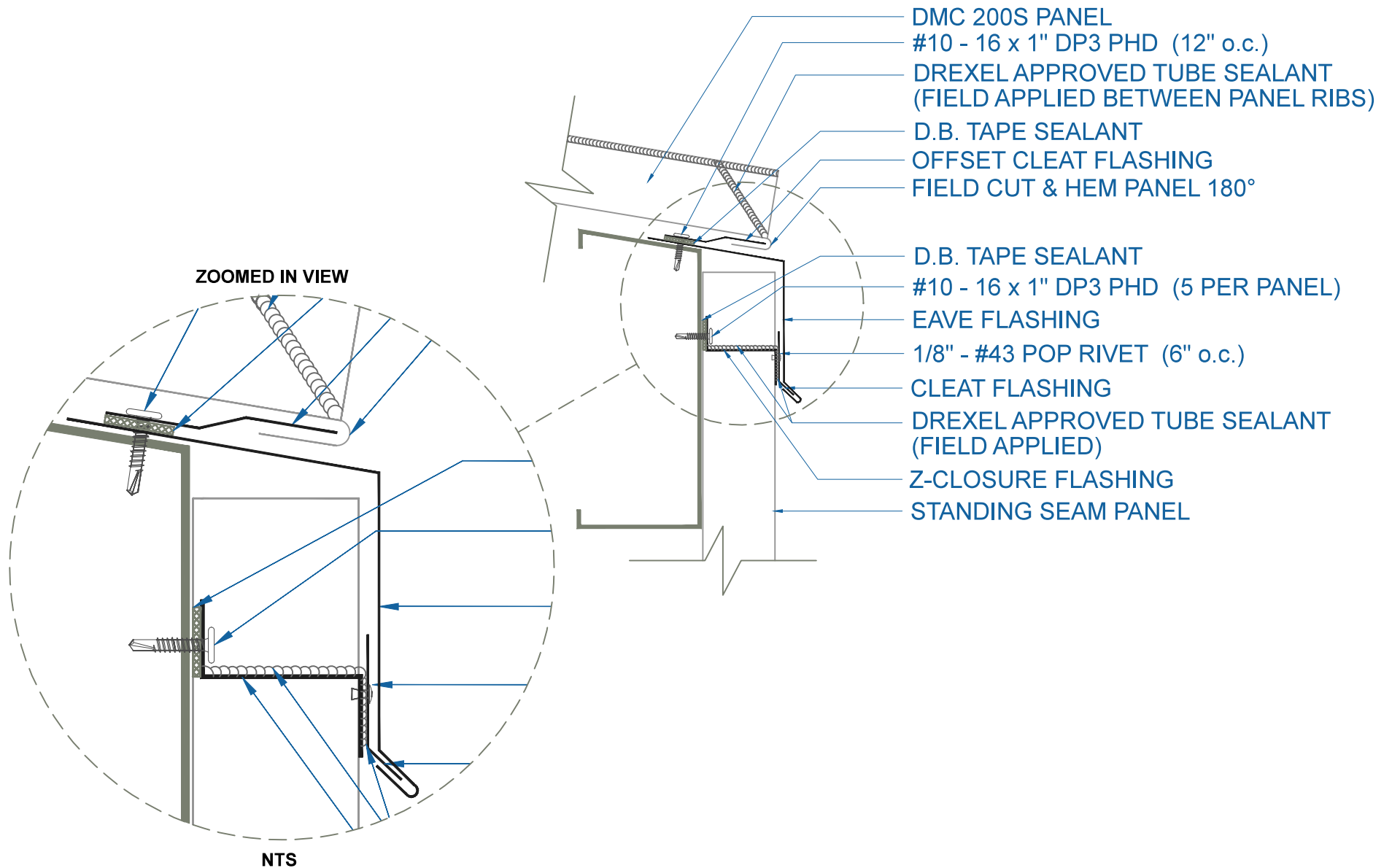


## EAVE w/FLUSH PANEL

SCALE: 3" = 1'-0"



# DMC 200S - OPEN FRAMING



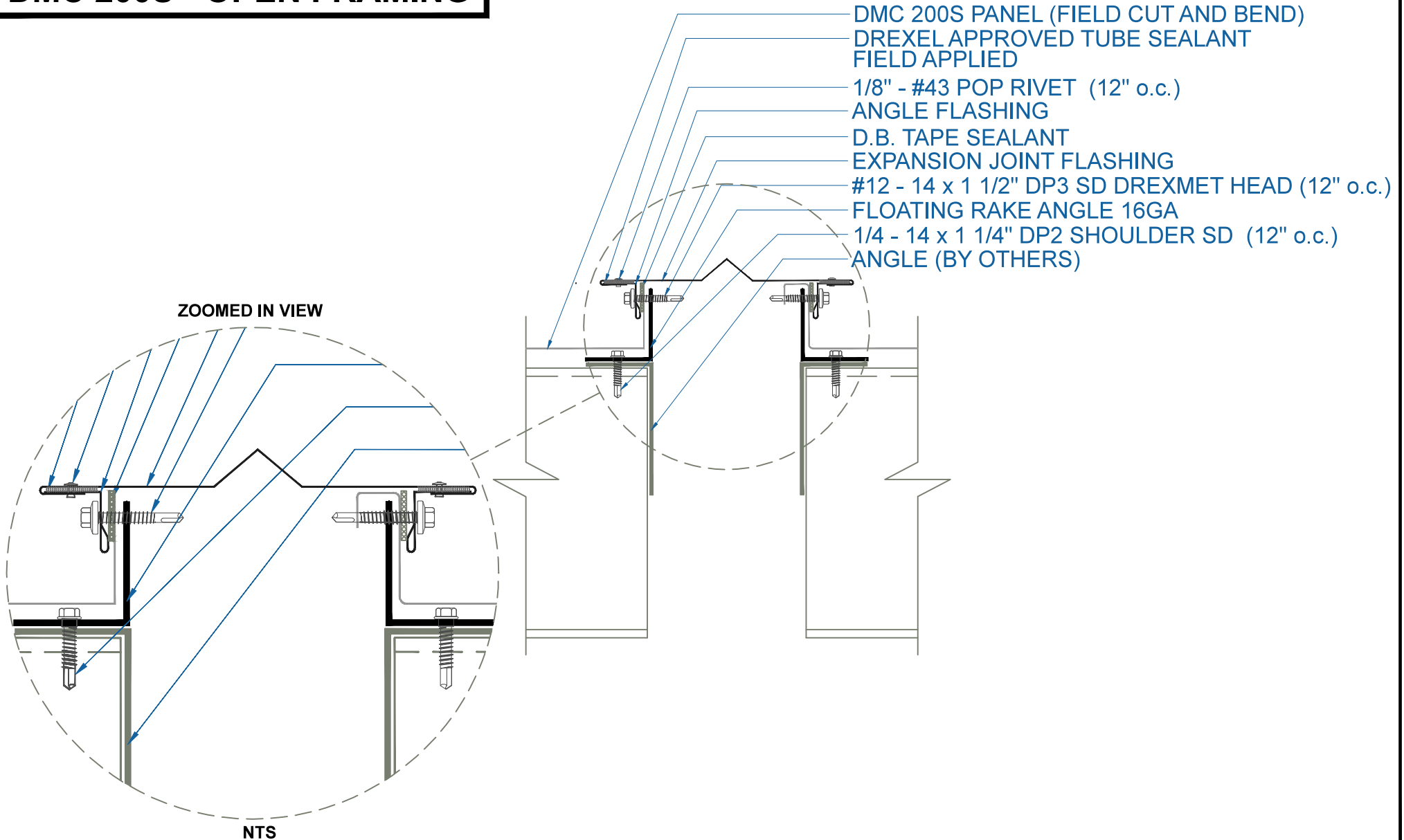
## EAVE w/STANDING SEAM PANEL

SCALE: 3" = 1'-0"

EFFECTIVE DATE: 12-12-12  
SUBJECT TO CHANGE WITHOUT NOTICE



# DMC 200S - OPEN FRAMING

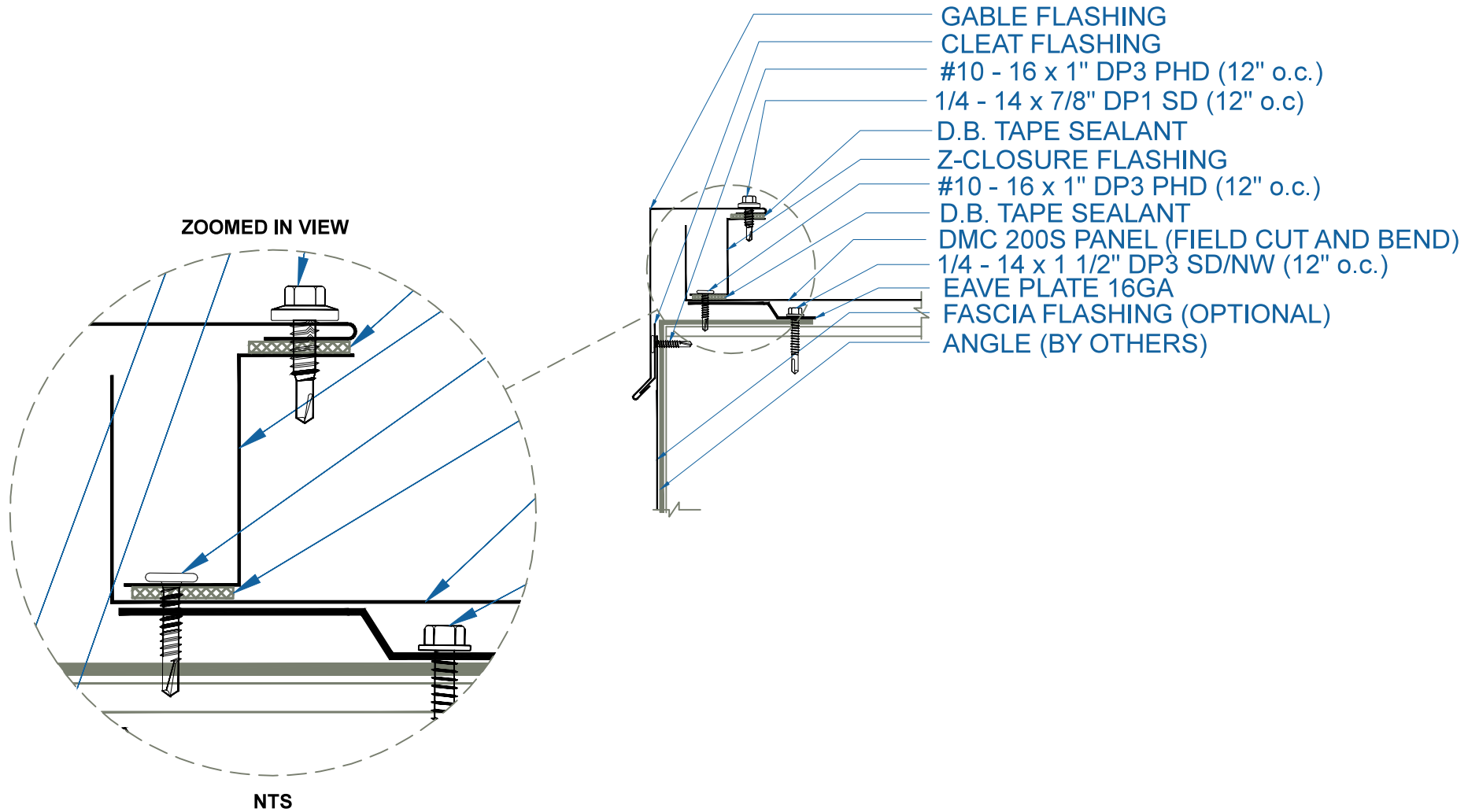


## EXPANSION JOINT

SCALE: 3" = 1'-0"

EFFECTIVE DATE: 12-12-12  
SUBJECT TO CHANGE WITHOUT NOTICE

# DMC 200S - OPEN FRAMING



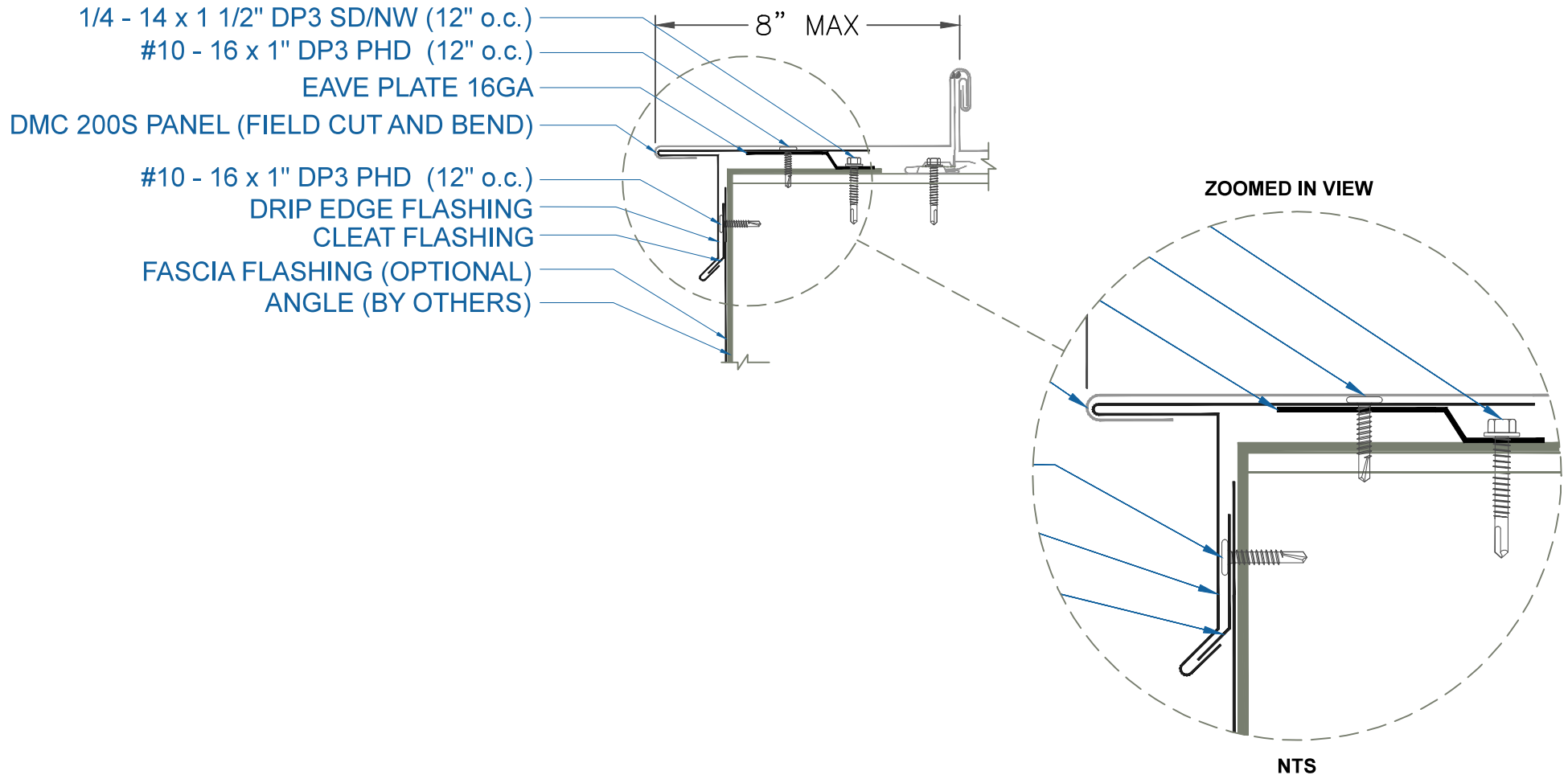
EFFECTIVE DATE: 01-16-14  
SUBJECT TO CHANGE WITHOUT NOTICE

**GABLE**  
SCALE: 3" = 1'-0"

**DrexelMetals**  
Roofing Systems + Custom Fabrication



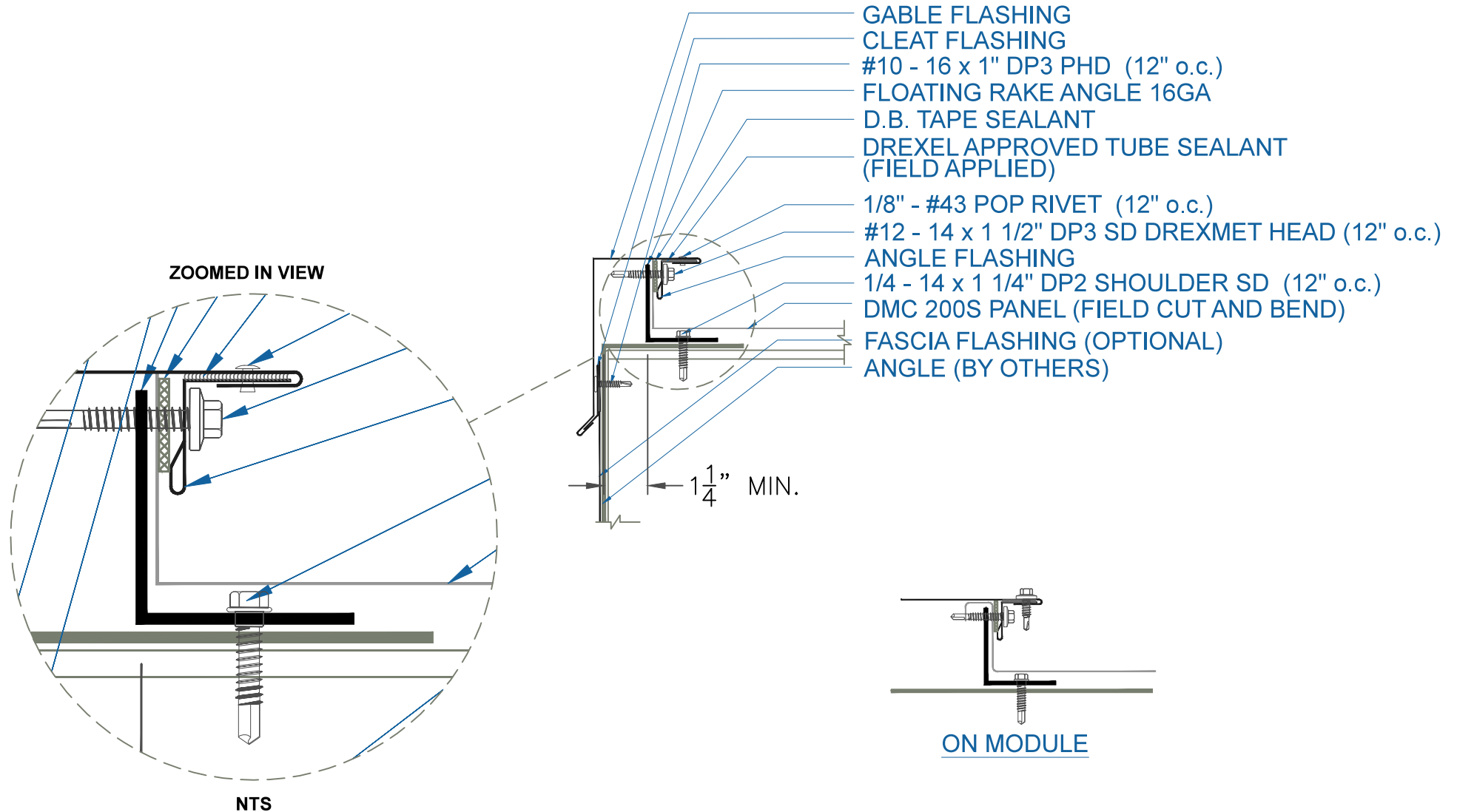
# DMC 200S - OPEN FRAMING



## GABLE ALTERNATE / CURVED

SCALE: 3" = 1'-0"

# DMC 200S - OPEN FRAMING



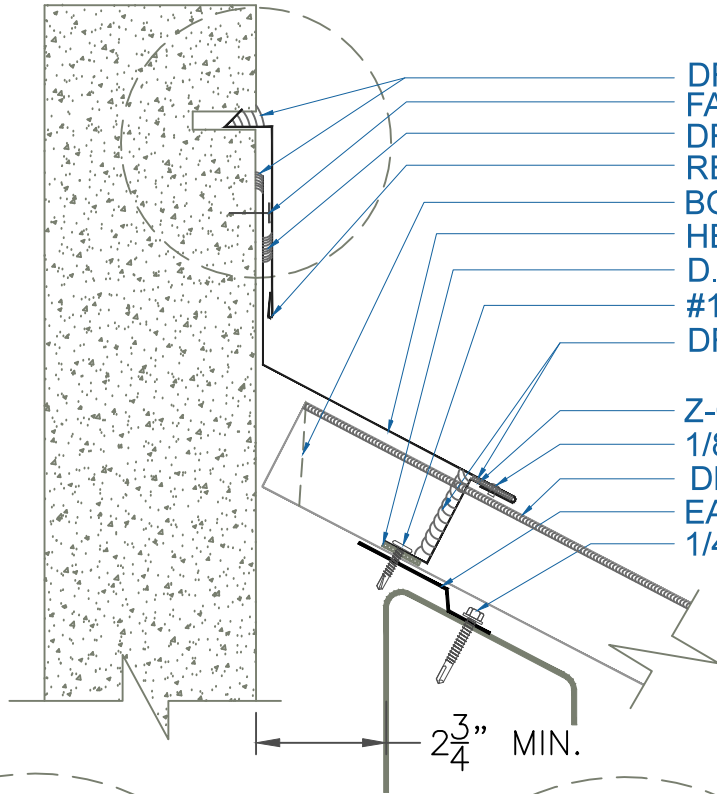
EFFECTIVE DATE: 12-12-12  
 SUBJECT TO CHANGE WITHOUT NOTICE

**GABLE**  
 SCALE: 3" = 1'-0"

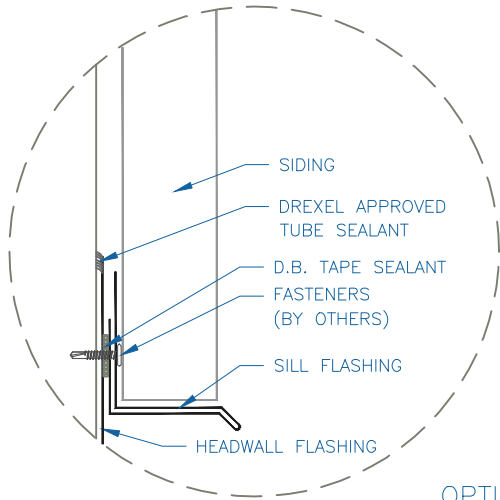
**DrexelMetals**  
 Roofing Systems + Custom Fabrication



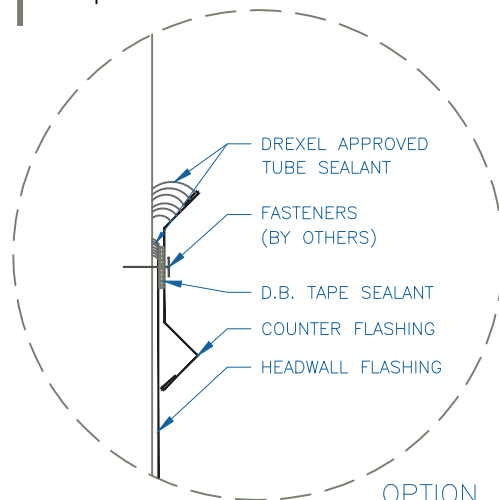
# DMC 200S - OPEN FRAMING



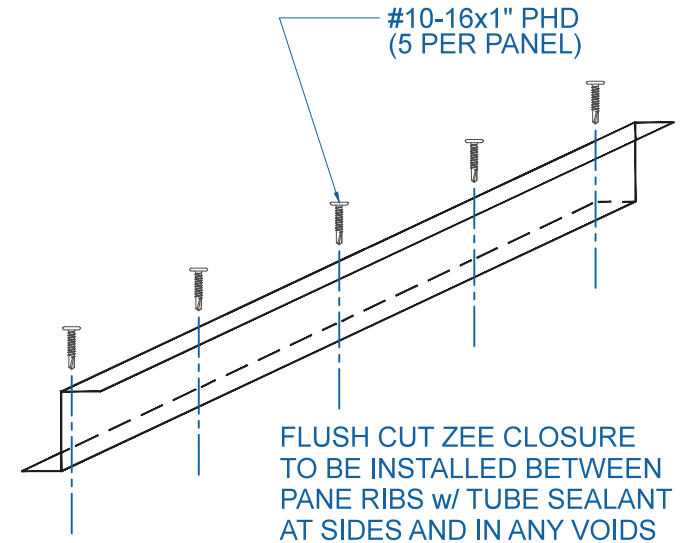
- DREXEL APPROVED TUBE SEALANT
- FASTENERS (BY OTHERS)
- DREXEL APPROVED TUBE SEALANT
- REGLET FLASHING
- BOX END OF PANEL
- HEADWALL FLASHING
- D.B. TAPE SEALANT
- #10 - 16 x 1" DP3 PHD (5 PER PANEL)
- DREXEL APPROVED TUBE SEALANT (FIELD APPLIED)
- Z-CLOSURE FLASHING
- 1/8" - #43 POP RIVET (18" o.c.)
- DMC 200S PANEL (FIELD CUT AND BEND)
- EAVE PLATE 16GA
- 1/4 - 14 x 1 1/2" DP3 SD/NW (12" o.c.)



OPTION 1



OPTION 2



#10-16x1" PHD  
(5 PER PANEL)

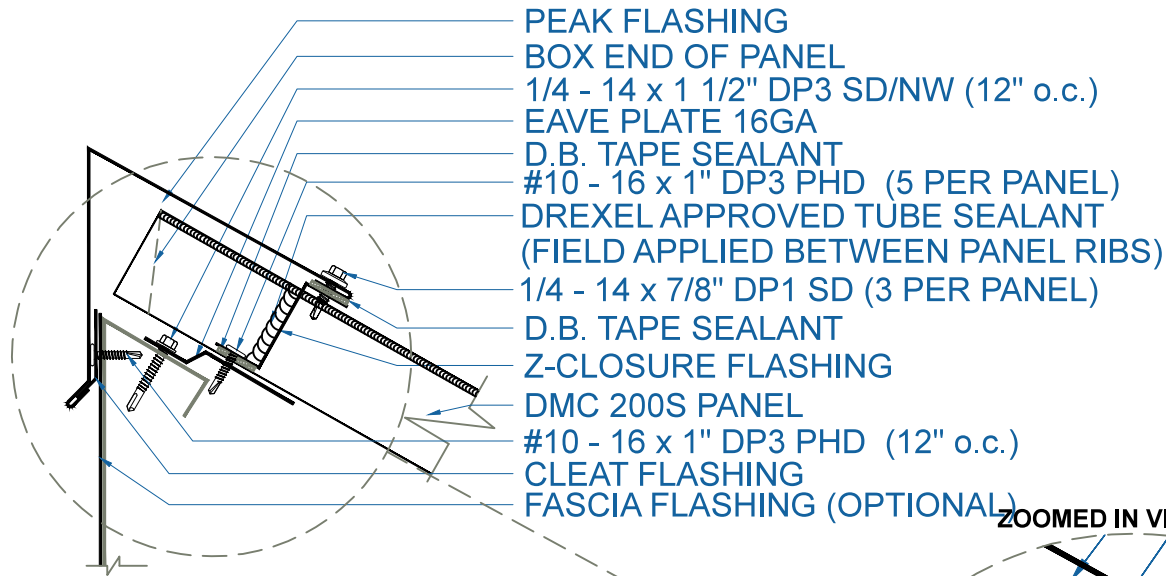
FLUSH CUT ZEE CLOSURE  
TO BE INSTALLED BETWEEN  
PANE RIBS w/ TUBE SEALANT  
AT SIDES AND IN ANY VOIDS

EFFECTIVE DATE: 12-12-12  
SUBJECT TO CHANGE WITHOUT NOTICE

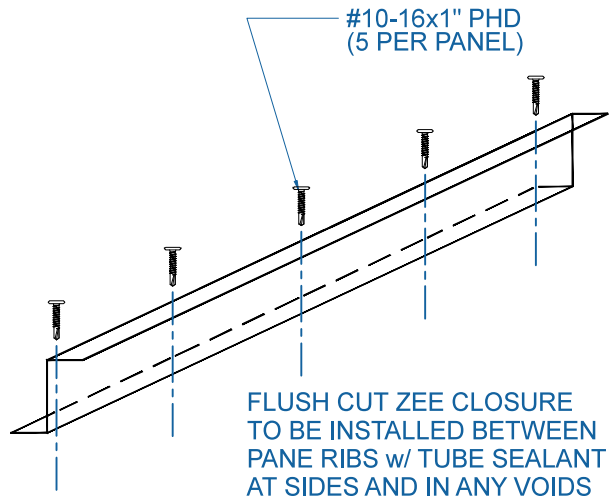
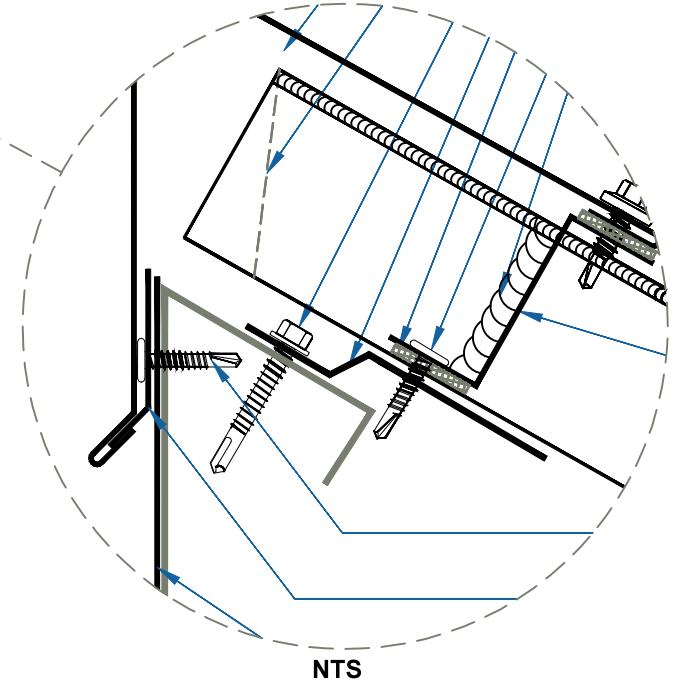
## HEADWALL

SCALE: 3" = 1'-0"

# DMC 200S - OPEN FRAMING



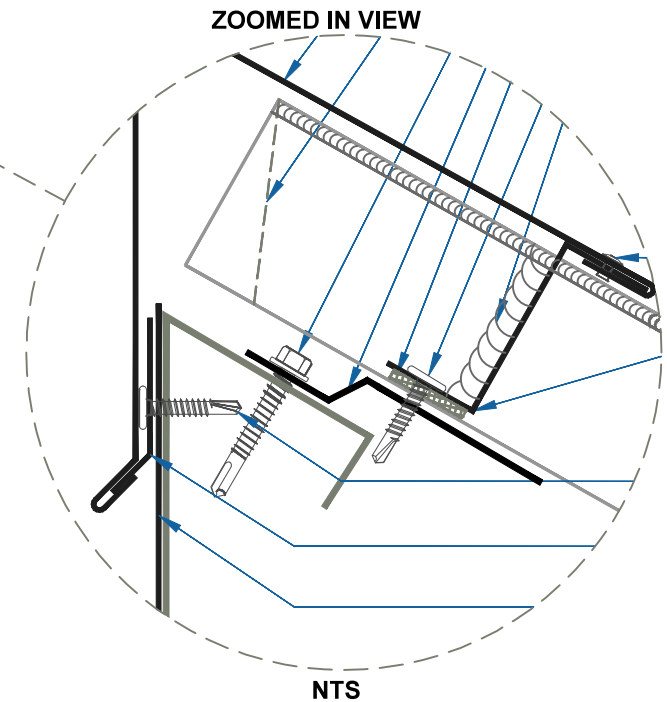
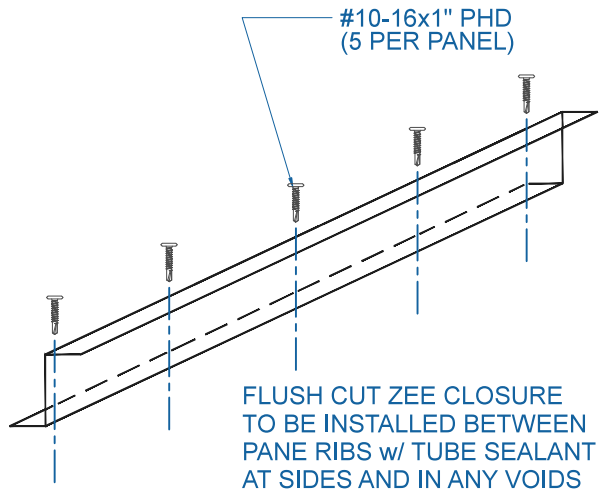
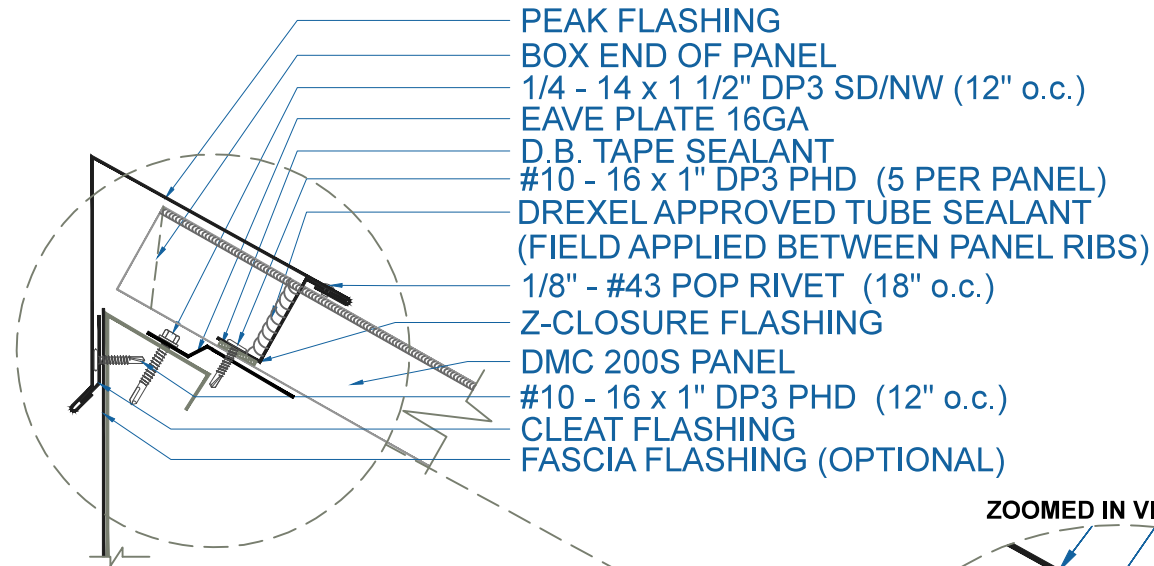
ZOOMED IN VIEW



EFFECTIVE DATE: 01-16-14  
 SUBJECT TO CHANGE WITHOUT NOTICE

**PEAK**  
 SCALE: 3" = 1'-0"

# DMC 200S - OPEN FRAMING



EFFECTIVE DATE: 12-12-12  
 SUBJECT TO CHANGE WITHOUT NOTICE

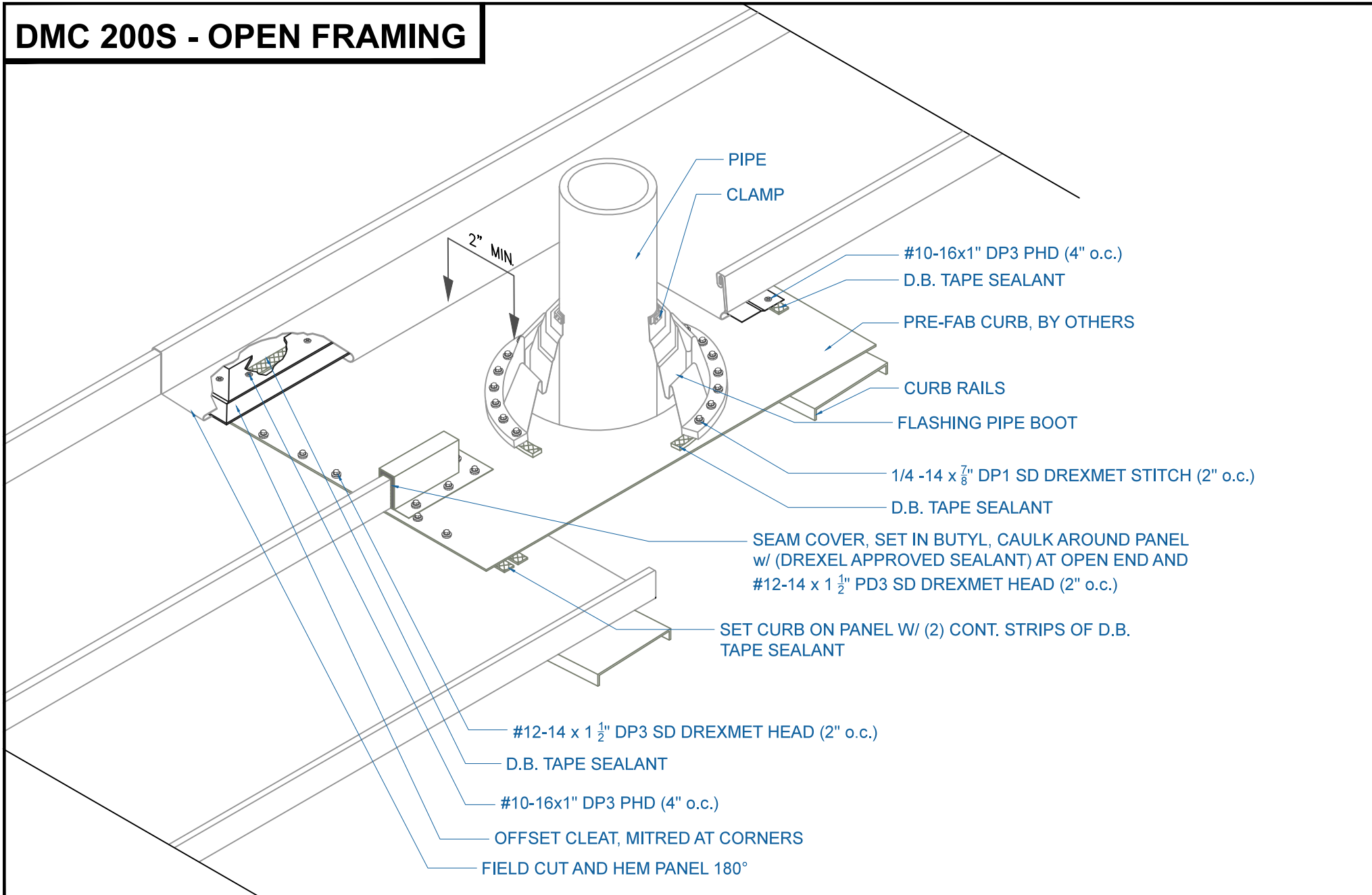
**PEAK**  
 SCALE: 3" = 1'-0"

**DrexelMetals**  
 Roofing Systems + Custom Fabrication





# DMC 200S - OPEN FRAMING



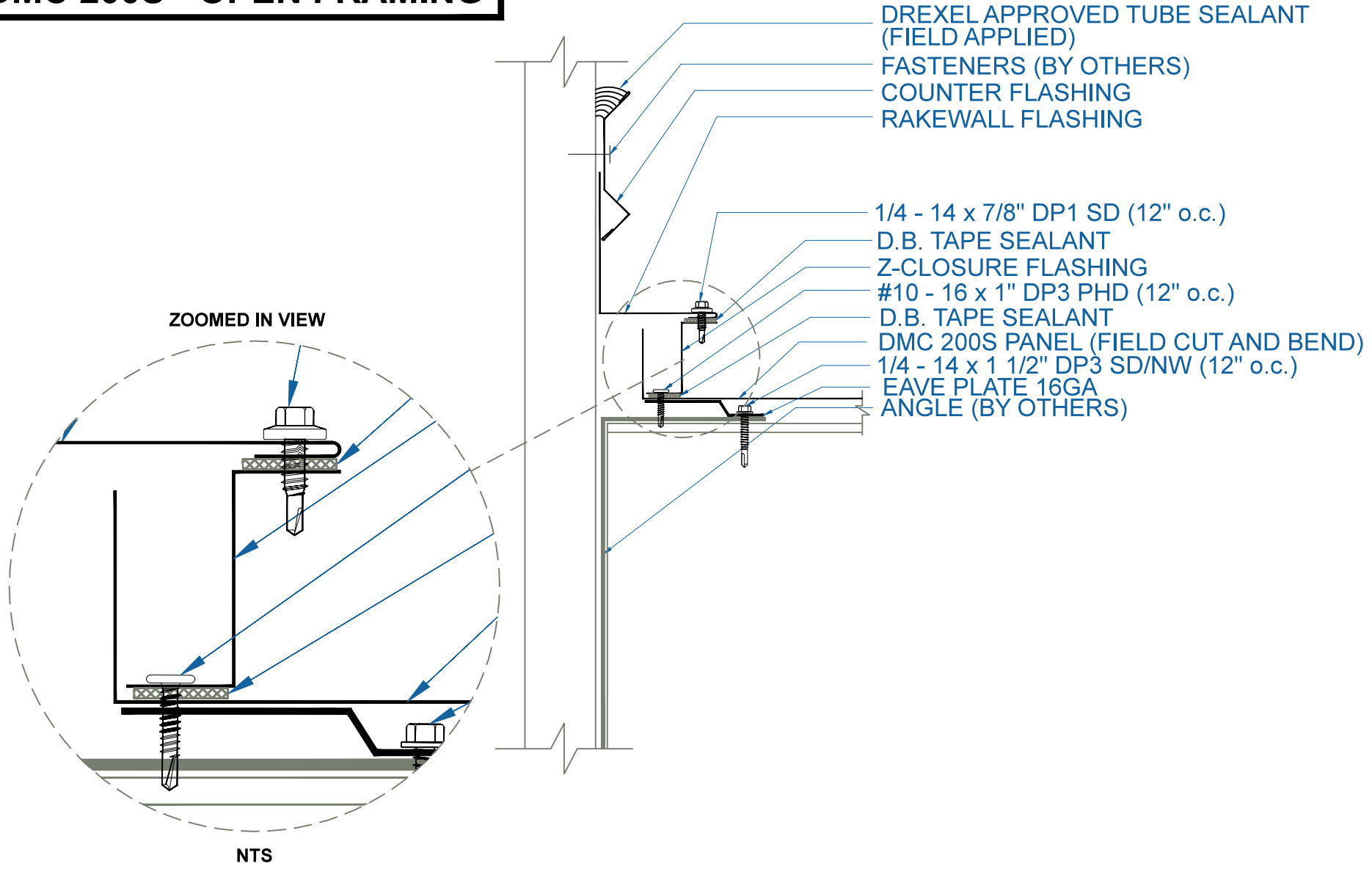
## PIPE FLASHING DETAIL

SCALE: NTS

**DrexelMetals**  
Roofing Systems + Custom Fabrication

EFFECTIVE DATE: 12-12-12  
SUBJECT TO CHANGE WITHOUT NOTICE

# DMC 200S - OPEN FRAMING



EFFECTIVE DATE: 01-16-14  
SUBJECT TO CHANGE WITHOUT NOTICE

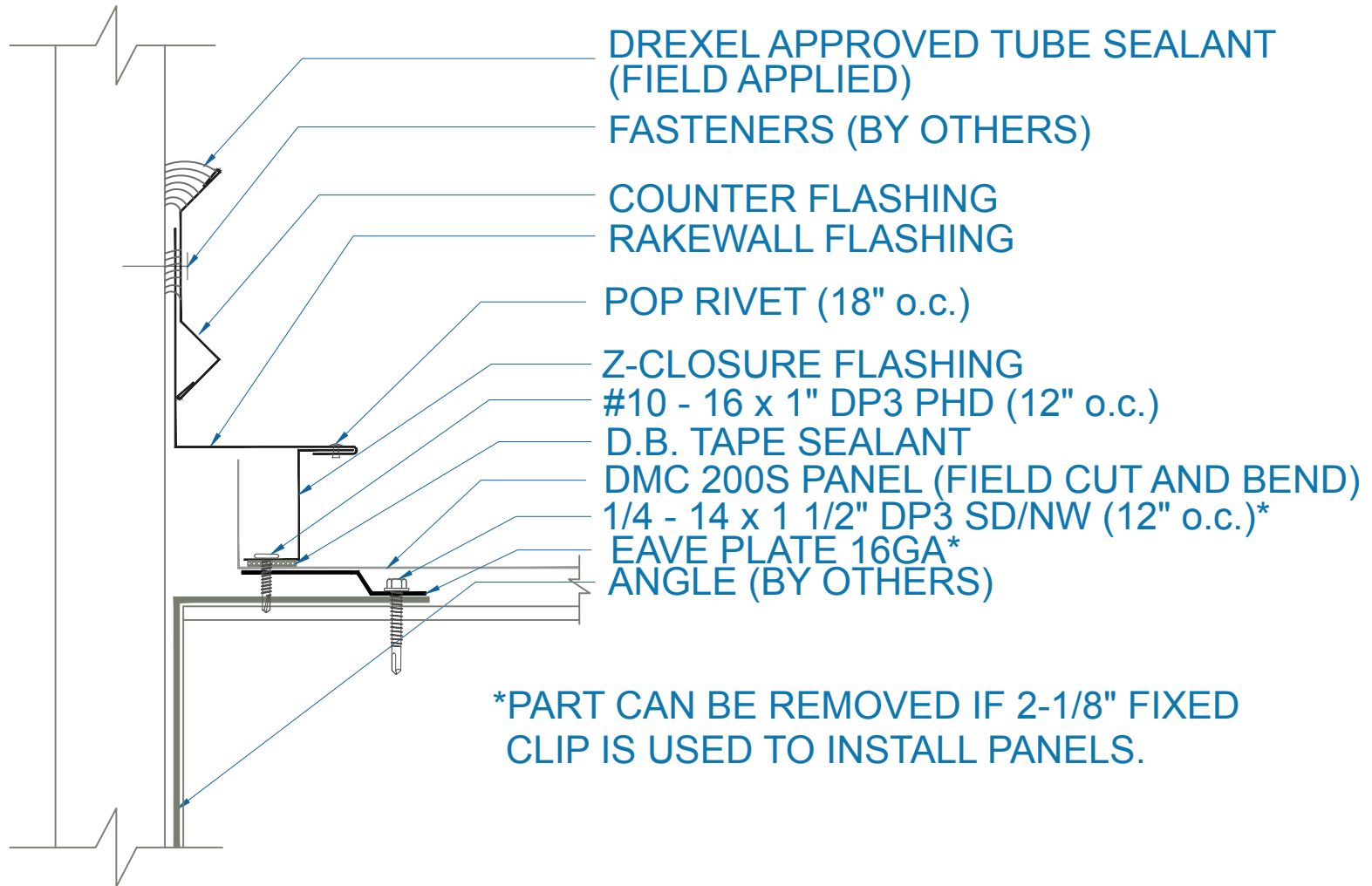
## RAKEWALL

SCALE: 3" = 1'-0"

**DrexelMetals**  
Roofing Systems + Custom Fabrication



# DMC 200S - OPEN FRAMING



EFFECTIVE DATE: 03-1-17  
SUBJECT TO CHANGE WITHOUT NOTICE

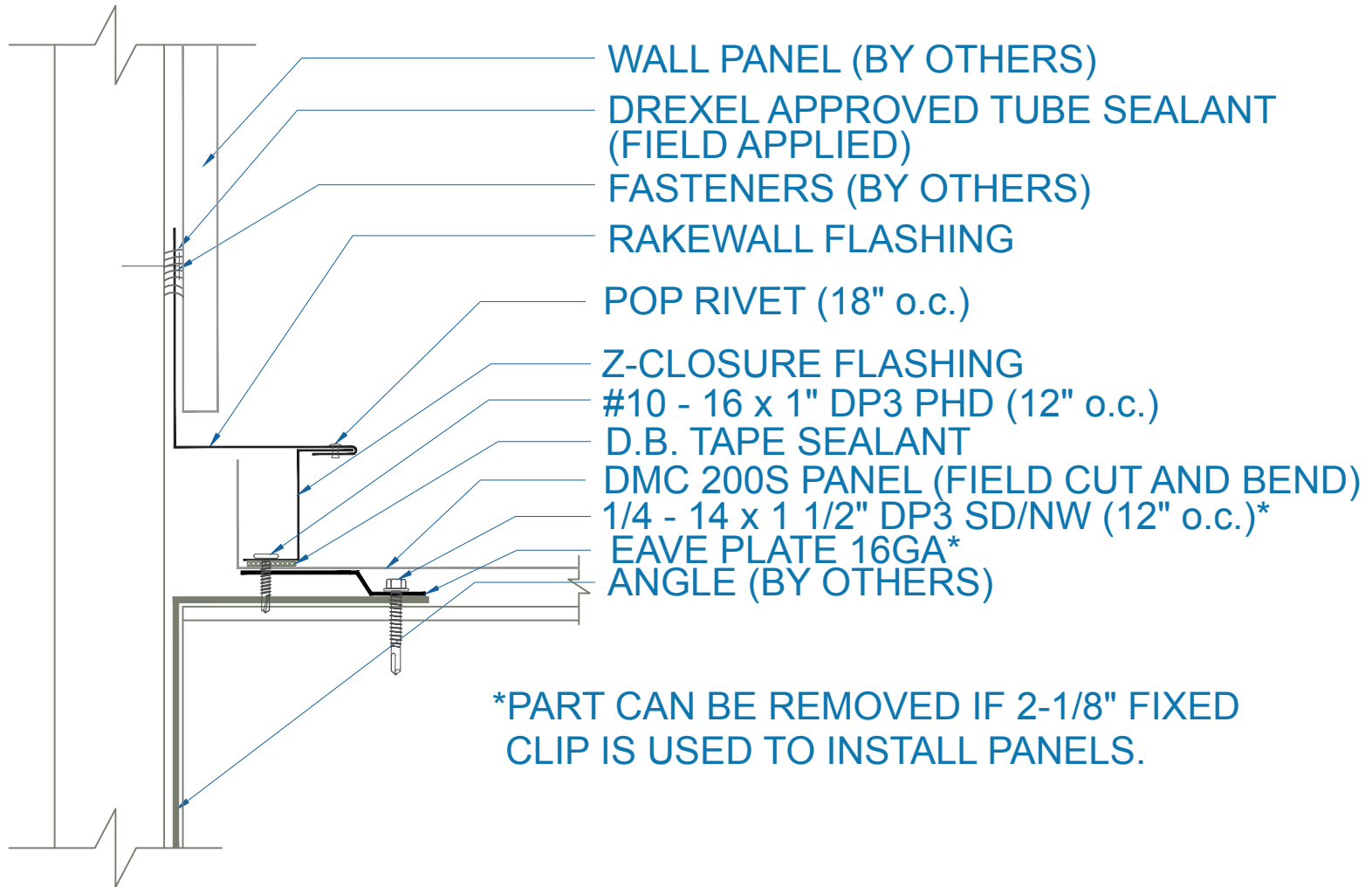
## RAKEWALL

SCALE: 4" = 1'-0"

**DrexelMetals**  
Roofing Systems + Custom Fabrication



# DMC 200S - OPEN FRAMING



EFFECTIVE DATE: 03-1-17  
SUBJECT TO CHANGE WITHOUT NOTICE

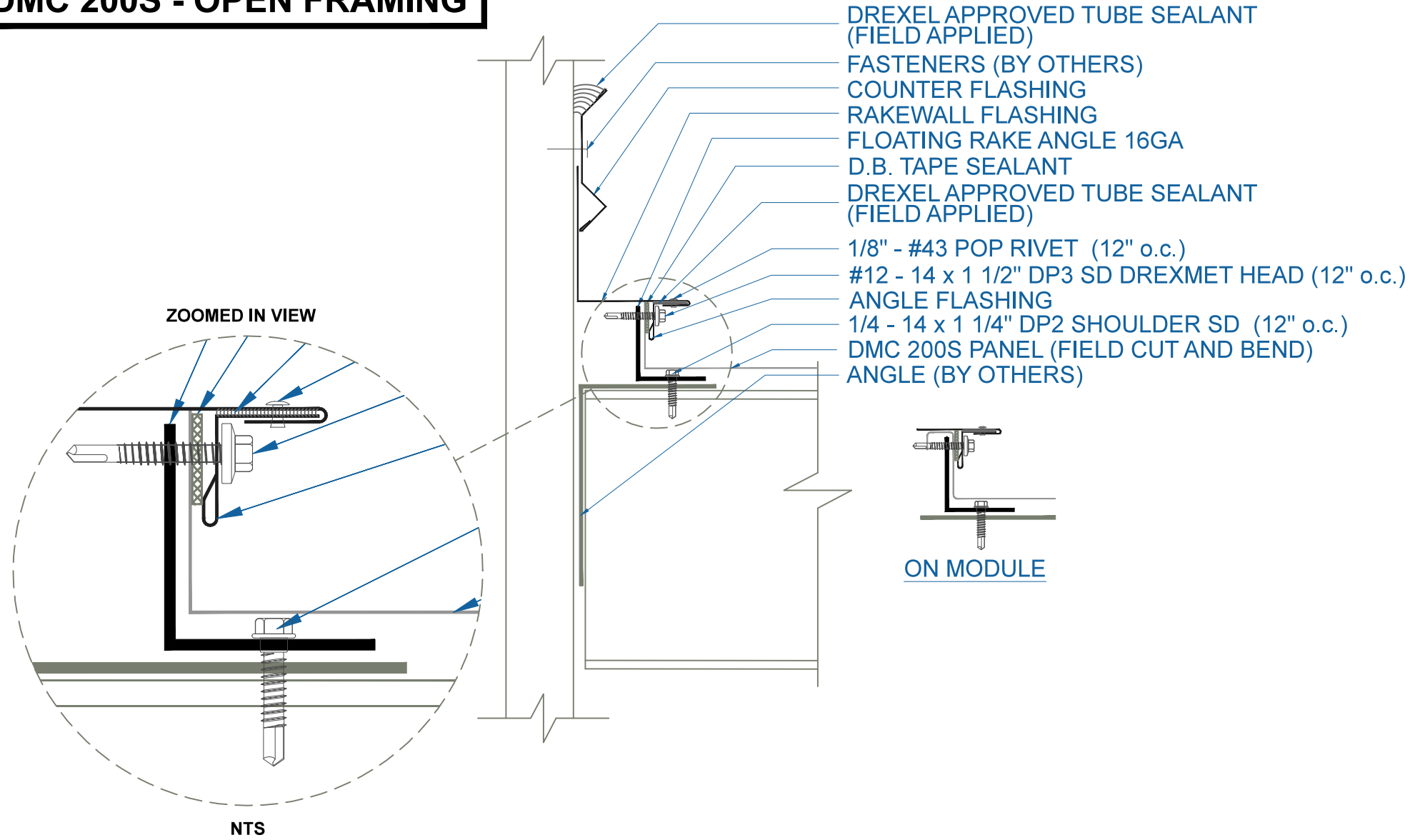
## RAKEWALL

SCALE: 4" = 1'-0"

**Drexel Metals**  
Roofing Systems + Custom Fabrication



# DMC 200S - OPEN FRAMING

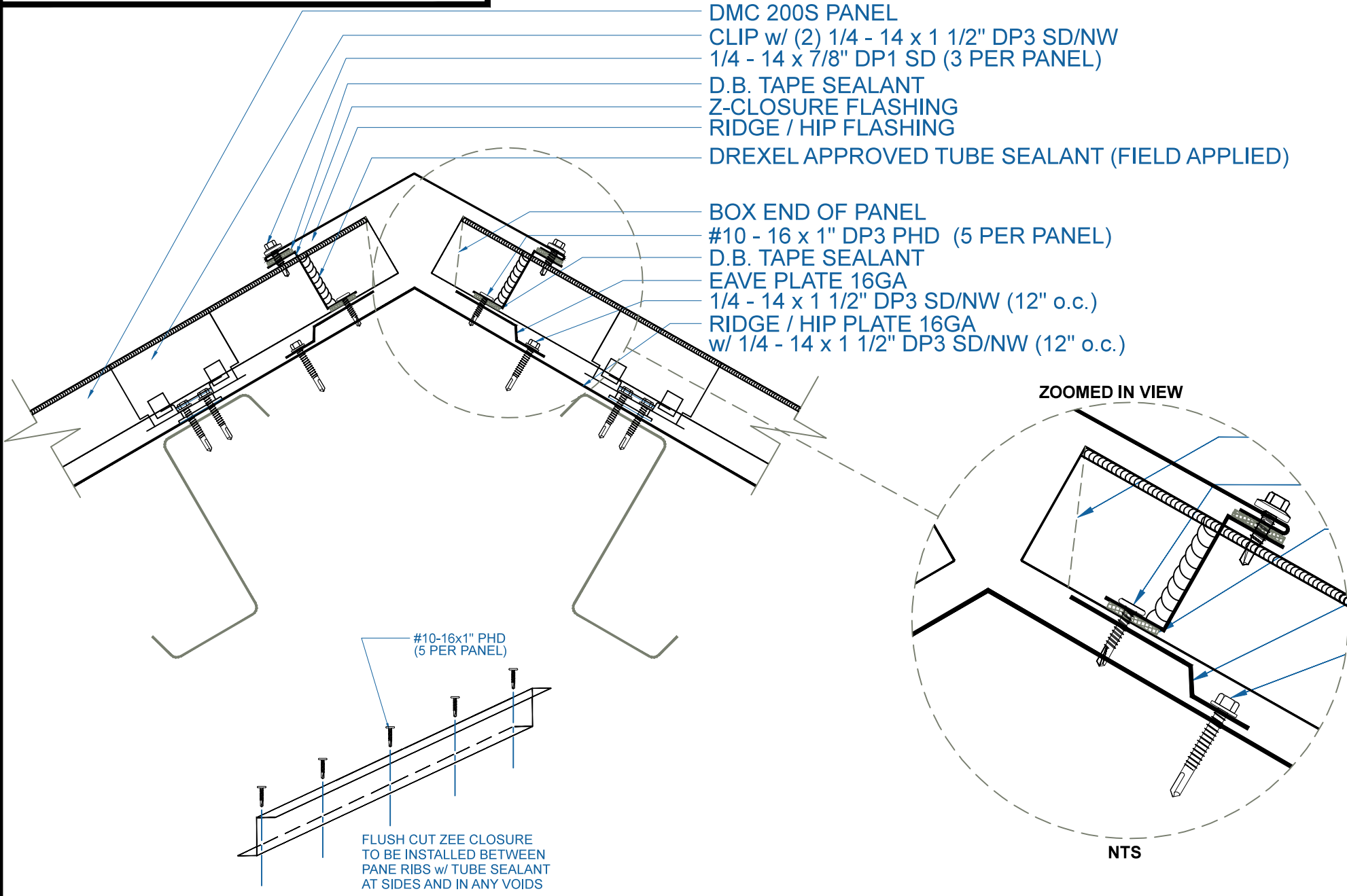


EFFECTIVE DATE: 12-12-12  
 SUBJECT TO CHANGE WITHOUT NOTICE

**RAKEWALL**

SCALE: 3" = 1'-0"

# DMC 200S - OPEN FRAMING

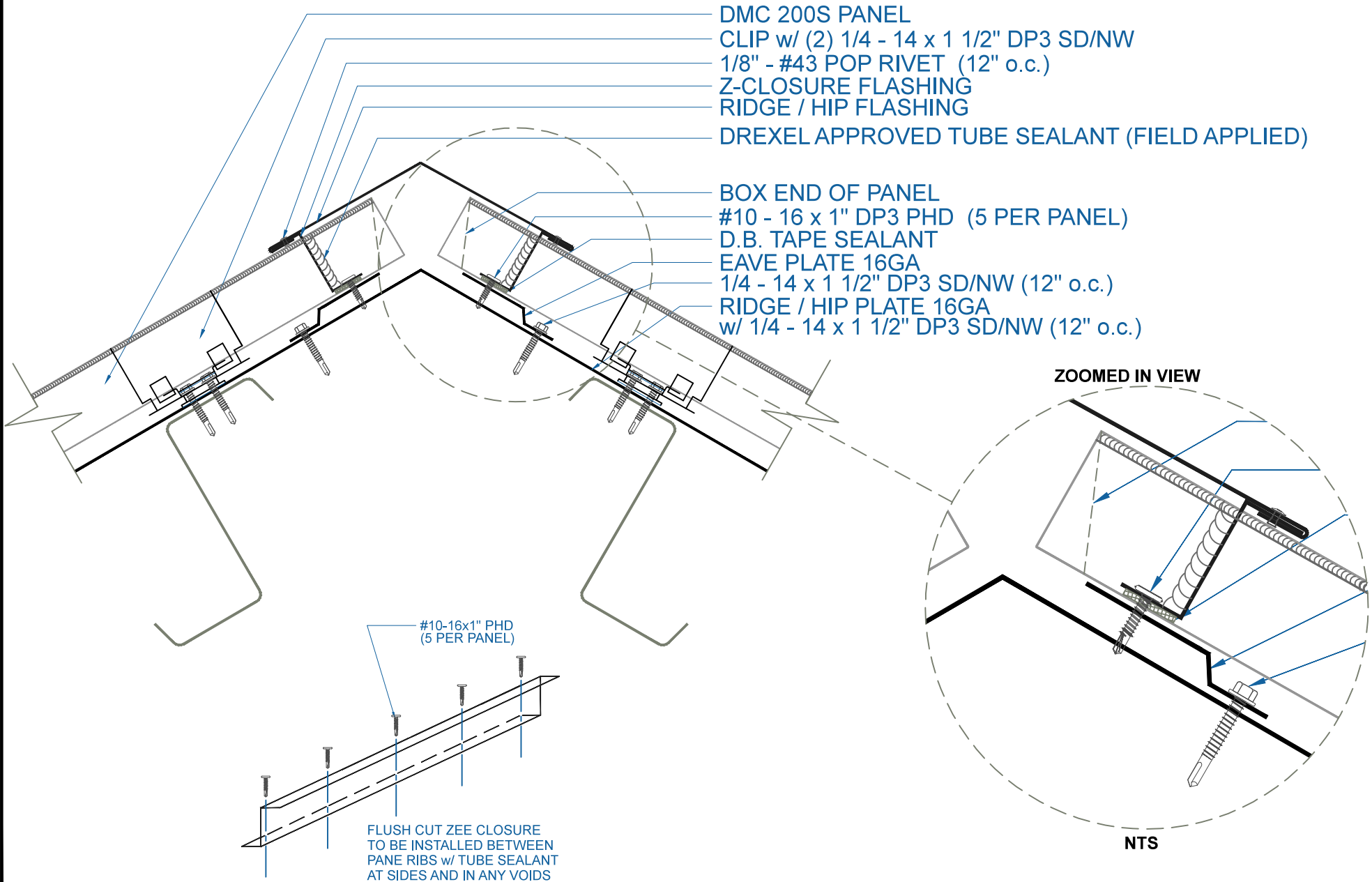


EFFECTIVE DATE: 01-16-14  
 SUBJECT TO CHANGE WITHOUT NOTICE

## RIDGE / HIP

SCALE: 3" = 1'-0"

# DMC 200S - OPEN FRAMING



EFFECTIVE DATE: 12-12-12  
SUBJECT TO CHANGE WITHOUT NOTICE

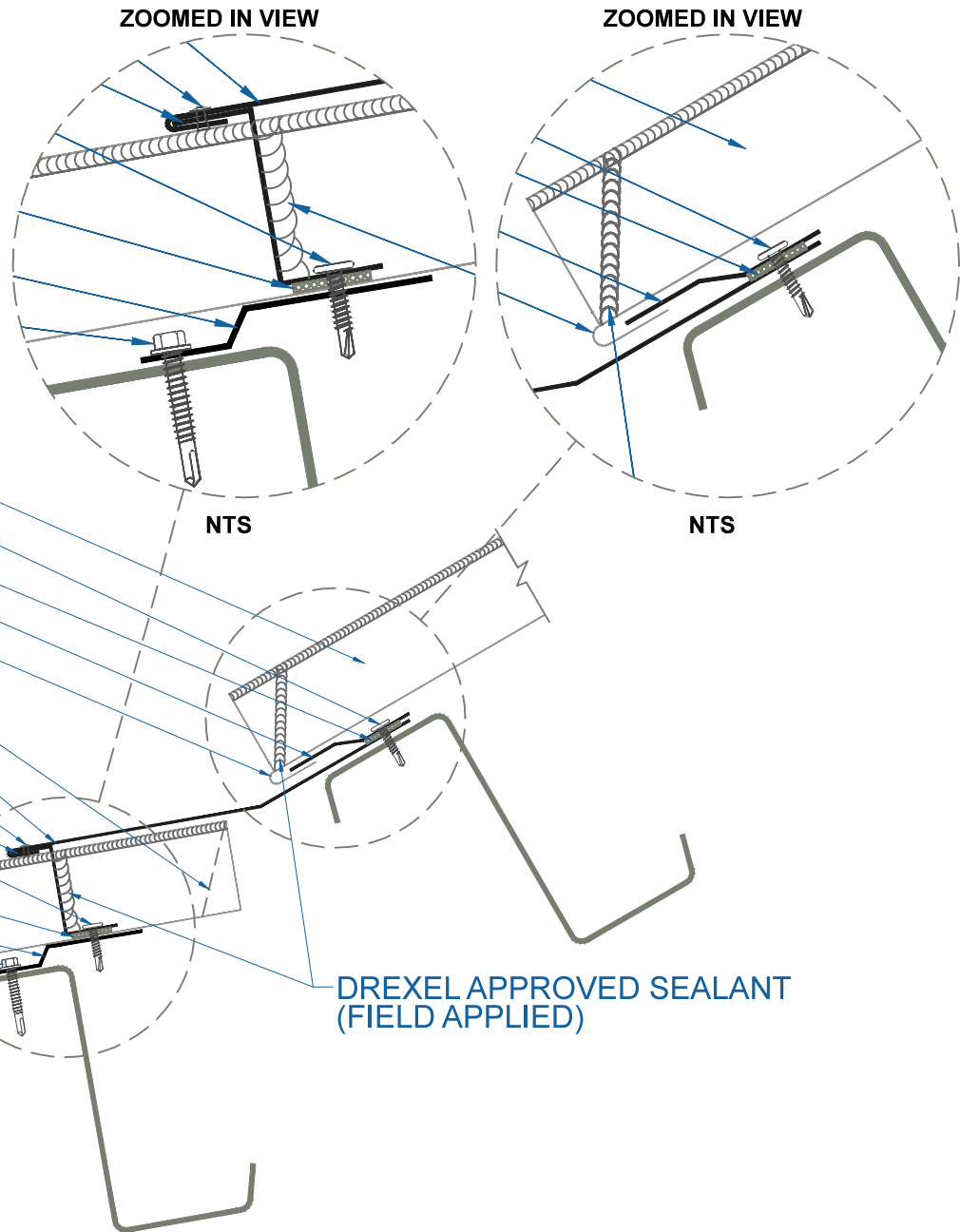
## RIDGE / HIP

SCALE: 3" = 1'-0"

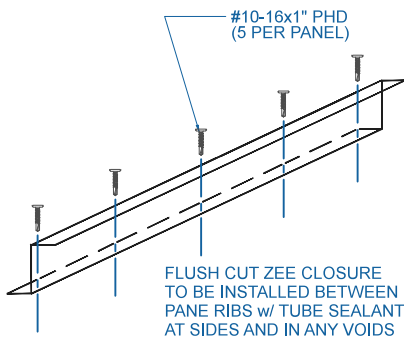
**DrexelMetals**  
Roofing Systems + Custom Fabrication



# DMC 200S - OPEN FRAMING



- DMC 200S PANEL
- #10 - 16 x 1" DP3 PHD (12" o.c.)
- D.B. TAPE SEALANT
- OFFSET CLEAT FLASHING
- FIELD CUT & HEM PANEL 180°
- BOX END OF PANEL
- TRANSITION FLASHING
- 1/8" - #43 POP RIVET (12" o.c.)
- Z-CLOSURE
- #10 - 16 x 1" DP3 PHD (5 PER PANEL)
- D.B. TAPE SEALANT
- EAVE PLATE 16GA
- 1/4 - 14 x 1 1/2" DP3 SD/NW (12" o.c.)
- DMC 200S PANEL



## TRANSITION

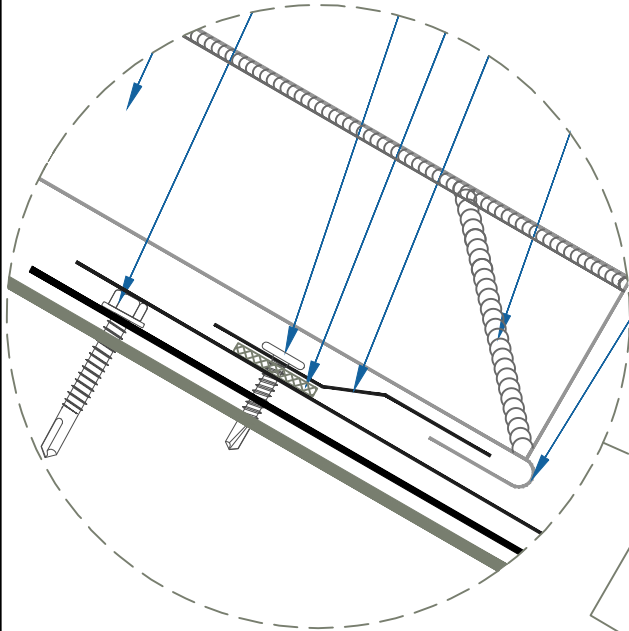
SCALE: 3" = 1'-0"

EFFECTIVE DATE: 12-12-12  
SUBJECT TO CHANGE WITHOUT NOTICE

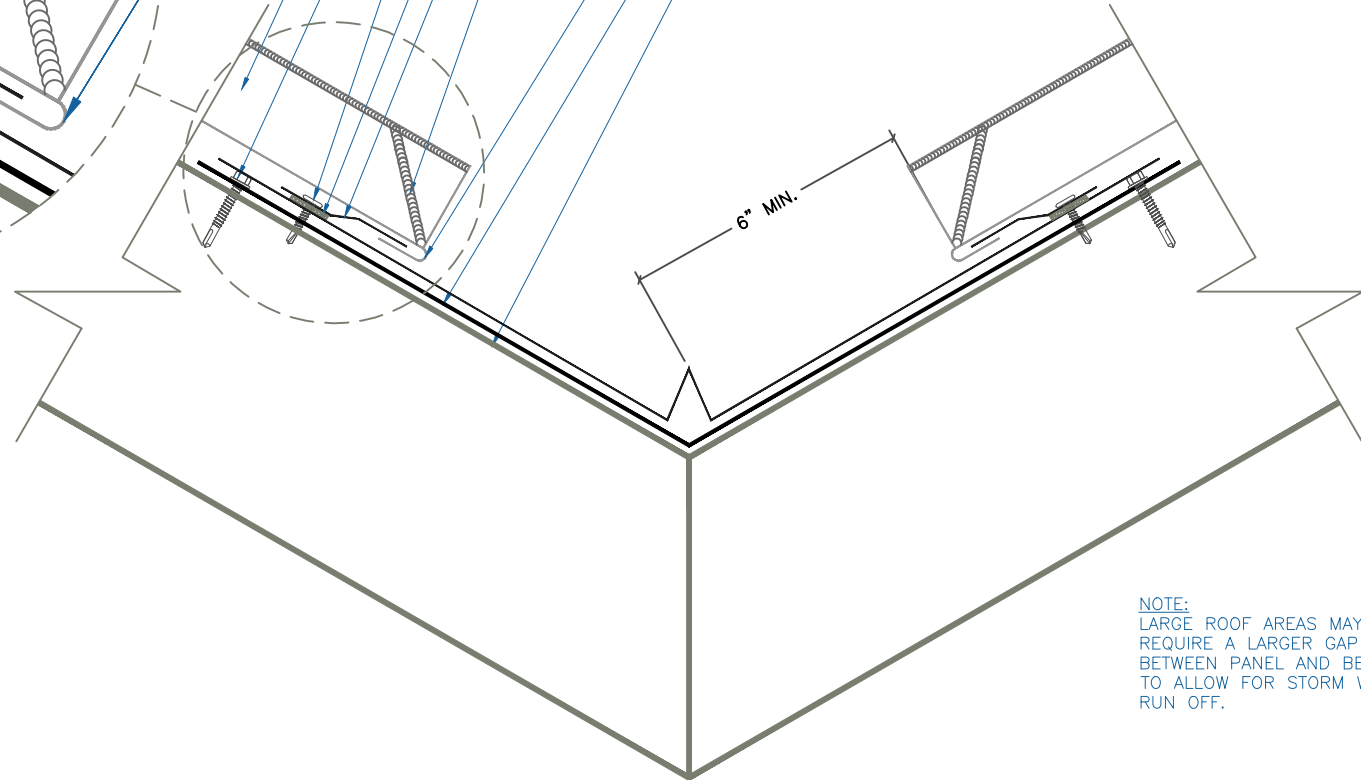


# DMC 200S - OPEN FRAMING

ZOOMED IN VIEW



- DMC 200S PANEL
- 1/4 - 14 x 1 1/2" DP3 SD/NW (@ EVERY PURLIN)
- #10 - 16 x 1" DP3 PHD (12" o.c.)
- D.B. TAPE SEALANT
- OFFSET CLEAT FLASHING
- DREXEL APPROVED TUBE SEALANT (FIELD APPLIED)
- FIELD CUT & HEM PANEL 180°
- VALLEY PLATE 16GA
- VALLEY W / DIVERTER FLASHING



NOTE:  
LARGE ROOF AREAS MAY  
REQUIRE A LARGER GAP  
BETWEEN PANEL AND BEND  
TO ALLOW FOR STORM WATER  
RUN OFF.

EFFECTIVE DATE: 12-12-12  
SUBJECT TO CHANGE WITHOUT NOTICE

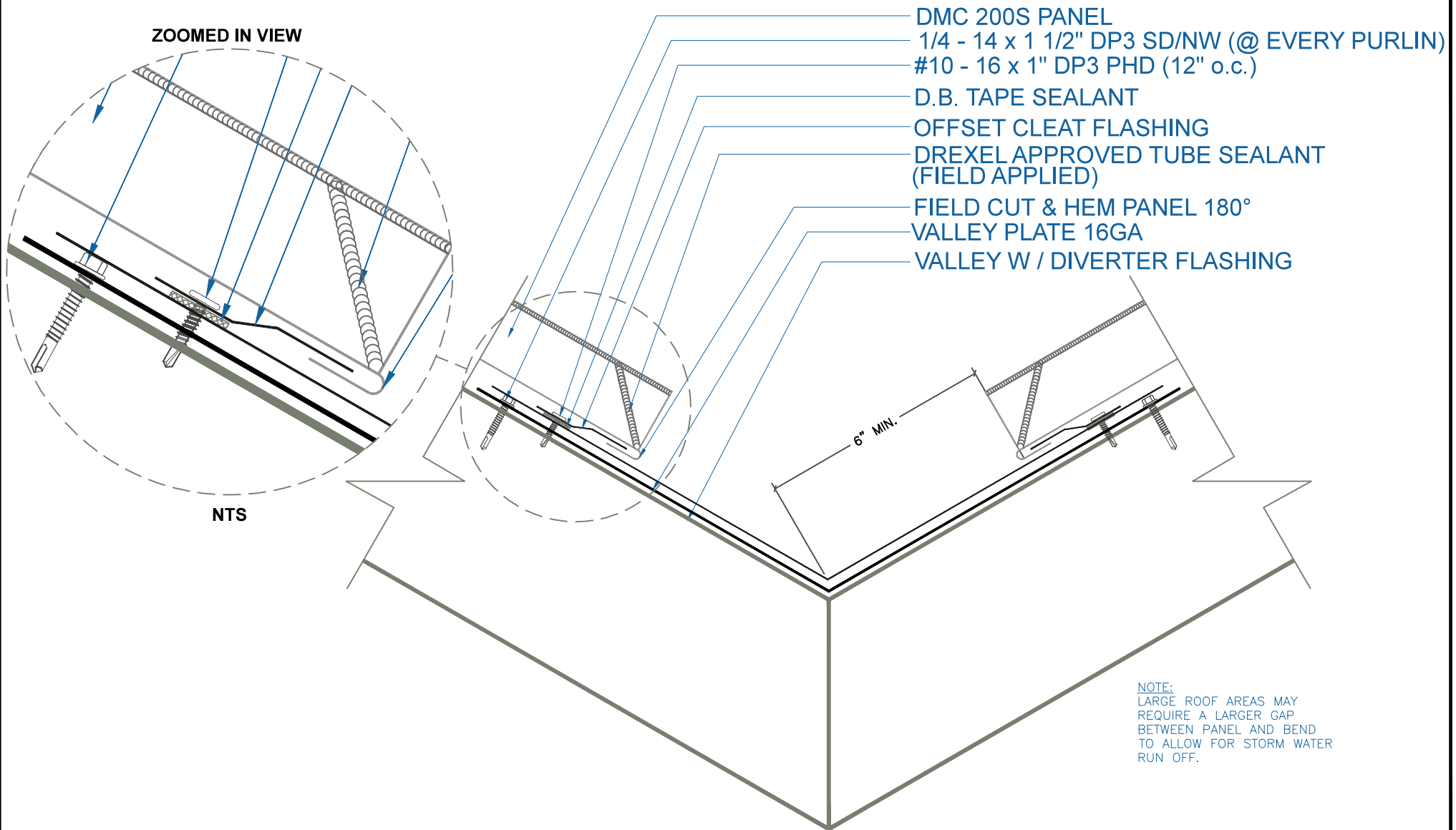
## VALLEY W / DIVERTER

SCALE: 3" = 1'-0"

**DrexelMetals**  
Roofing Systems + Custom Fabrication



# DMC 200S - OPEN FRAMING



ZOOMED IN VIEW

NTS

6" MIN.

- DMC 200S PANEL
- 1/4 - 14 x 1 1/2" DP3 SD/NW (@ EVERY PURLIN)
- #10 - 16 x 1" DP3 PHD (12" o.c.)
- D.B. TAPE SEALANT
- OFFSET CLEAT FLASHING
- DREXEL APPROVED TUBE SEALANT (FIELD APPLIED)
- FIELD CUT & HEM PANEL 180°
- VALLEY PLATE 16GA
- VALLEY W / DIVERTER FLASHING

NOTE:  
LARGE ROOF AREAS MAY  
REQUIRE A LARGER GAP  
BETWEEN PANEL AND BEND  
TO ALLOW FOR STORM WATER  
RUN OFF.

EFFECTIVE DATE: 12-12-12  
SUBJECT TO CHANGE WITHOUT NOTICE

## VALLEY W/O DIVERTER

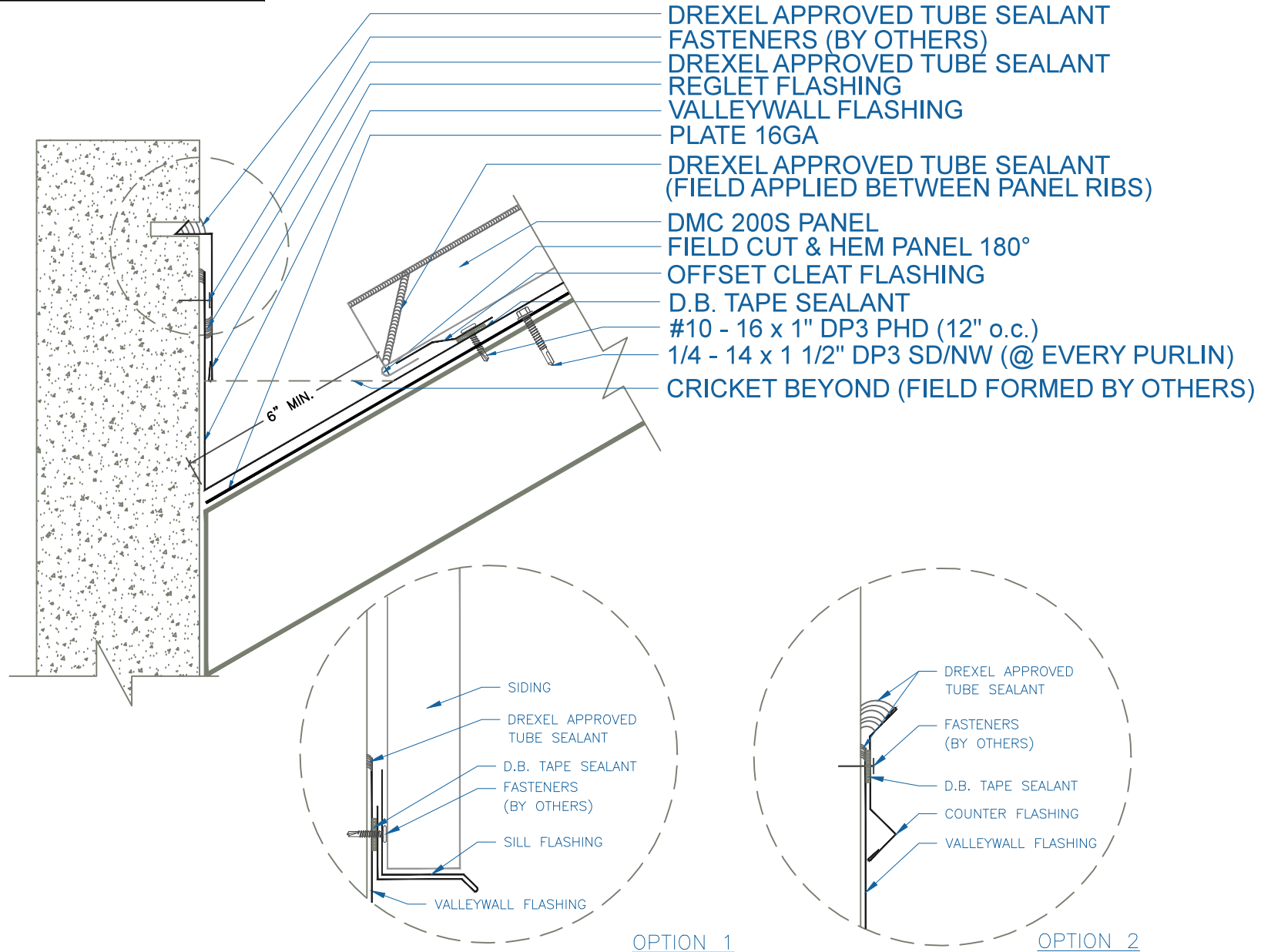
SCALE: 3" = 1'-0"

**DrexelMetals**  
Roofing Systems + Custom Fabrication



# DMC 200S - OPEN FRAMING

NOTE:  
LARGE ROOF AREAS MAY  
REQUIRE A LARGER GAP  
BETWEEN PANEL AND  
BEND TO ALLOW FOR  
STORM WATER RUN OFF.



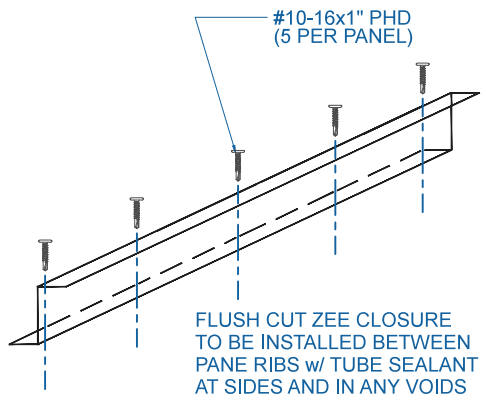
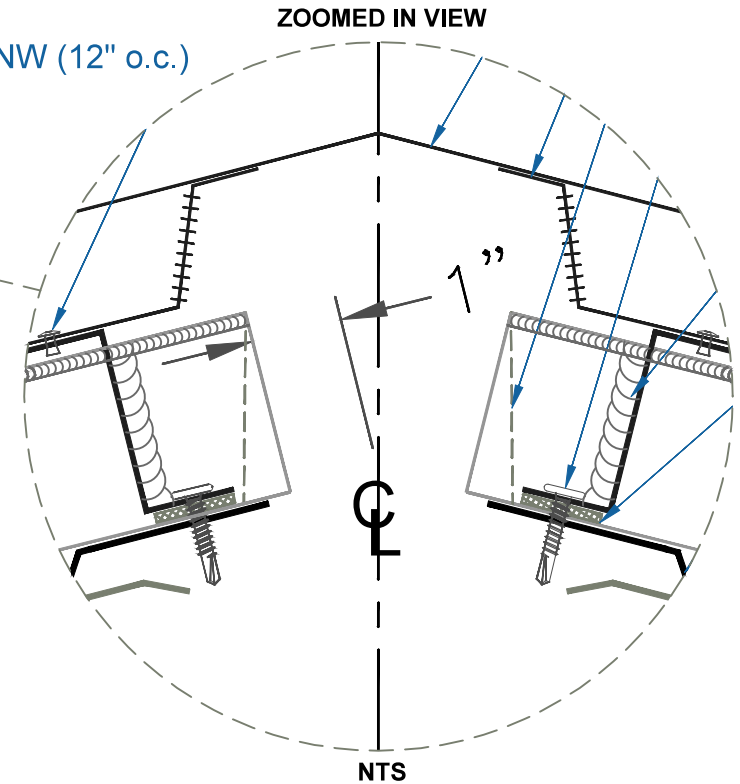
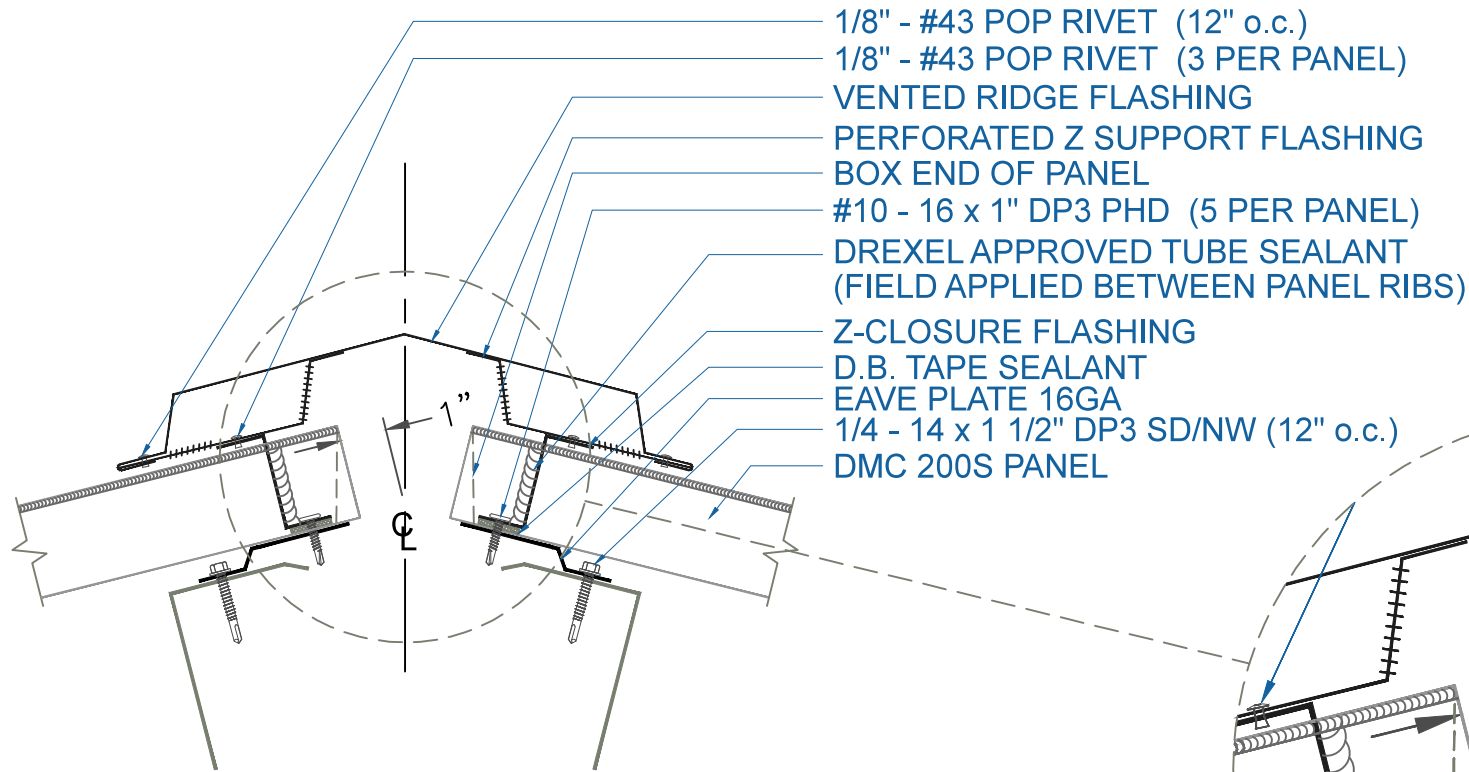
## VALLEYWALL

SCALE: 3" = 1'-0"

**DrexelMetals**  
Roofing Systems + Custom Fabrication

EFFECTIVE DATE: 12-12-12  
SUBJECT TO CHANGE WITHOUT NOTICE

# DMC 200S - OPEN FRAMING



EFFECTIVE DATE: 12-12-12  
 SUBJECT TO CHANGE WITHOUT NOTICE

## VENTED RIDGE

SCALE: 3" = 1'-0"