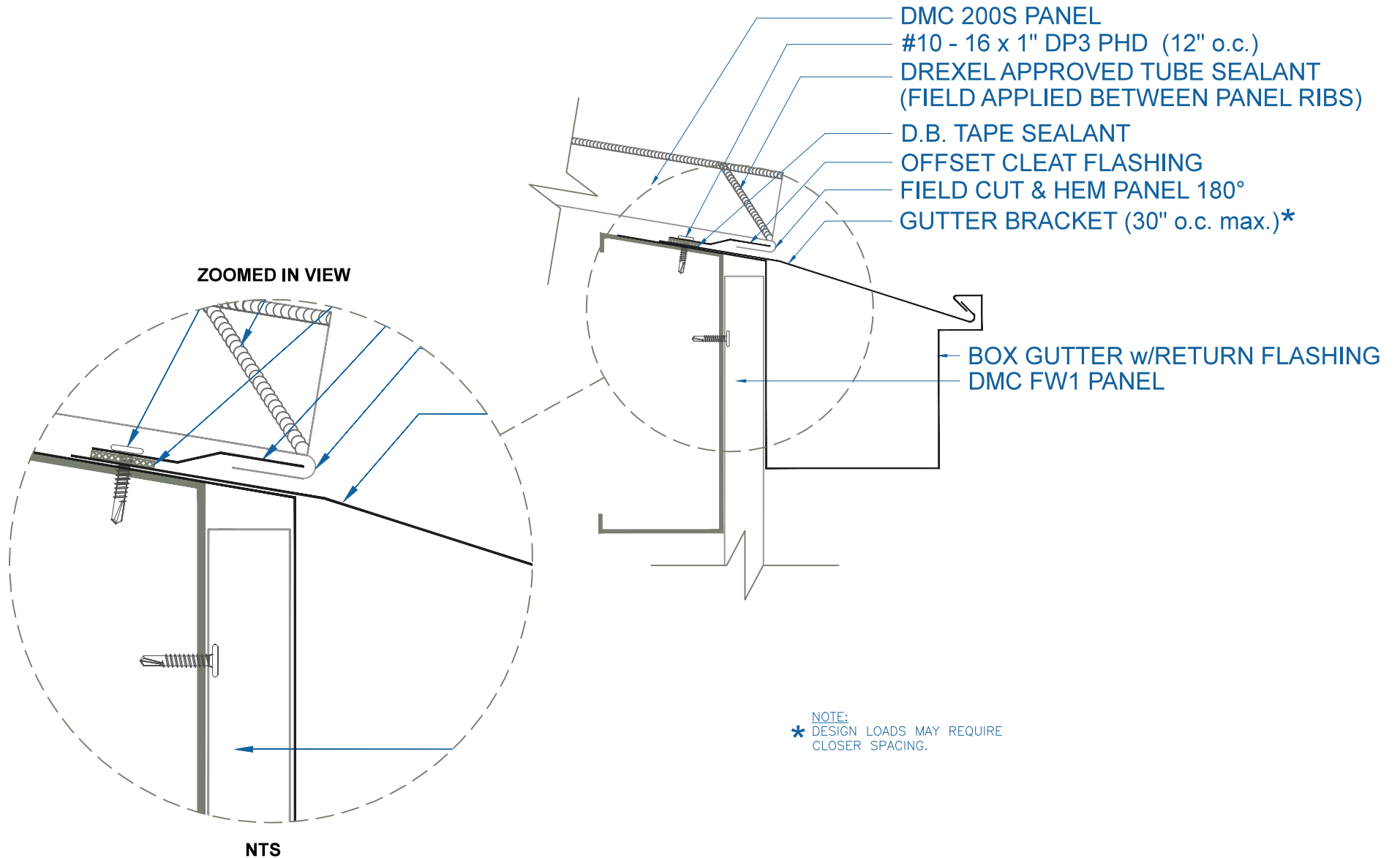


# DMC 200S - OPEN FRAMING



## **BOX GUTTER - w/RETURN** **w/FLUSH PANEL**

EFFECTIVE DATE: 12-12-12  
SUBJECT TO CHANGE WITHOUT NOTICE

SCALE: 3" = 1'-0"