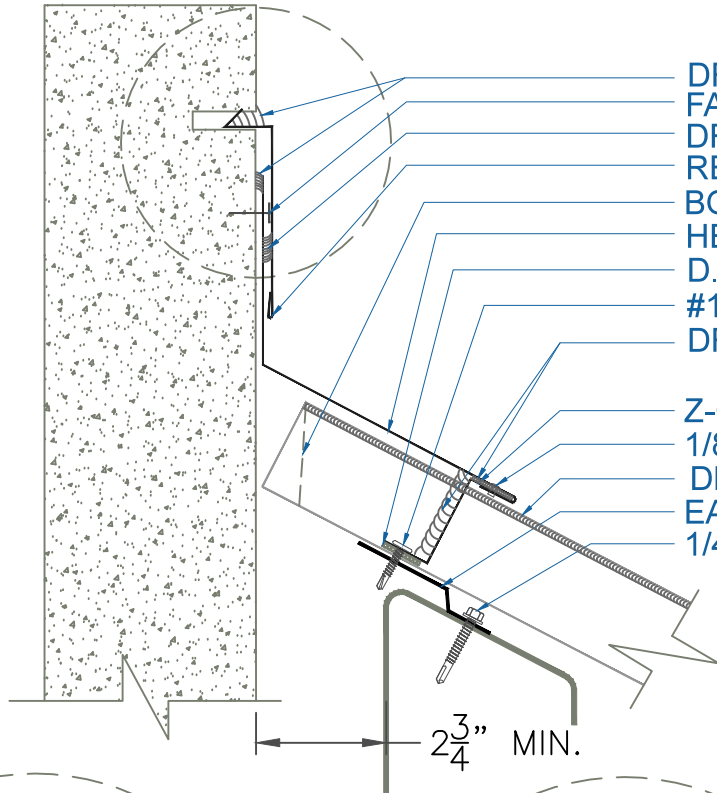
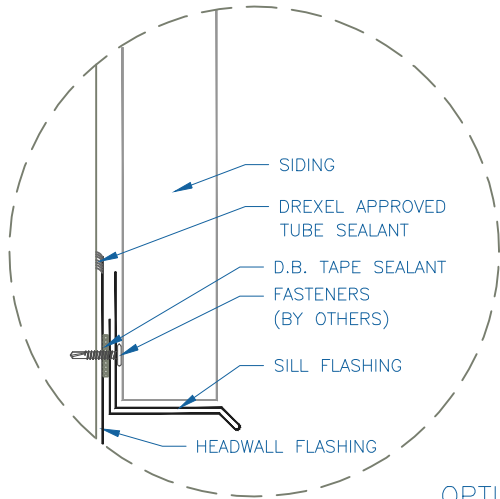


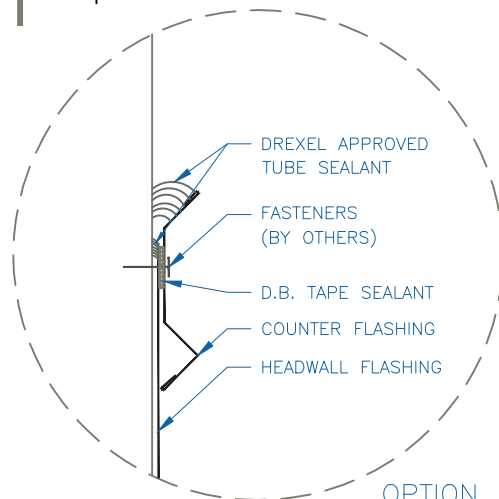
DMC 200S - OPEN FRAMING



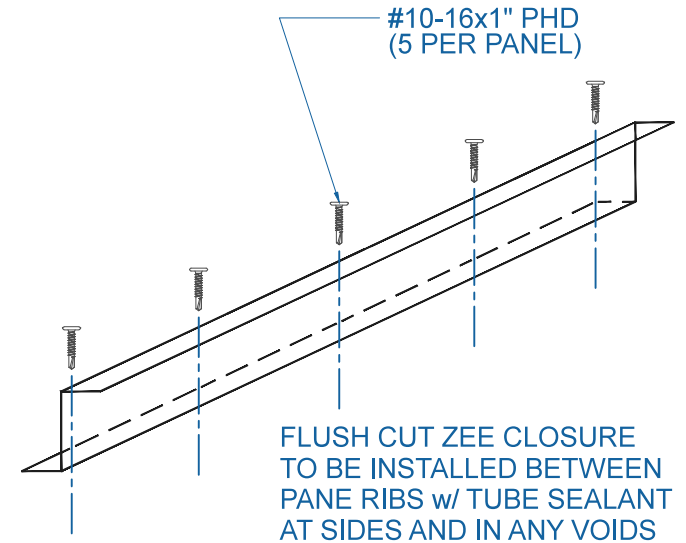
- DREXEL APPROVED TUBE SEALANT
- FASTENERS (BY OTHERS)
- DREXEL APPROVED TUBE SEALANT
- REGLET FLASHING
- BOX END OF PANEL
- HEADWALL FLASHING
- D.B. TAPE SEALANT
- #10 - 16 x 1" DP3 PHD (5 PER PANEL)
- DREXEL APPROVED TUBE SEALANT (FIELD APPLIED)
- Z-CLOSURE FLASHING
- 1/8" - #43 POP RIVET (18" o.c.)
- DMC 200S PANEL (FIELD CUT AND BEND)
- EAVE PLATE 16GA
- 1/4 - 14 x 1 1/2" DP3 SD/NW (12" o.c.)



OPTION 1



OPTION 2



#10-16x1" PHD
(5 PER PANEL)

FLUSH CUT ZEE CLOSURE
TO BE INSTALLED BETWEEN
PANE RIBS w/ TUBE SEALANT
AT SIDES AND IN ANY VOIDS

EFFECTIVE DATE: 12-12-12
SUBJECT TO CHANGE WITHOUT NOTICE

HEADWALL

SCALE: 3" = 1'-0"