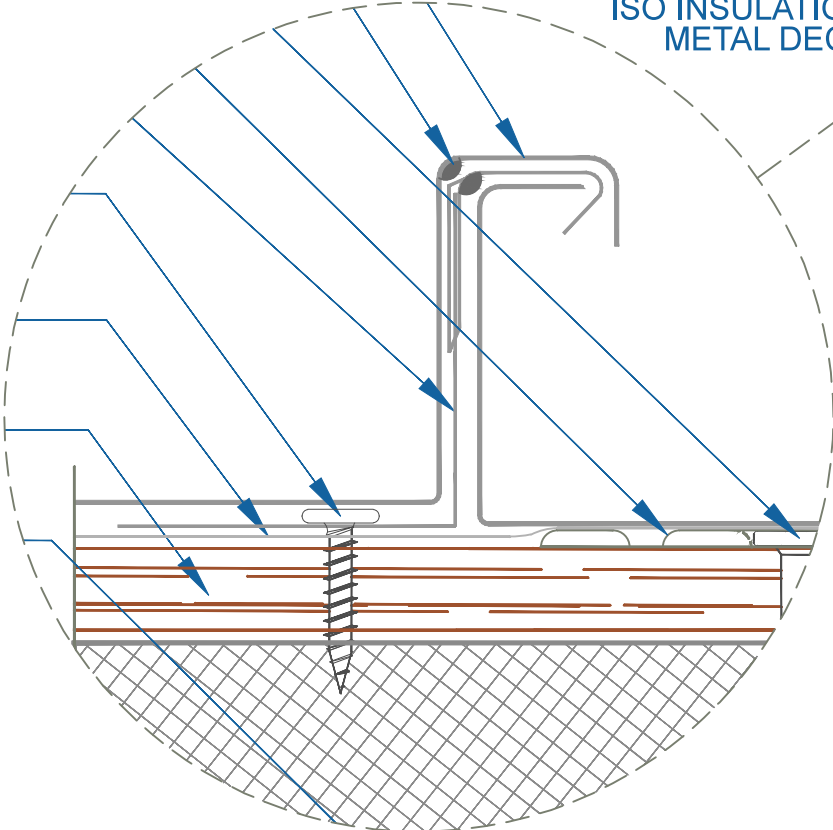


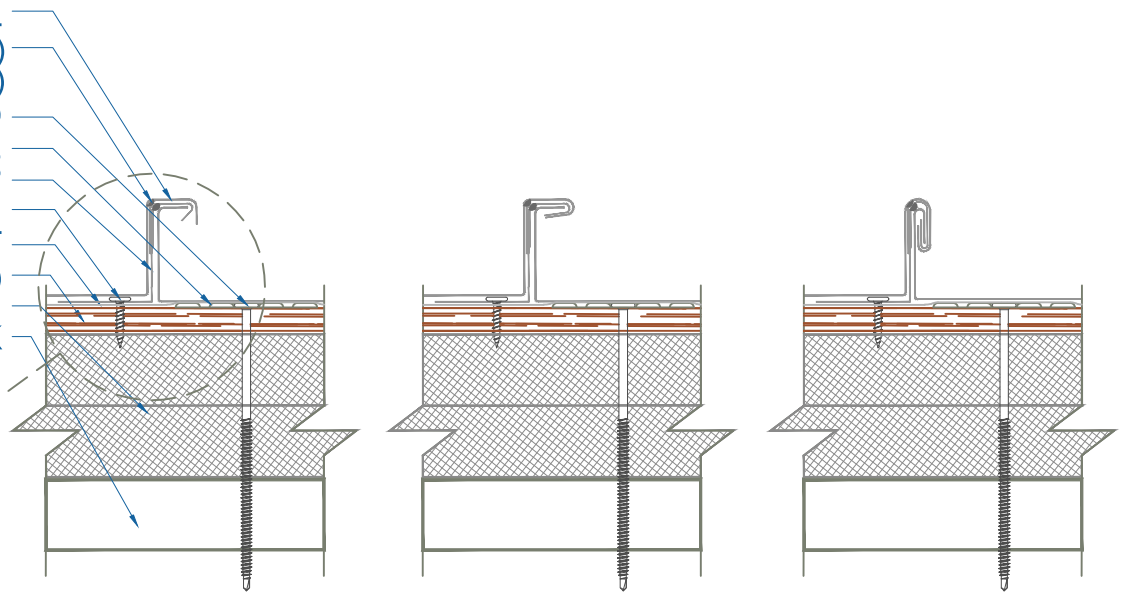
**DMC 200S - NAIL BASE/ISO/METAL DECK**

- DMC 200S PANEL
- DREXEL APPROVED SEALANT (OPTIONAL)  
(FIELD OR MACHINE APPLIED SEALANT)
- #14 - 13 x ?" DP1 PHDD
- 3" ROUND 26GA INSULATION PLATE
- DMC 200S BUTTERFLY CLIP
- (2) #10 - 13 x 1" PHW
- METSHIELD UNDERLAYMENT
- OSB (5/8" MIN)
- ISO INSULATION
- METAL DECK

ZOOMED IN VIEW



NTS



CROSS SECTION  
BEFORE SEAMING

CROSS SECTION  
90° SEAMING

CROSS SECTION  
180° SEAMING

SEAMER TOOL RENTAL  
SEAMER TOOLS, INC.  
8265 HIGHWAY 178  
OLIVE BRANCH, MS 38654  
PH:(662)895-1222  
FAX:(662)890-4775  
RENT@SEAMERTOOLS.COM

**INSTALLATION DETAIL**

SCALE: 3" = 1'-0"



EFFECTIVE DATE: 07-26-2013  
SUBJECT TO CHANGE WITHOUT NOTICE