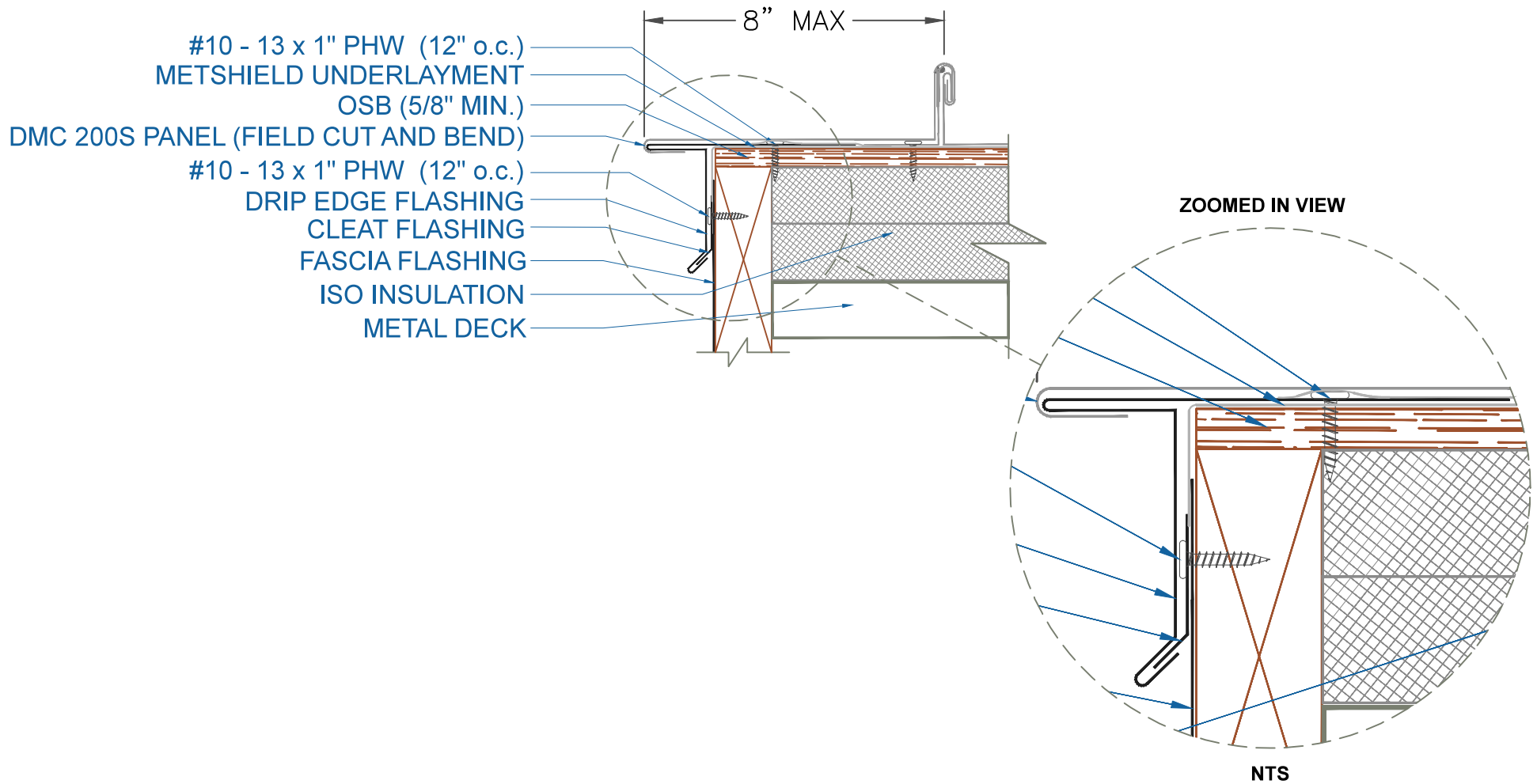


DMC 200S - NAIL BASE/ISO/METAL DECK



GABLE
w/DRIP EDGE

SCALE: 3" = 1'-0"

EFFECTIVE DATE: 07-26-2013
SUBJECT TO CHANGE WITHOUT NOTICE

