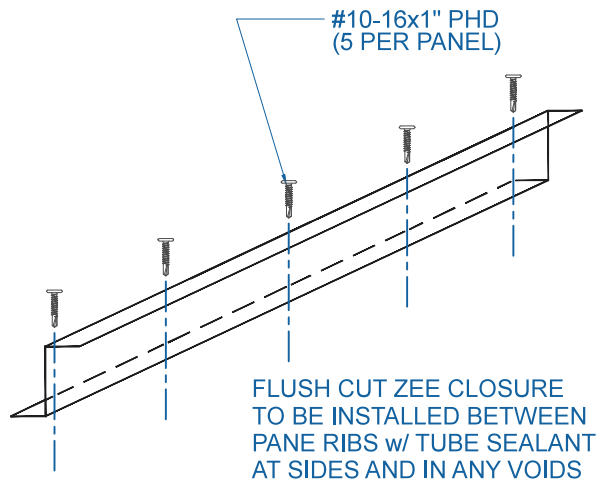
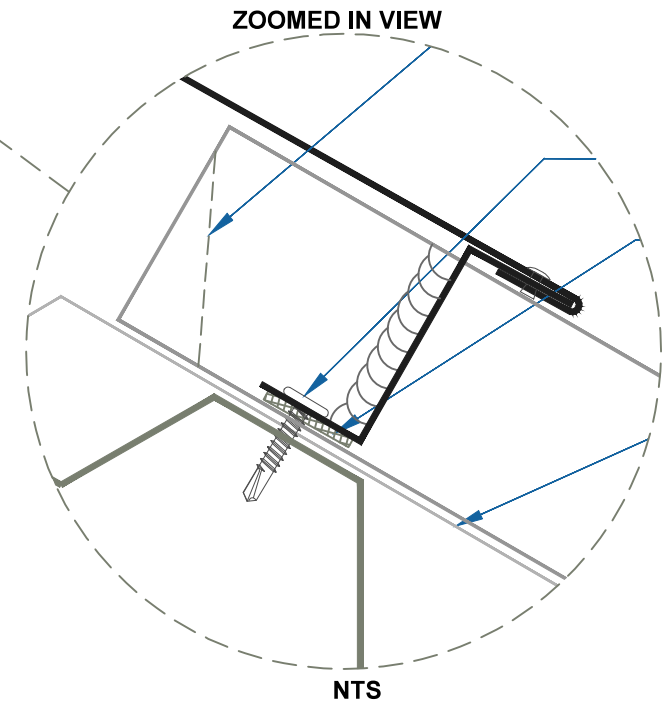
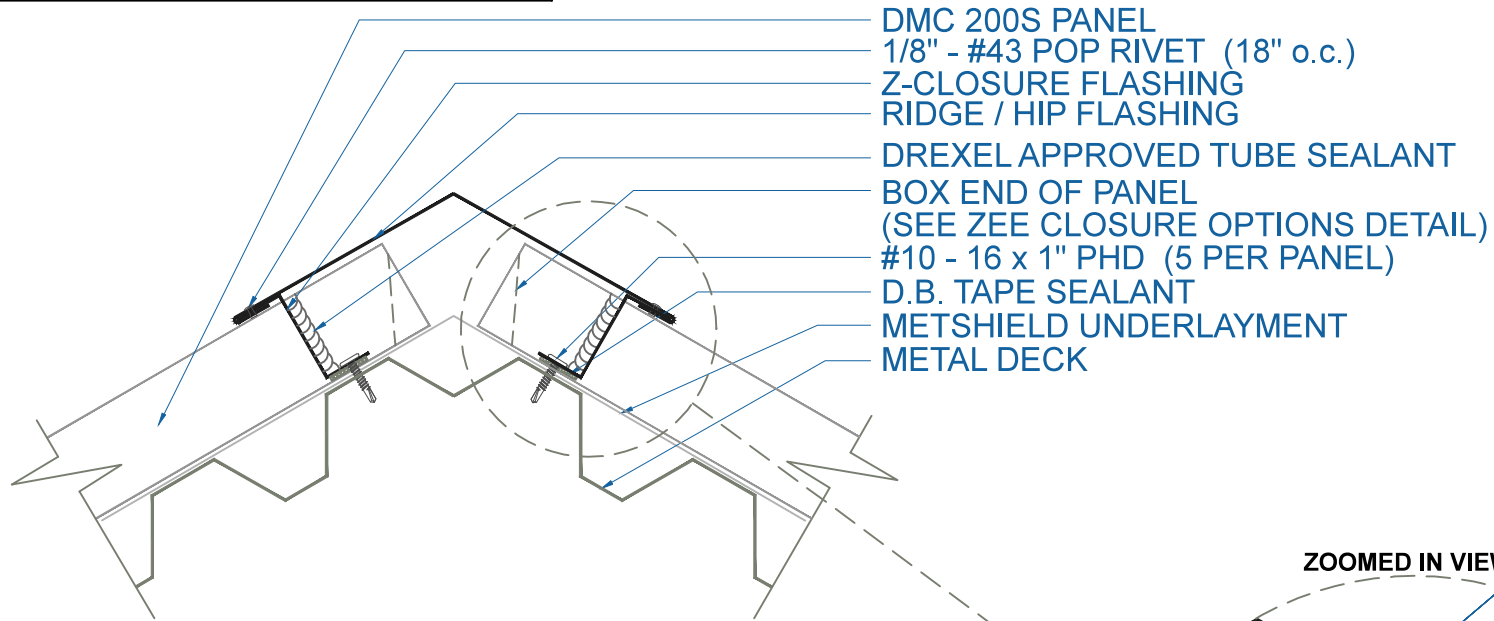


DMC 200S - METAL DECK



EFFECTIVE DATE: 07-12-2013
SUBJECT TO CHANGE WITHOUT NOTICE

RIDGE / HIP

SCALE: 3" = 1'-0"

DrexelMetals
Roofing Systems + Custom Fabrication

