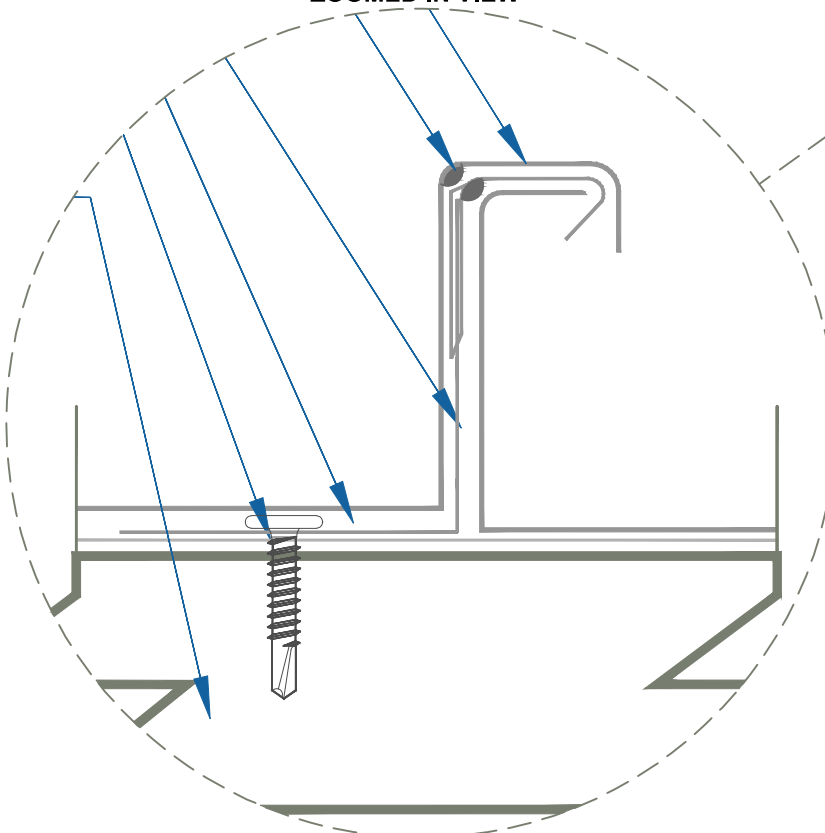
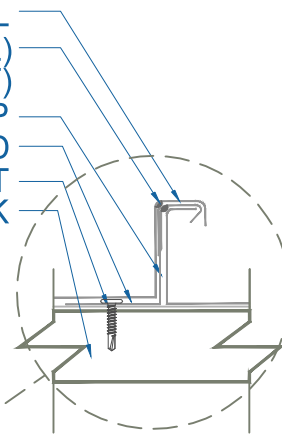


DMC 200S - METAL DECK

DMC 200S PANEL
 DREXEL APPROVED SEALANT (OPTIONAL)
 (FIELD OR MACHINE APPLIED SEALANT)
 DMC 200S BUTTERFLY CLIP
 #10 - 16 x 1" DP3 PHD
 METSHIELD UNDERLAYMENT
 METAL DECK

ZOOMED IN VIEW



NTS

CROSS SECTION
 BEFORE SEAMING

CROSS SECTION
 90° SEAMING

CROSS SECTION
 180° SEAMING

SEAMER TOOL RENTAL
 SEAMER TOOLS, INC.
 8265 HIGHWAY 178
 OLIVE BRANCH, MS 38654
 PH:(662)895-1222
 FAX:(662)890-4775
 RENT@SEAMERTOOLS.COM

EFFECTIVE DATE: 07-15-2013
 SUBJECT TO CHANGE WITHOUT NOTICE

INSTALLATION DETAIL

SCALE: 3" = 1'-0"

