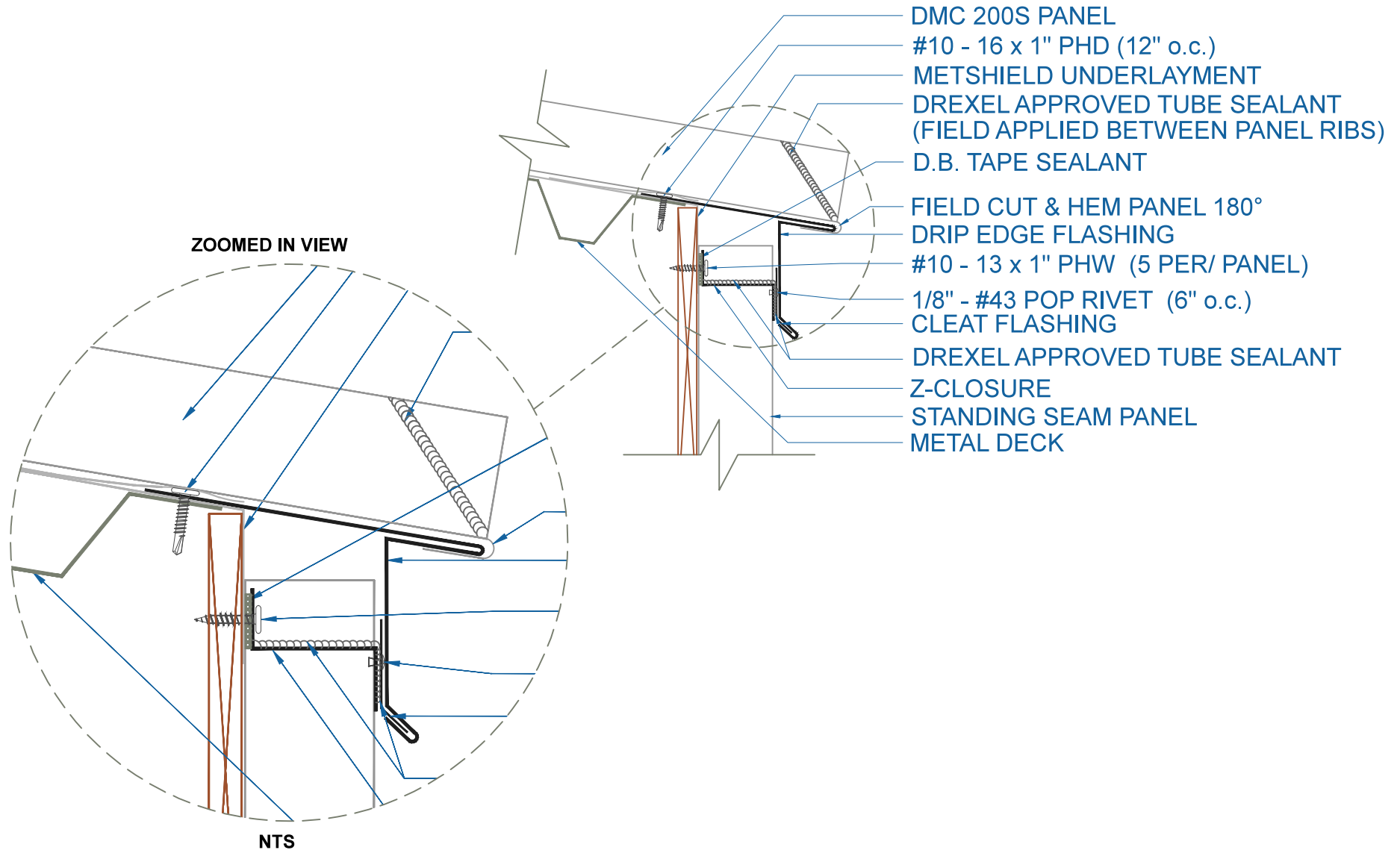


DMC 200S - METAL DECK



DRIP EDGE w/STANDING SEAM PANEL

SCALE: 3" = 1'-0"

EFFECTIVE DATE: 07-12-2013
SUBJECT TO CHANGE WITHOUT NOTICE

DrexelMetals
Roofing Systems + Custom Fabrication

