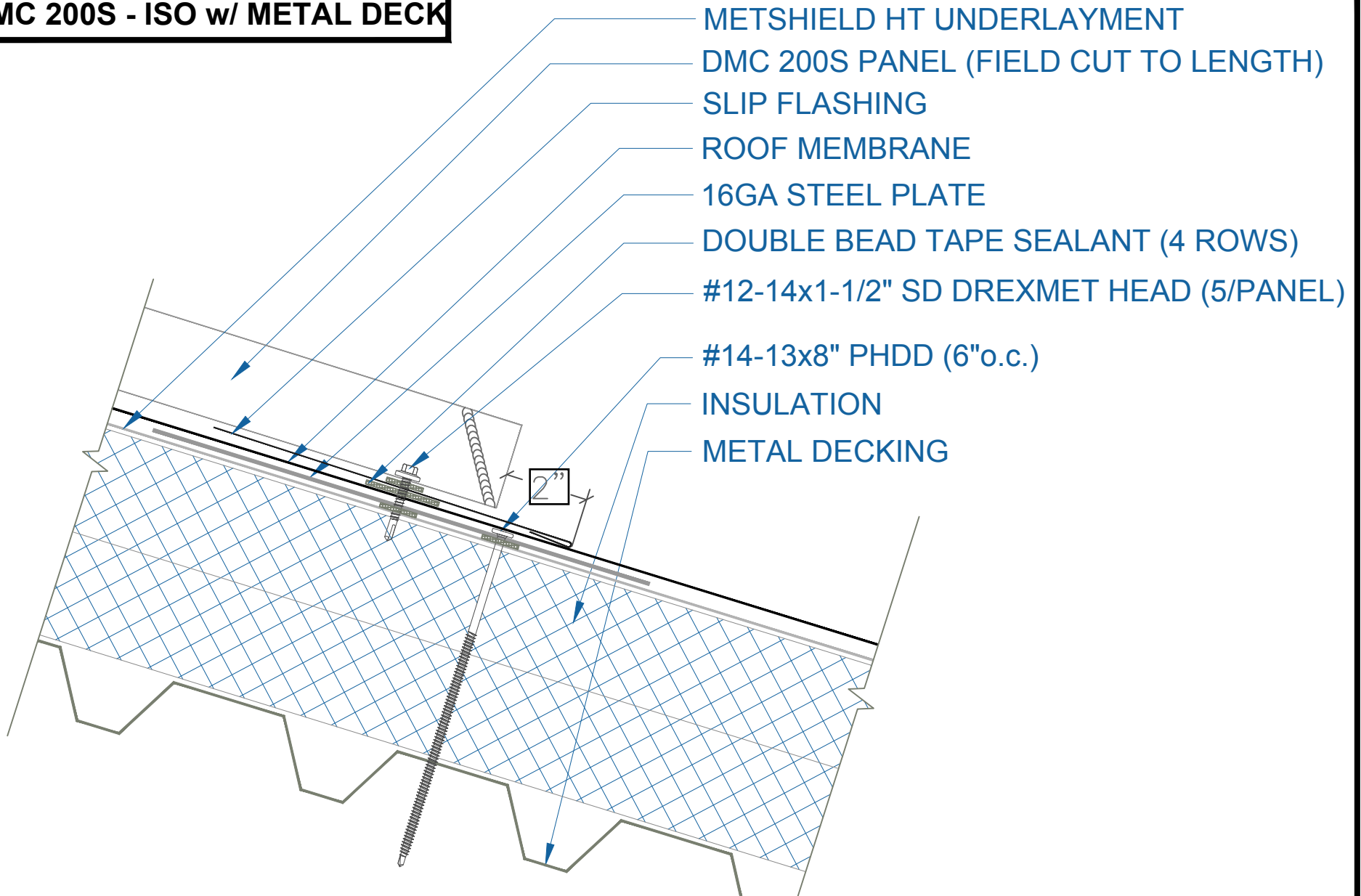


DMC 200S - ISO w/ METAL DECK



- METSHIELD HT UNDERLAYMENT
- DMC 200S PANEL (FIELD CUT TO LENGTH)
- SLIP FLASHING
- ROOF MEMBRANE
- 16GA STEEL PLATE
- DOUBLE BEAD TAPE SEALANT (4 ROWS)
- #12-14x1-1/2" SD DREXMET HEAD (5/PANEL)
- #14-13x8" PHDD (6"o.c.)
- INSULATION
- METAL DECKING

TRANSITION TO RETRO-FIT MEMBRANE

EFFECTIVE DATE: 10-20-18
SUBJECT TO CHANGE WITHOUT NOTICE

SCALE: 3" = 1'-0"

