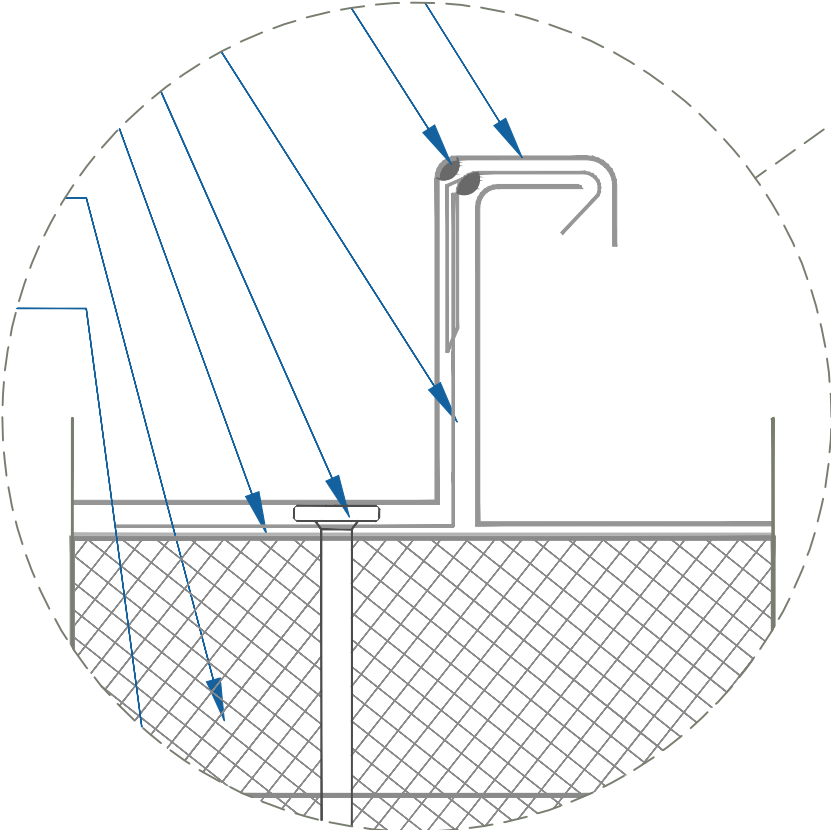


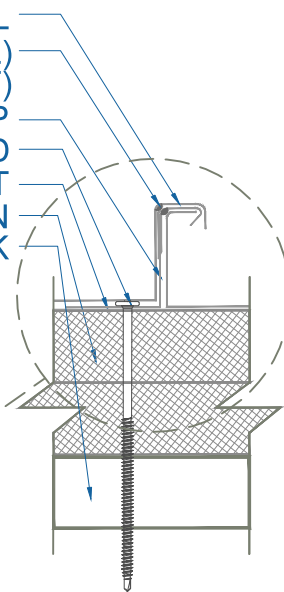
DMC 200S - ISO w/ METAL DECK

- DMC 200S PANEL
- DREXEL APPROVED SEALANT (OPTIONAL)
(FIELD OR MACHINE APPLIED SEALANT)
- DMC 200S BUTTERFLY CLIP
- (2) #14 - 13 x ?" PHDD
- METSHIELD UNDERLAYMENT
- ISO INSULATION
- METAL DECK

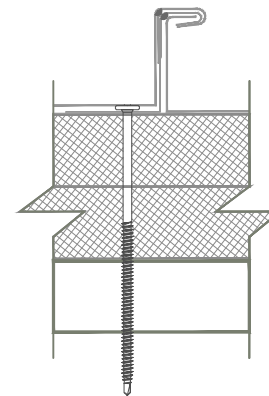
ZOOMED IN VIEW



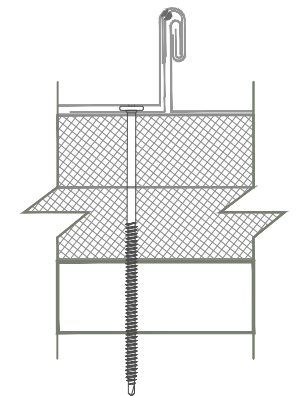
NTS



CROSS SECTION
BEFORE SEAMING



CROSS SECTION
90° SEAMING



CROSS SECTION
180° SEAMING

SEAMER TOOL RENTAL
SEAMER TOOLS, INC.
8265 HIGHWAY 178
OLIVE BRANCH, MS 38654
PH:(662)895-1222
FAX:(662)890-4775
RENT@SEAMERTOOLS.COM

INSTALLATION DETAIL

SCALE: 3" = 1'-0"



EFFECTIVE DATE: 04-12-2013
SUBJECT TO CHANGE WITHOUT NOTICE