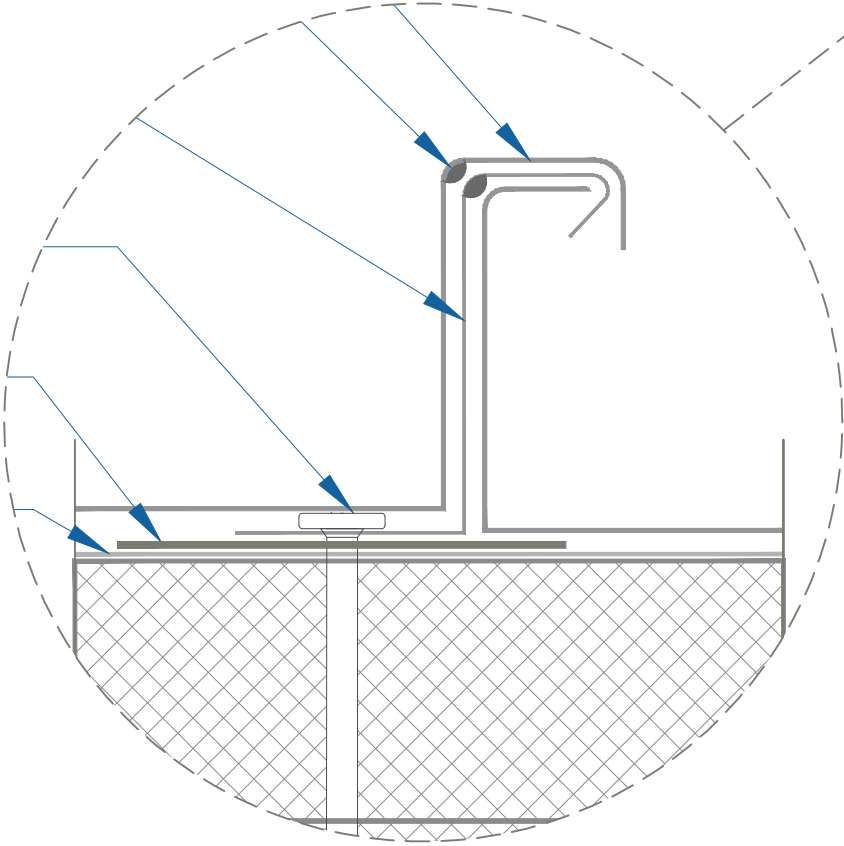


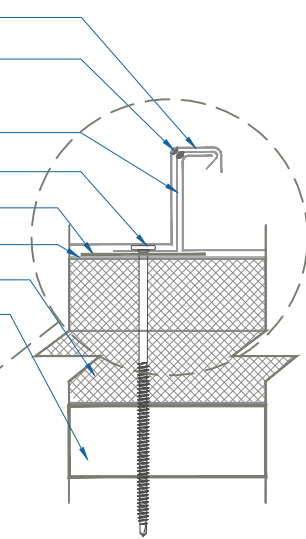
# DMC 200S - ISO w/ METAL DECK

- DMC 200S PANEL
- DREXEL APPROVED TUBE SEALANT  
(FIELD OR MACHINE APPLIED SEALANT)
- DMC 200S 22GA 2-1/8" FIXED CLIP  
(2) #14 - 13 X ?" PHDD
- BEARING PLATE 3"x3" 18GA
- METSHIELD HT UNDERLAYMENT
- ISO INSULATION
- METAL DECK

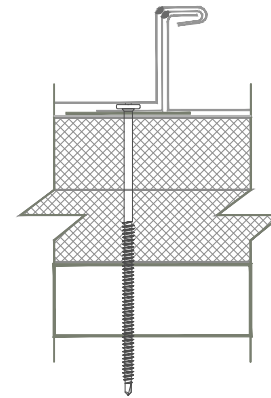
ZOOMED IN VIEW



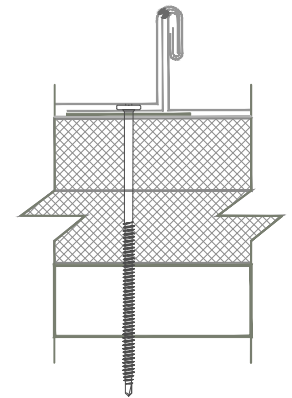
NTS



CROSS SECTION  
BEFORE SEAMING



CROSS SECTION  
90° SEAMING



CROSS SECTION  
180° SEAMING

QUALITY ROOF SEAMERS  
 DBA SEAMER TOOLS, INC.  
 8265 HIGHWAY 178  
 OLIVE BRANCH, MS 38654  
 PH:(662)895-1222  
 FAX:(662)890-4775  
 QUALITYROOFSEAMERS.COM

EFFECTIVE DATE: 01-23-2020  
 SUBJECT TO CHANGE WITHOUT NOTICE

## INSTALLATION DETAIL

SCALE: 3" = 1'-0"

