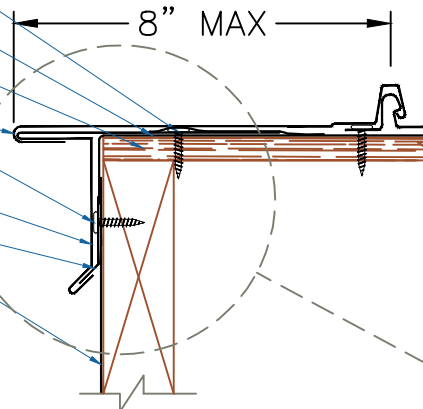
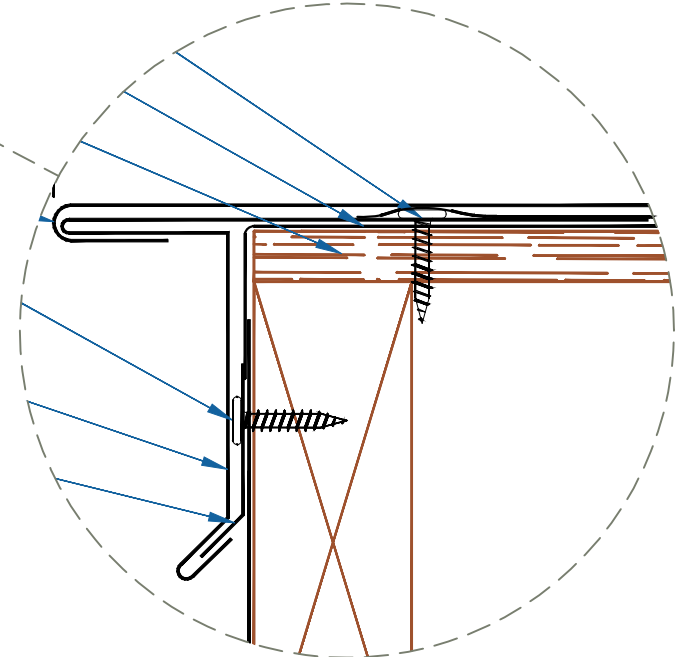


DMC 150NS - PLYWOOD

- #10 - 13 x 1" PHW (12" o.c.)
- METSHIELD UNDERLAYMENT
- PLYWOOD SUBSTRATE (1/2" MIN.)
- DMC 150NS PANEL (FIELD CUT AND BEND)
- #10 - 13 x 1" PHW (12" o.c.)
- DRIP EDGE FLASHING
- CLEAT FLASHING
- FASCIA FLASHING



ZOOMED IN VIEW



NTS

GABLE ALTERNATE / CURVED

SCALE: 3" = 1'-0"

EFFECTIVE DATE: 02-15-2013
SUBJECT TO CHANGE WITHOUT NOTICE

