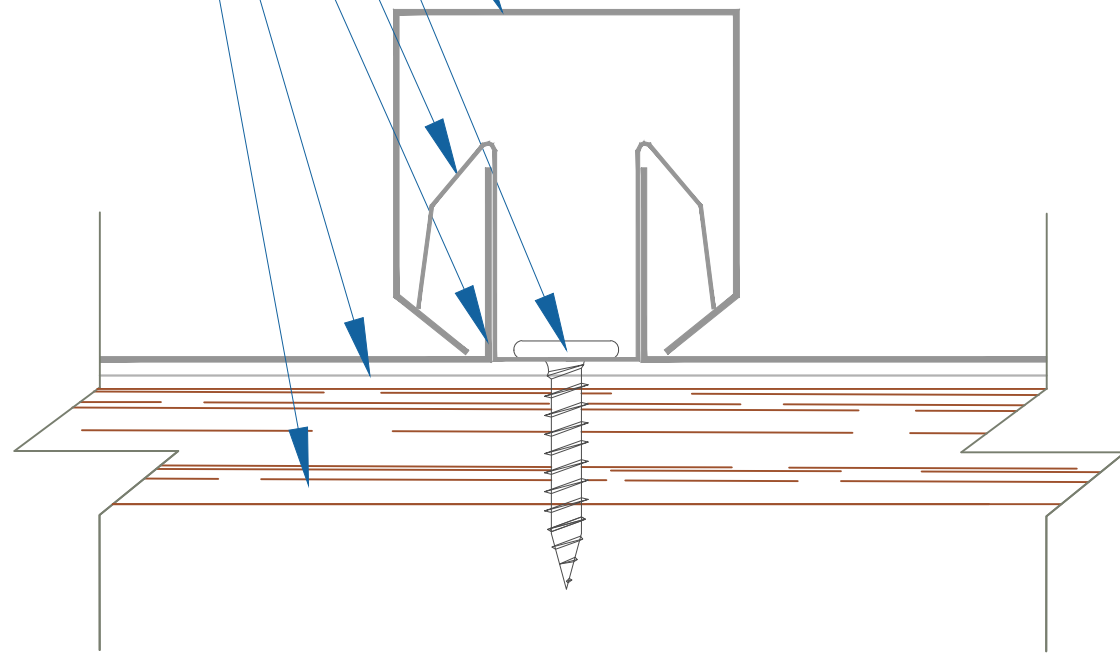


DMC SNAP BATTEN - SOLID SUBSTRATE

- DMC SNAP BATTEN CAP
- #10 - 13 x 1" PHW (2 Per Clip)
- DMC SNAP BATTEN CLIP
- DMC SNAP BATTEN PANEL
- METSHIELD UNDERLAYMENT
- 1/2" PLYWOOD MIN.



EFFECTIVE DATE: 08-14-2013
SUBJECT TO CHANGE WITHOUT NOTICE

PANEL INSTALLATION

SCALE: NTS