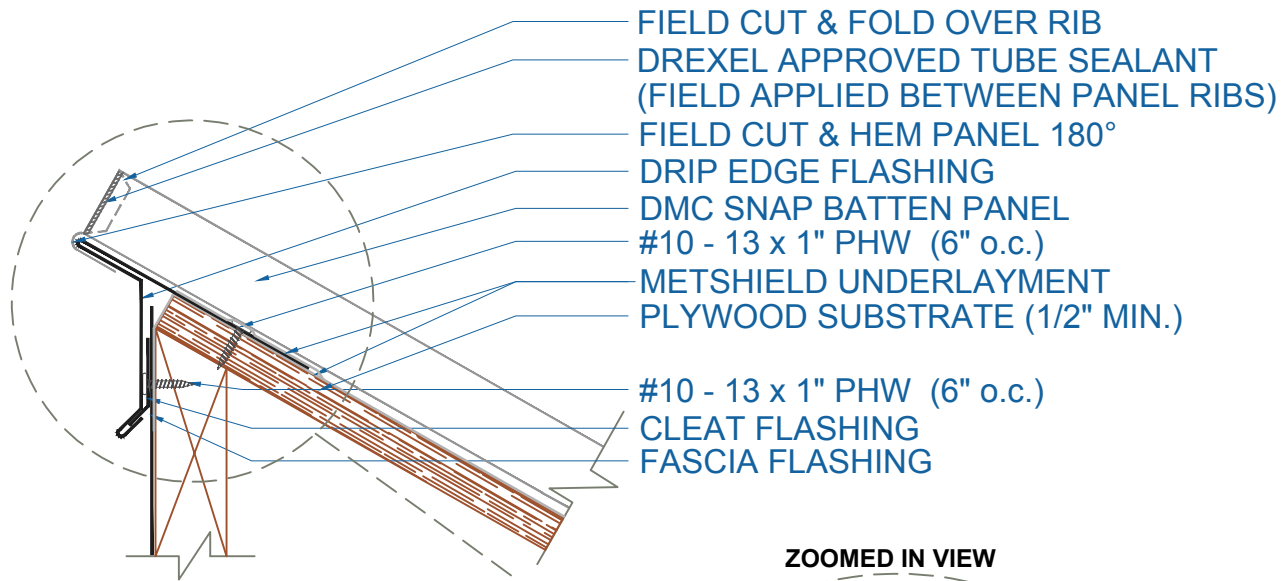
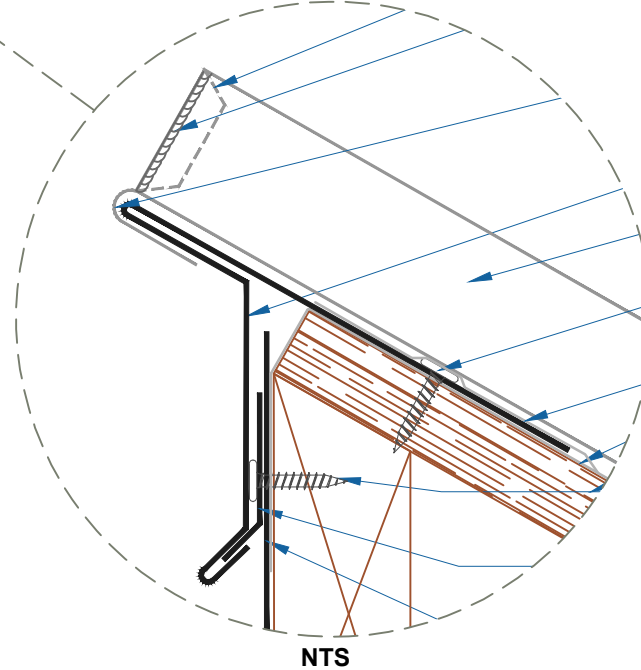


# DMC SNAP BATTEN - PLYWOOD



ZOOMED IN VIEW



## PEAK w/DRIP EDGE

SCALE: 3" = 1'-0"

EFFECTIVE DATE: 08-13-2013  
SUBJECT TO CHANGE WITHOUT NOTICE