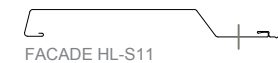
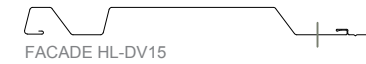


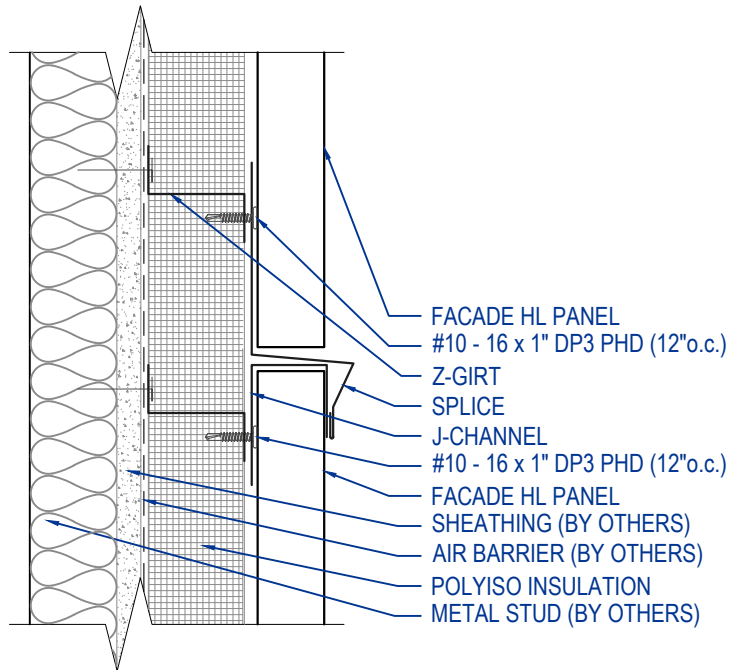
FACADE HL - Z-GIRT
SPLICE DETAIL
VERTICAL APPLICATION



THIS DETAIL DRAWING IS APPLICABLE TO ALL FACADE HL SERIES WALL PANEL PROFILES

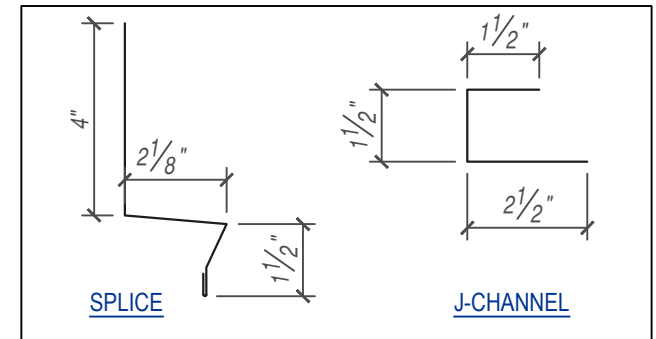


(CONCEALED CLIP OPTION)



KEYNOTES:

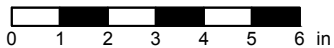
- TRIM FASTENERS ARE SELF-DRILL PANCAKE HEAD AND MUST BE BE INSTALLED IN A STAGGERED PATTERN
- FASTENERS MUST PENETRATE STEEL SUBSTRATE BY 5/8" MINIMUM THREAD LENGTH



FLASHINGS

DISCLAIMER: DETAIL SHOWN FOR ILLUSTRATION PURPOSES ONLY. ACTUAL PROJECT DETAIL MAY VARY

SCALE: 3" = 1'-0"

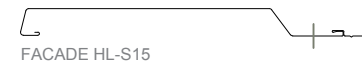
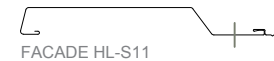
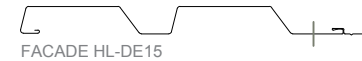


EFFECTIVE DATE: 01-01-2023
SUBJECT TO CHANGE WITHOUT NOTICE

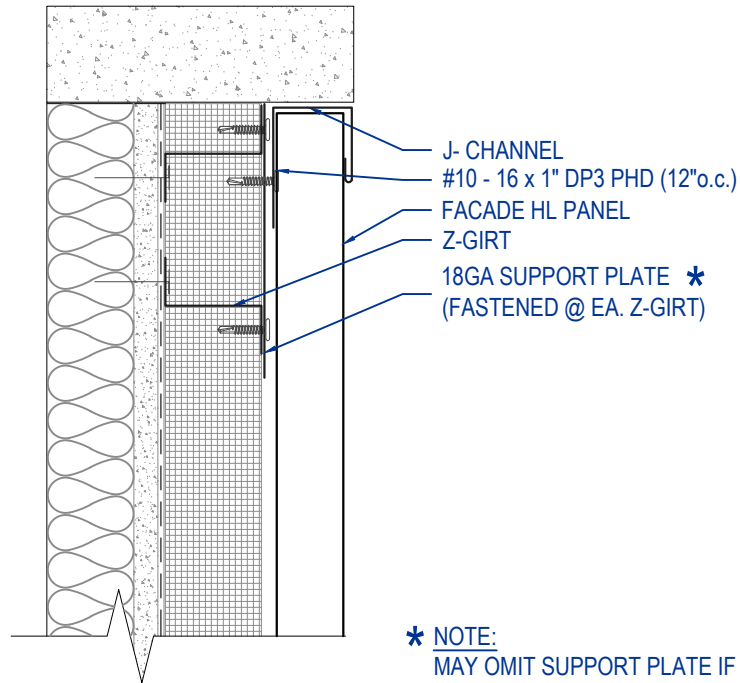
FACADE HL - Z-GIRT
HEAD DETAIL
VERTICAL APPLICATION



THIS DETAIL DRAWING IS APPLICABLE TO ALL FACADE HL SERIES WALL PANEL PROFILES



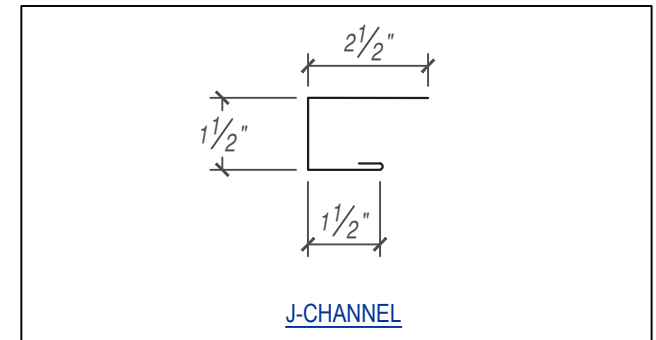
(CONCEALED CLIP OPTION)



*** NOTE:**
MAY OMIT SUPPORT PLATE IF ATTACHING FLASHING TO STRUCTURAL MEMBER.

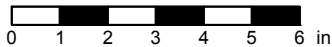
KEYNOTES:

- TRIM FASTENERS ARE SELF-DRILL PANCAKE HEAD AND MUST BE BE INSTALLED IN A STAGGERED PATTERN
- FASTENERS MUST PENETRATE STEEL SUBSTRATE BY 5/8" MINIMUM THREAD LENGTH



DISCLAIMER: DETAIL SHOWN FOR ILLUSTRATION PURPOSES ONLY. ACTUAL PROJECT DETAIL MAY VARY

SCALE: 3" = 1'-0"

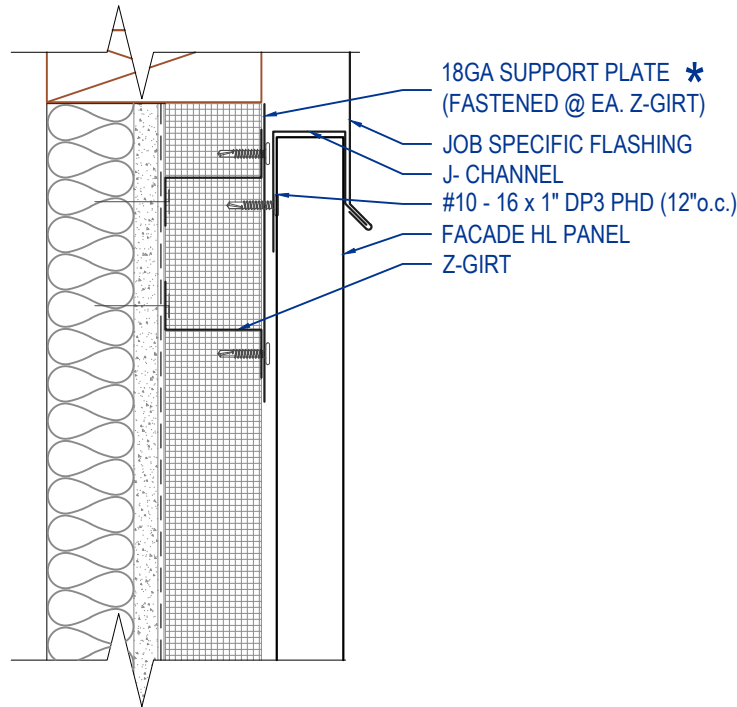


EFFECTIVE DATE: 01-01-2023
SUBJECT TO CHANGE WITHOUT NOTICE

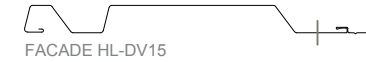
FACADE HL - Z-GIRT
HEAD DETAIL - TIE-IN
VERTICAL APPLICATION



THIS DETAIL DRAWING IS APPLICABLE TO ALL FACADE HL SERIES WALL PANEL PROFILES



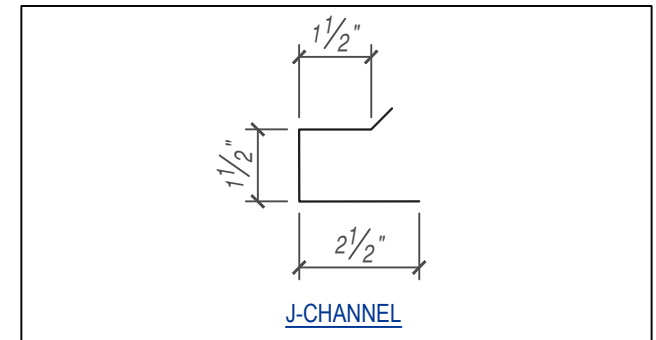
*** NOTE:**
MAY OMIT SUPPORT PLATE IF ATTACHING
FLASHING TO STRUCTURAL MEMBER.



(CONCEALED
CLIP OPTION)

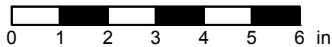
KEYNOTES:

- TRIM FASTENERS ARE SELF-DRILL PANCAKE HEAD AND MUST BE BE INSTALLED IN A STAGGERED PATTERN
- FASTENERS MUST PENETRATE STEEL SUBSTRATE BY 5/8" MINIMUM THREAD LENGTH



DISCLAIMER: DETAIL SHOWN FOR ILLUSTRATION PURPOSES ONLY. ACTUAL PROJECT DETAIL MAY VARY

SCALE: 3" = 1'-0"

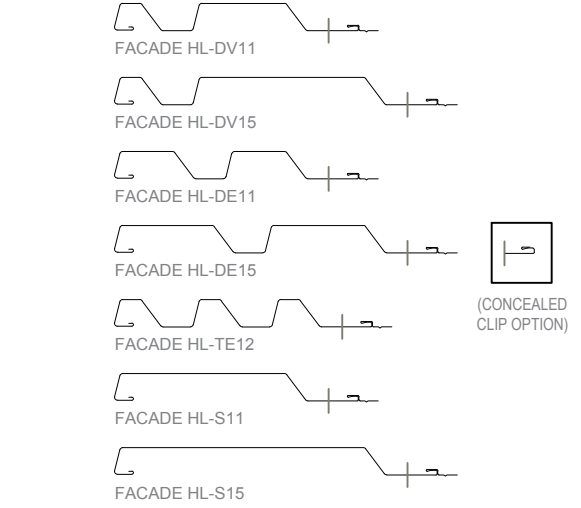
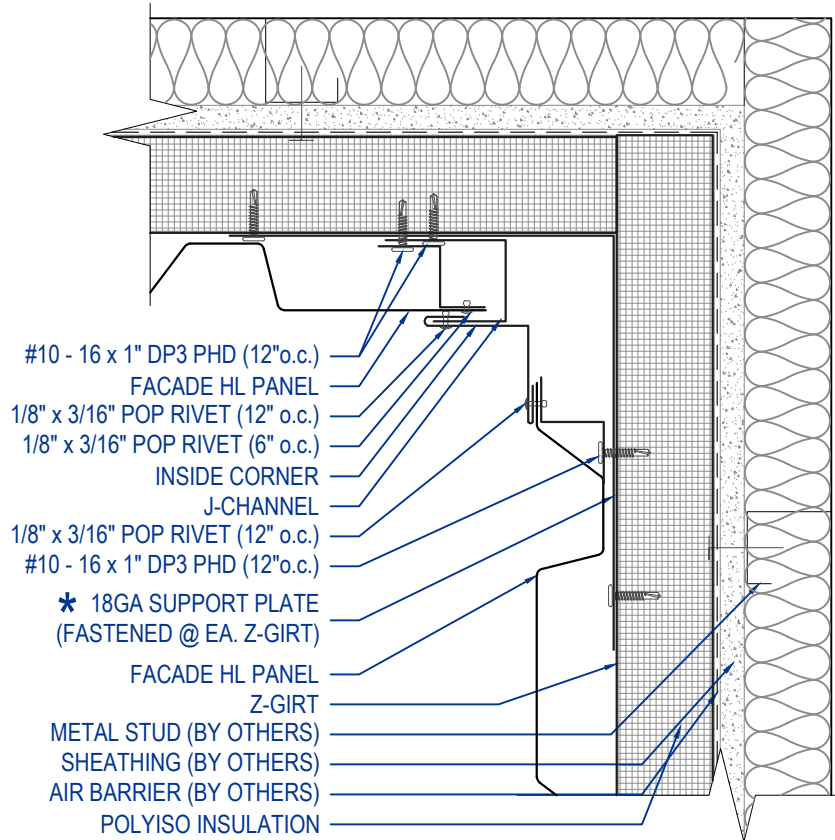


EFFECTIVE DATE: 01-01-2023
SUBJECT TO CHANGE WITHOUT NOTICE

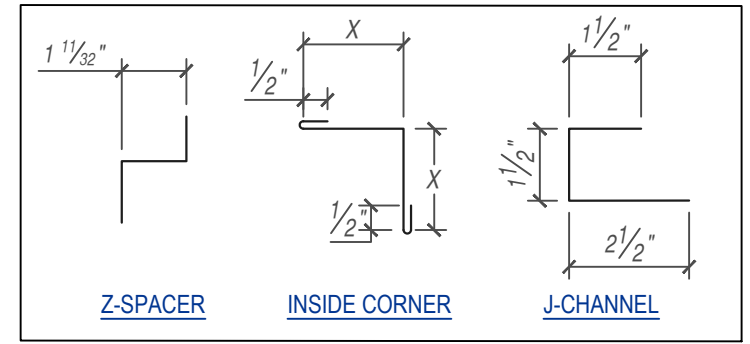
FACADE HL - Z-GIRT
INSIDE CORNER DETAIL
VERTICAL APPLICATION



THIS DETAIL DRAWING IS APPLICABLE TO ALL FACADE HL SERIES WALL PANEL PROFILES



KEYNOTES:
 - TRIM FASTENERS ARE SELF-DRILL PANCAKE HEAD AND MUST BE BE INSTALLED IN A STAGGERED PATTERN
 - FASTENERS MUST PENETRATE STEEL SUBSTRATE BY 5/8" MINIMUM THREAD LENGTH



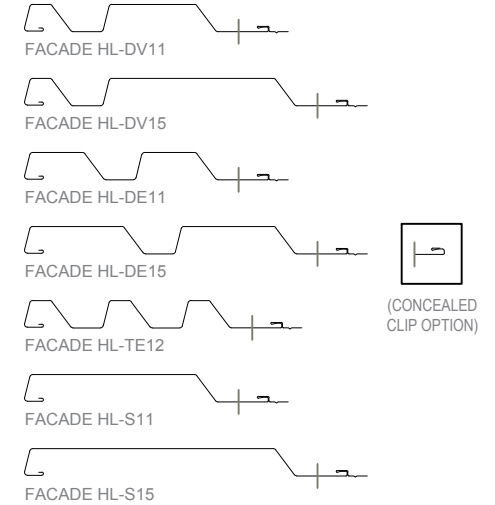
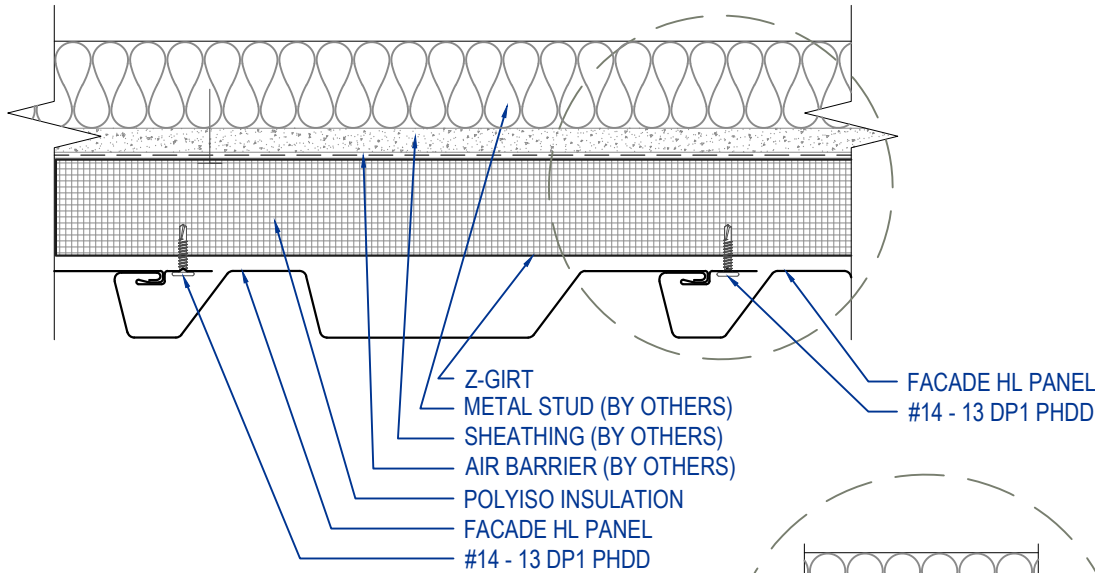
* **NOTE:**
MAY OMIT SUPPORT PLATE IF ATTACHING FLASHING TO STRUCTURAL MEMBER.

DISCLAIMER: DETAIL SHOWN FOR ILLUSTRATION PURPOSES ONLY. ACTUAL PROJECT DETAIL MAY VARY

SCALE: 3" = 1'-0"
 0 1 2 3 4 5 6 in
 EFFECTIVE DATE: 01-01-2023
 SUBJECT TO CHANGE WITHOUT NOTICE

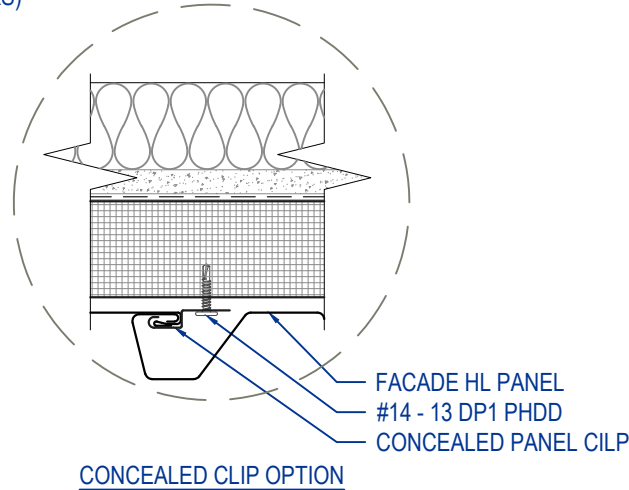


THIS DETAIL DRAWING IS APPLICABLE TO ALL FACADE HL SERIES WALL PANEL PROFILES

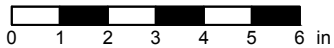


KEYNOTES:

- TRIM FASTENERS ARE SELF-DRILL PANCAKE HEAD AND MUST BE BE INSTALLED IN A STAGGERED PATTERN
- FASTENERS MUST PENETRATE STEEL SUBSTRATE BY 5/8" MINIMUM THREAD LENGTH



SCALE: 3" = 1'-0"

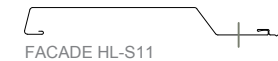


EFFECTIVE DATE: 01-01-2023
SUBJECT TO CHANGE WITHOUT NOTICE

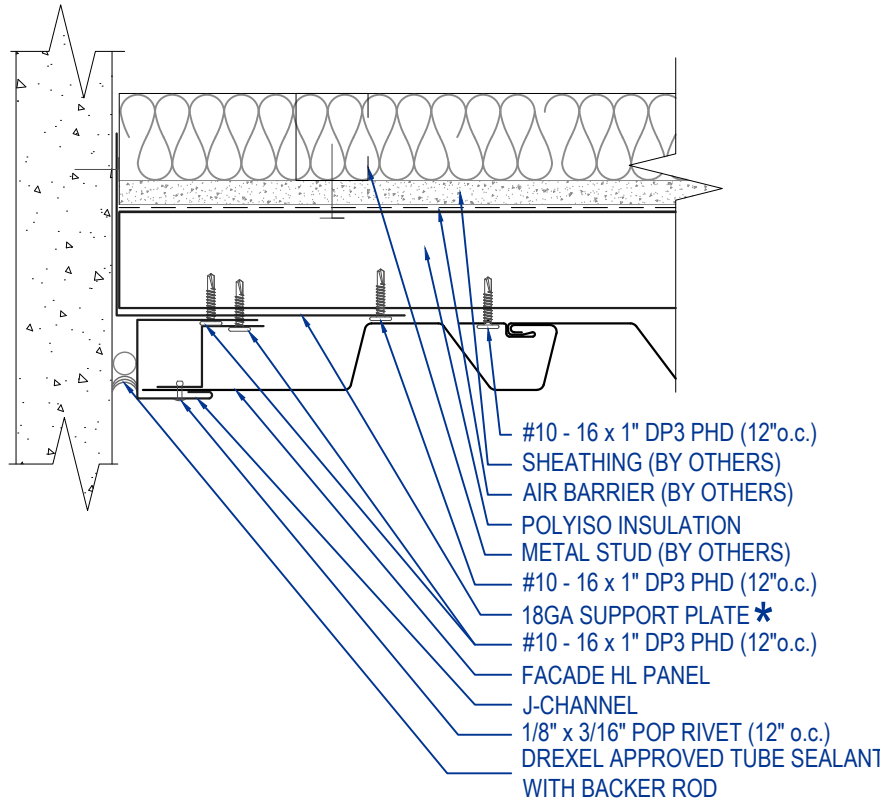
DISCLAIMER: DETAIL SHOWN FOR ILLUSTRATION PURPOSES ONLY. ACTUAL PROJECT DETAIL MAY VARY



THIS DETAIL DRAWING IS APPLICABLE TO ALL FACADE HL SERIES WALL PANEL PROFILES

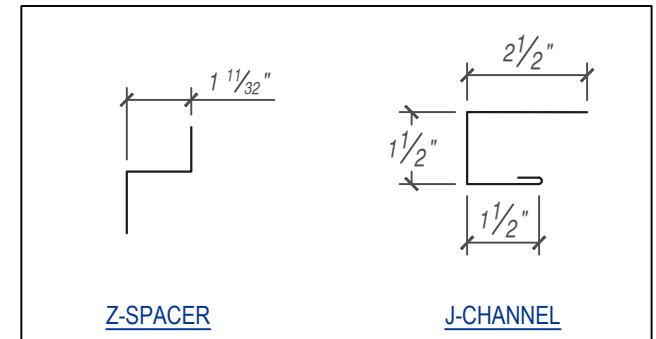


(CONCEALED CLIP OPTION)



KEYNOTES:

- TRIM FASTENERS ARE SELF-DRILL PANCAKE HEAD AND MUST BE BE INSTALLED IN A STAGGERED PATTERN
- FASTENERS MUST PENETRATE STEEL SUBSTRATE BY 5/8" MINIMUM THREAD LENGTH

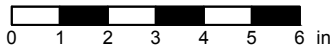


FLASHINGS

*** NOTE:**
MAY OMIT SUPPORT PLATE IF ATTACHING FLASHING TO STRUCTURAL MEMBER.

DISCLAIMER: DETAIL SHOWN FOR ILLUSTRATION PURPOSES ONLY. ACTUAL PROJECT DETAIL MAY VARY

SCALE: 3" = 1'-0"

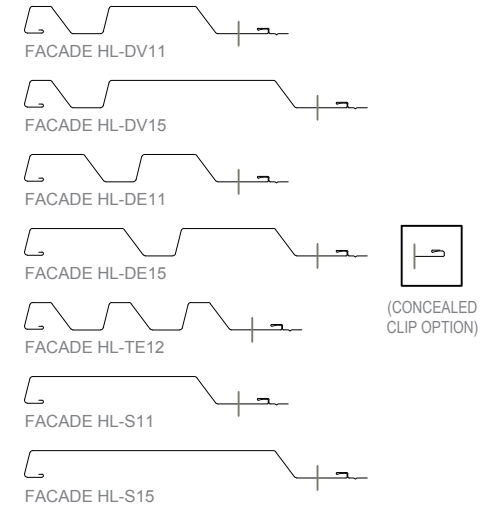
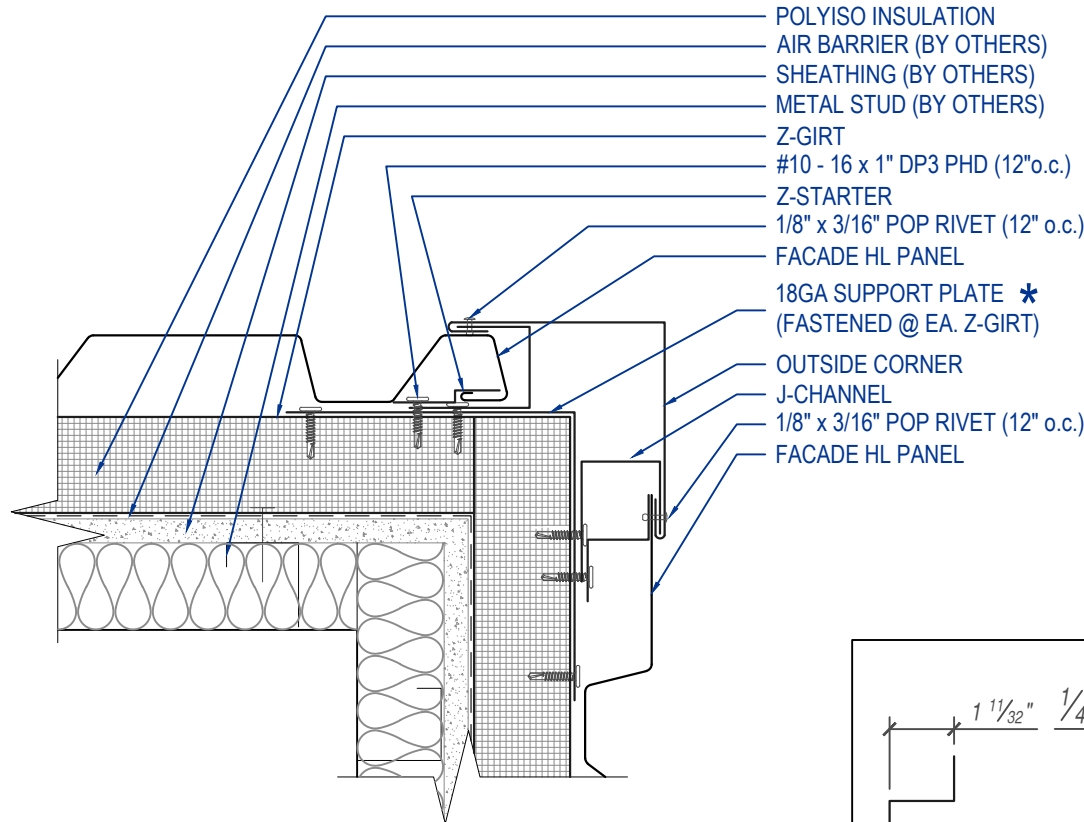


EFFECTIVE DATE: 01-01-2023
SUBJECT TO CHANGE WITHOUT NOTICE

FACADE HL - Z-GIRT
OUTSIDE CORNER DETAIL
VERTICAL APPLICATION

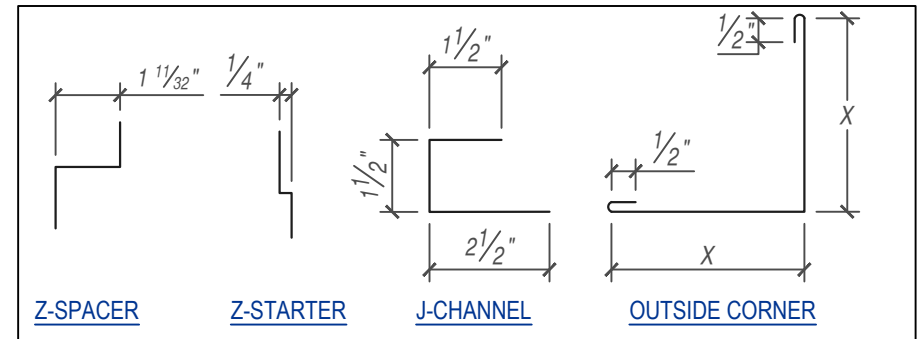


THIS DETAIL DRAWING IS APPLICABLE TO ALL FACADE HL SERIES WALL PANEL PROFILES

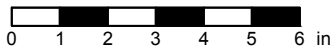


KEYNOTES:

- TRIM FASTENERS ARE SELF-DRILL PANCAKE HEAD AND MUST BE BE INSTALLED IN A STAGGERED PATTERN
- FASTENERS MUST PENETRATE STEEL SUBSTRATE BY 5/8" MINIMUM THREAD LENGTH



SCALE: 3" = 1'-0"

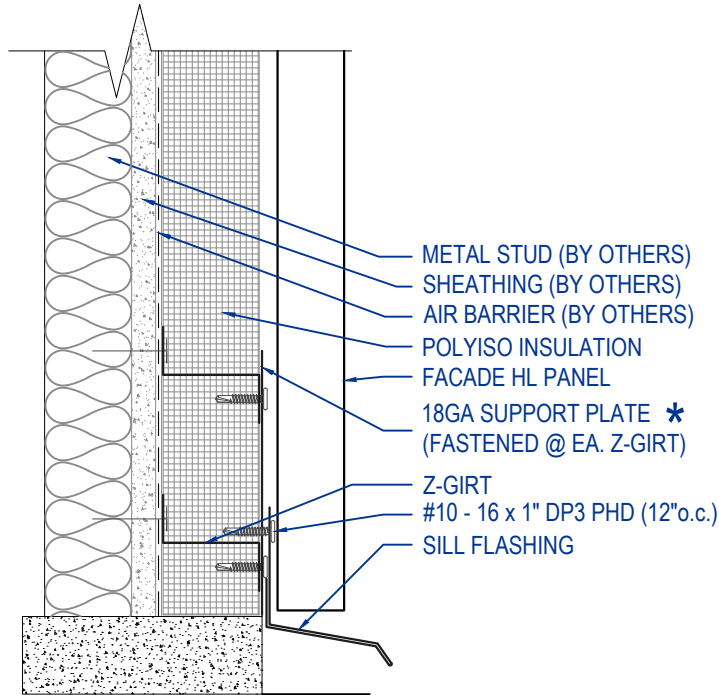


EFFECTIVE DATE: 01-01-2023
SUBJECT TO CHANGE WITHOUT NOTICE

*** NOTE:**
MAY OMIT SUPPORT PLATE IF ATTACHING FLASHING TO STRUCTURAL MEMBER.

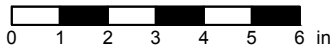
DISCLAIMER: DETAIL SHOWN FOR ILLUSTRATION PURPOSES ONLY. ACTUAL PROJECT DETAIL MAY VARY

FACADE HL - Z-GIRT
SILL DETAIL
VERTICAL APPLICATION



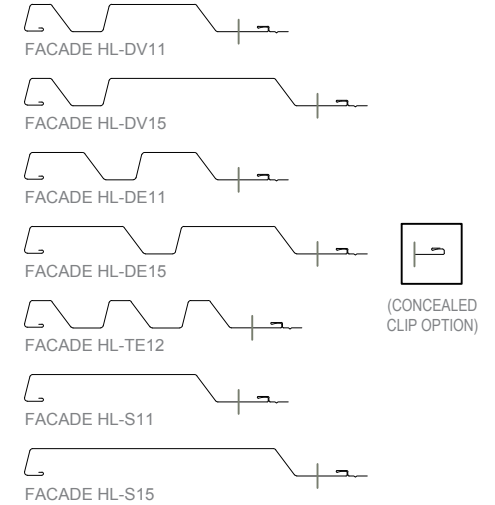
*** NOTE:**
MAY OMIT SUPPORT PLATE IF ATTACHING
FLASHING TO STRUCTURAL MEMBER.

SCALE: 3" = 1'-0"



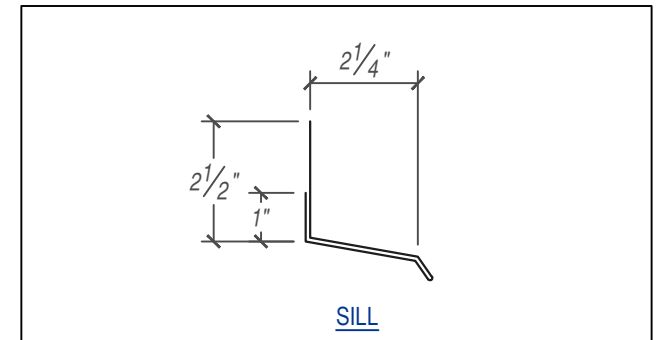
EFFECTIVE DATE: 01-01-2023
SUBJECT TO CHANGE WITHOUT NOTICE

THIS DETAIL DRAWING IS APPLICABLE TO ALL FACADE HL SERIES WALL PANEL PROFILES



KEYNOTES:

- TRIM FASTENERS ARE SELF-DRILL PANCAKE HEAD AND MUST BE BE INSTALLED IN A STAGGERED PATTERN
- FASTENERS MUST PENETRATE STEEL SUBSTRATE BY 5/8" MINIMUM THREAD LENGTH

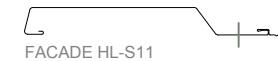


DISCLAIMER: DETAIL SHOWN FOR ILLUSTRATION PURPOSES ONLY. ACTUAL PROJECT DETAIL MAY VARY

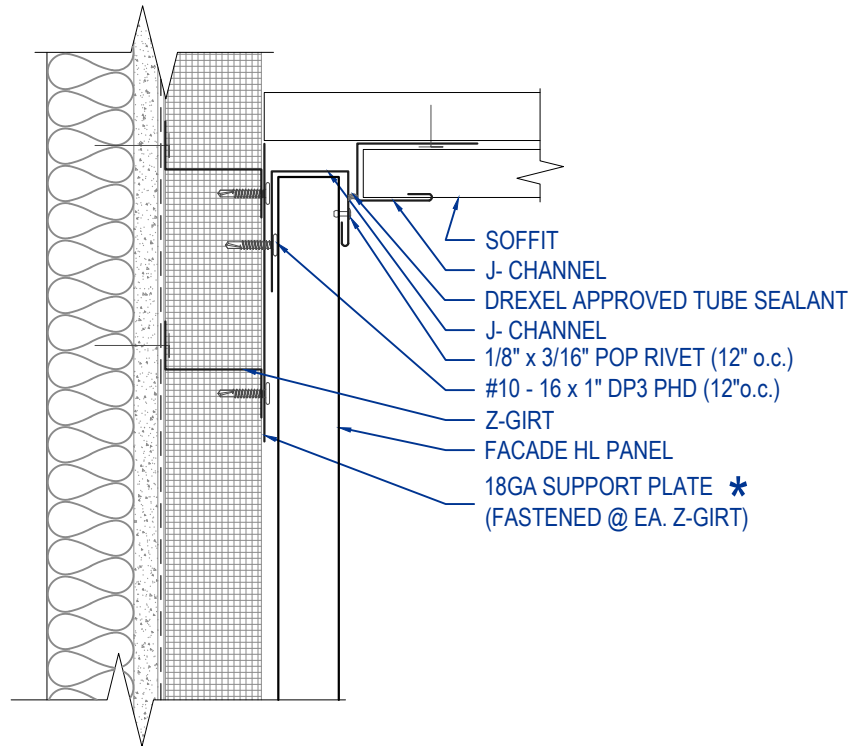
FACADE HL - Z-GIRT
WALL TO SOFFIT DETAIL
VERTICAL APPLICATION



THIS DETAIL DRAWING IS APPLICABLE TO ALL FACADE HL SERIES WALL PANEL PROFILES

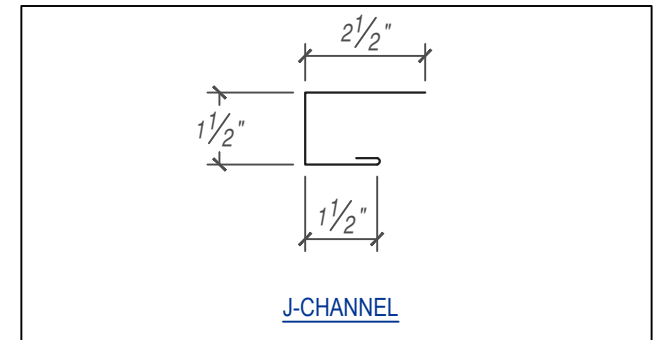


(CONCEALED CLIP OPTION)



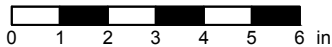
KEYNOTES:

- TRIM FASTENERS ARE SELF-DRILL PANCAKE HEAD AND MUST BE BE INSTALLED IN A STAGGERED PATTERN
- FASTENERS MUST PENETRATE STEEL SUBSTRATE BY 5/8" MINIMUM THREAD LENGTH



DISCLAIMER: DETAIL SHOWN FOR ILLUSTRATION PURPOSES ONLY. ACTUAL PROJECT DETAIL MAY VARY

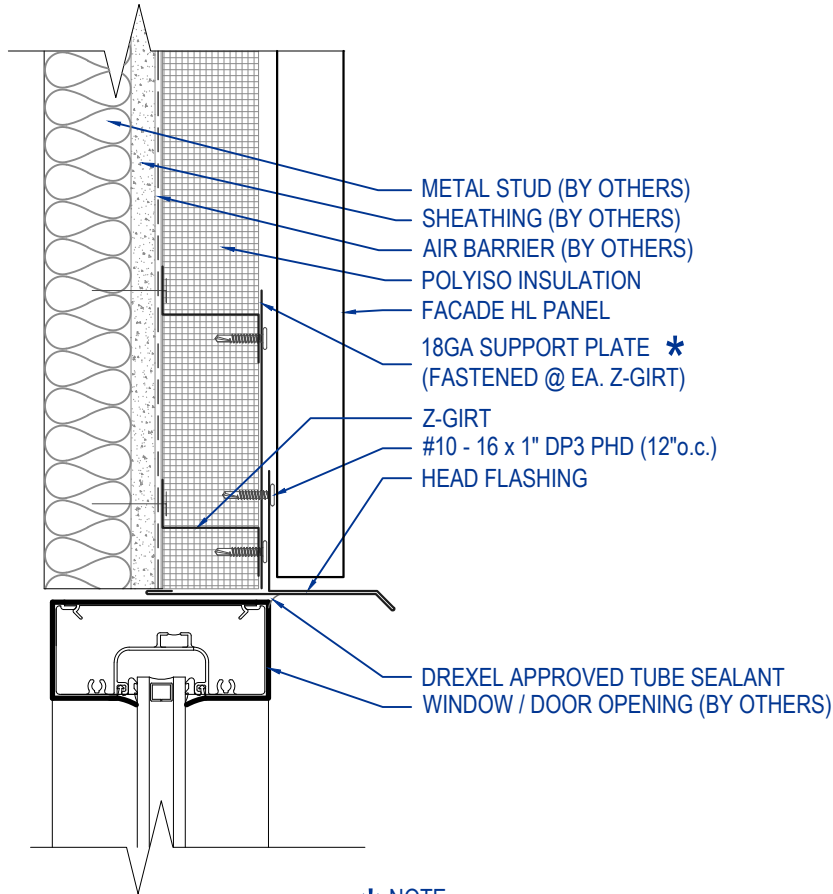
SCALE: 3" = 1'-0"



EFFECTIVE DATE: 01-01-2023
SUBJECT TO CHANGE WITHOUT NOTICE

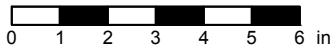
*** NOTE:**
MAY OMIT SUPPORT PLATE IF ATTACHING FLASHING TO STRUCTURAL MEMBER.

FACADE HL - Z-GIRT
WINDOW HEAD DETAIL
VERTICAL APPLICATION



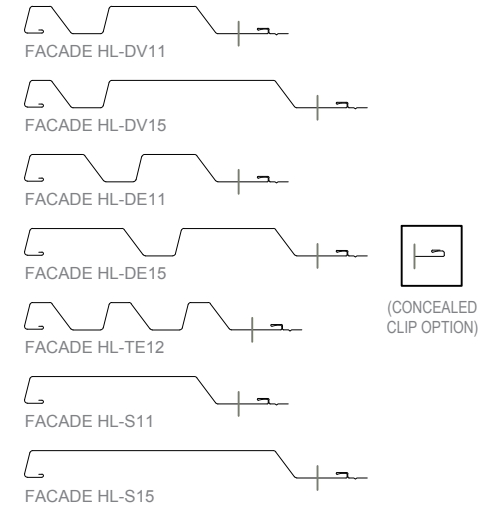
*** NOTE:**
MAY OMIT SUPPORT PLATE IF ATTACHING
FLASHING TO STRUCTURAL MEMBER.

SCALE: 3" = 1'-0"



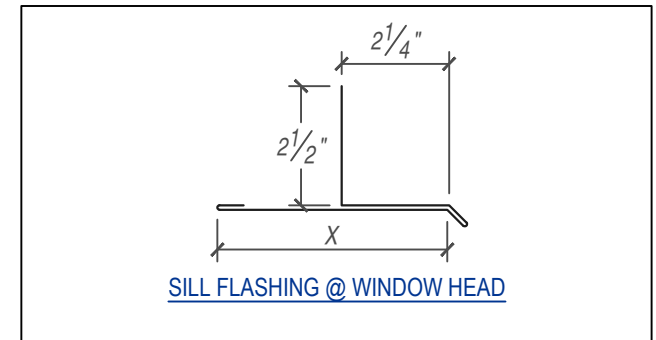
EFFECTIVE DATE: 01-01-2023
SUBJECT TO CHANGE WITHOUT NOTICE

THIS DETAIL DRAWING IS APPLICABLE TO ALL FACADE HL SERIES WALL PANEL PROFILES



KEYNOTES:

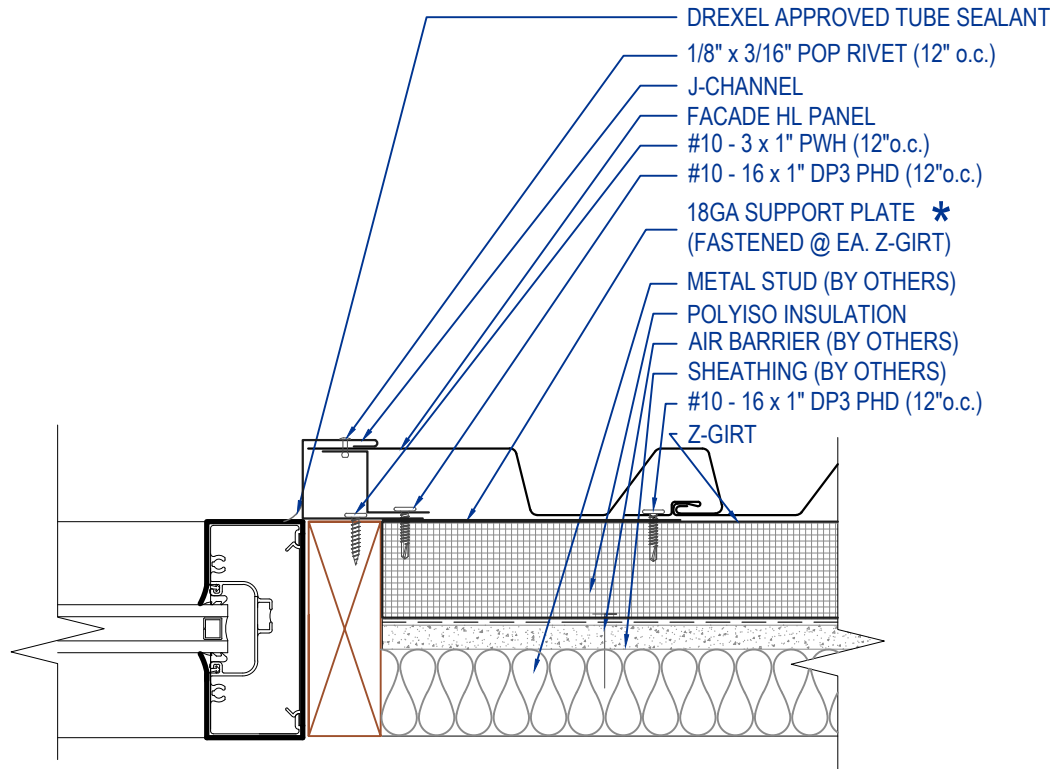
- TRIM FASTENERS ARE SELF-DRILL PANCAKE HEAD AND MUST BE BE INSTALLED IN A STAGGERED PATTERN
- FASTENERS MUST PENETRATE STEEL SUBSTRATE BY 5/8" MINIMUM THREAD LENGTH



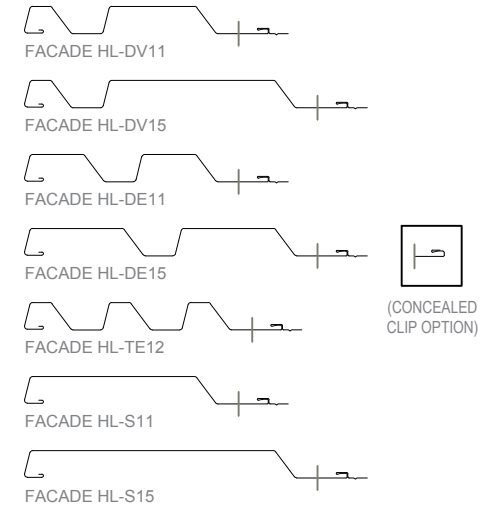
FLASHINGS

DISCLAIMER: DETAIL SHOWN FOR ILLUSTRATION PURPOSES ONLY. ACTUAL PROJECT DETAIL MAY VARY

FACADE HL - WALL CONSTRUCTION
WINDOW JAMB DETAIL
VERTICAL APPLICATION

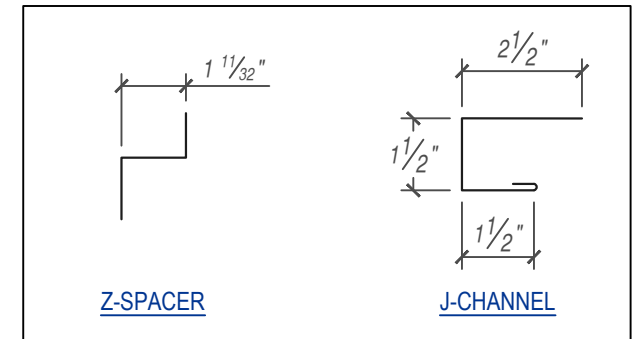


THIS DETAIL DRAWING IS APPLICABLE TO ALL FACADE HL SERIES WALL PANEL PROFILES



KEYNOTES:

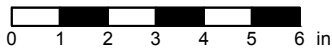
- TRIM FASTENERS ARE SELF-DRILL PANCAKE HEAD AND MUST BE BE INSTALLED IN A STAGGERED PATTERN
- FASTENERS MUST PENETRATE STEEL SUBSTRATE BY 5/8" MINIMUM THREAD LENGTH



FLASHINGS

DISCLAIMER: DETAIL SHOWN FOR ILLUSTRATION PURPOSES ONLY. ACTUAL PROJECT DETAIL MAY VARY

SCALE: 3" = 1'-0"



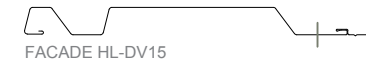
EFFECTIVE DATE: 01-01-2023
SUBJECT TO CHANGE WITHOUT NOTICE

* **NOTE:**
MAY OMIT SUPPORT PLATE IF ATTACHING
FLASHING TO STRUCTURAL MEMBER.

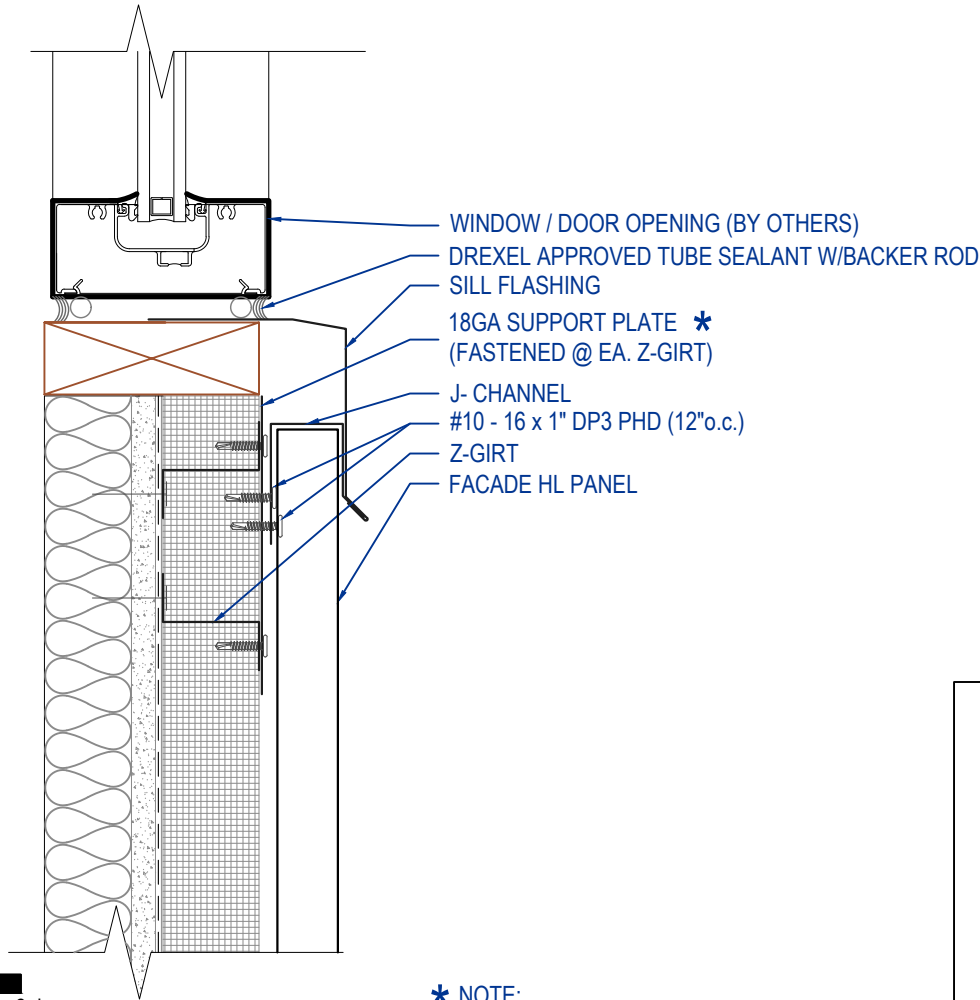
FACADE HL - Z-GIRT
WINDOW SILL DETAIL
VERTICAL APPLICATION



THIS DETAIL DRAWING IS APPLICABLE TO ALL FACADE HL SERIES WALL PANEL PROFILES

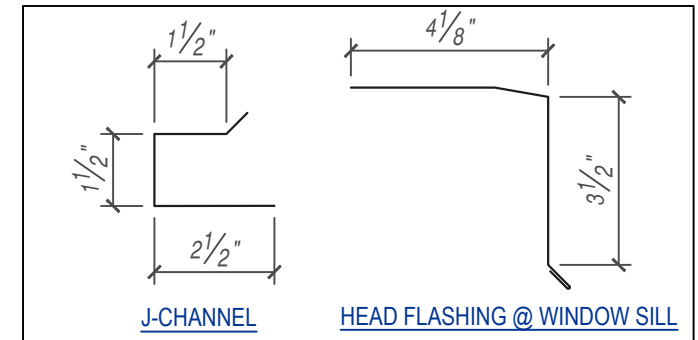


(CONCEALED CLIP OPTION)



KEYNOTES:

- TRIM FASTENERS ARE SELF-DRILL PANCAKE HEAD AND MUST BE BE INSTALLED IN A STAGGERED PATTERN
- FASTENERS MUST PENETRATE STEEL SUBSTRATE BY 5/8" MINIMUM THREAD LENGTH



J-CHANNEL

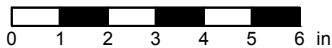
HEAD FLASHING @ WINDOW SILL

FLASHINGS

*** NOTE:**
MAY OMIT SUPPORT PLATE IF ATTACHING FLASHING TO STRUCTURAL MEMBER.

DISCLAIMER: DETAIL SHOWN FOR ILLUSTRATION PURPOSES ONLY. ACTUAL PROJECT DETAIL MAY VARY

SCALE: 3" = 1'-0"



EFFECTIVE DATE: 01-01-2023
SUBJECT TO CHANGE WITHOUT NOTICE