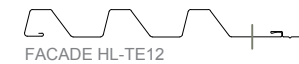
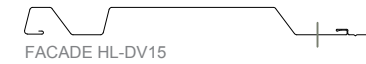


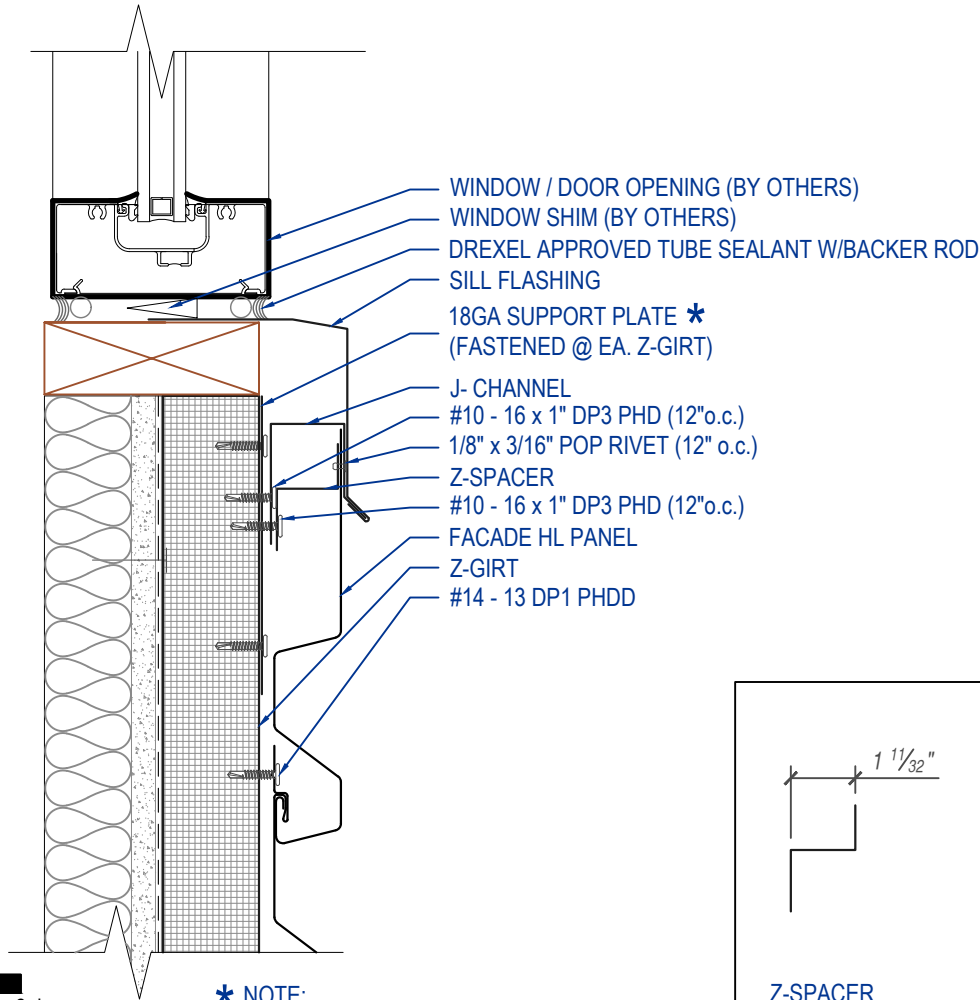
FACADE HL - Z-GIRT  
**WINDOW SILL DETAIL**  
HORIZONTAL APPLICATION



THIS DETAIL DRAWING IS APPLICABLE TO ALL FACADE HL SERIES WALL PANEL PROFILES

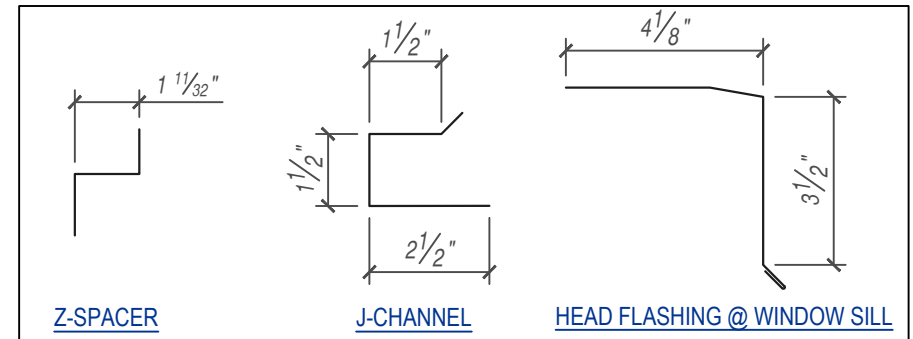


(CONCEALED CLIP OPTION)



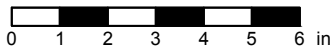
**KEYNOTES:**

- TRIM FASTENERS ARE SELF-DRILL PANCAKE HEAD AND MUST BE BE INSTALLED IN A STAGGERED PATTERN
- FASTENERS MUST PENETRATE STEEL SUBSTRATE BY 5/8" MINIMUM THREAD LENGTH



DISCLAIMER: DETAIL SHOWN FOR ILLUSTRATION PURPOSES ONLY. ACTUAL PROJECT DETAIL MAY VARY

SCALE: 3" = 1'-0"



EFFECTIVE DATE: 01-01-2023  
SUBJECT TO CHANGE WITHOUT NOTICE

**\* NOTE:**  
MAY OMIT SUPPORT PLATE IF ATTACHING FLASHING TO STRUCTURAL MEMBER.