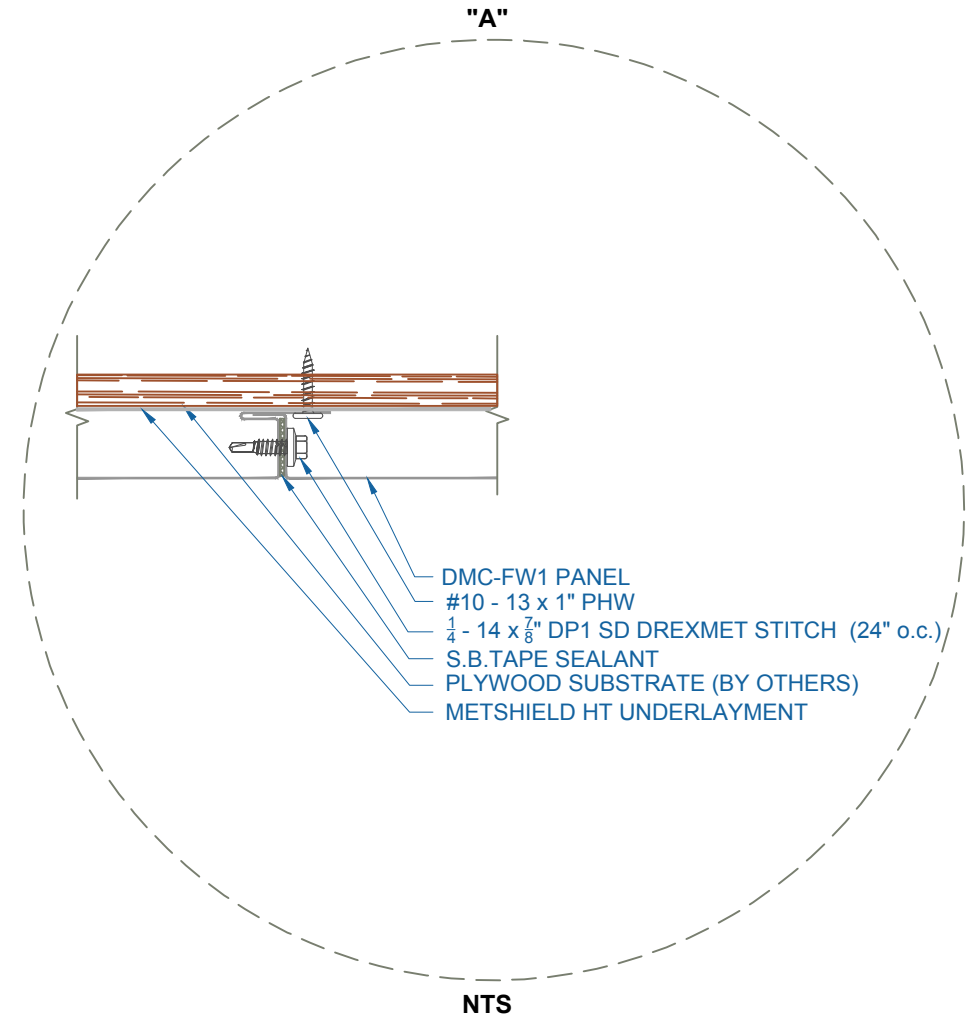
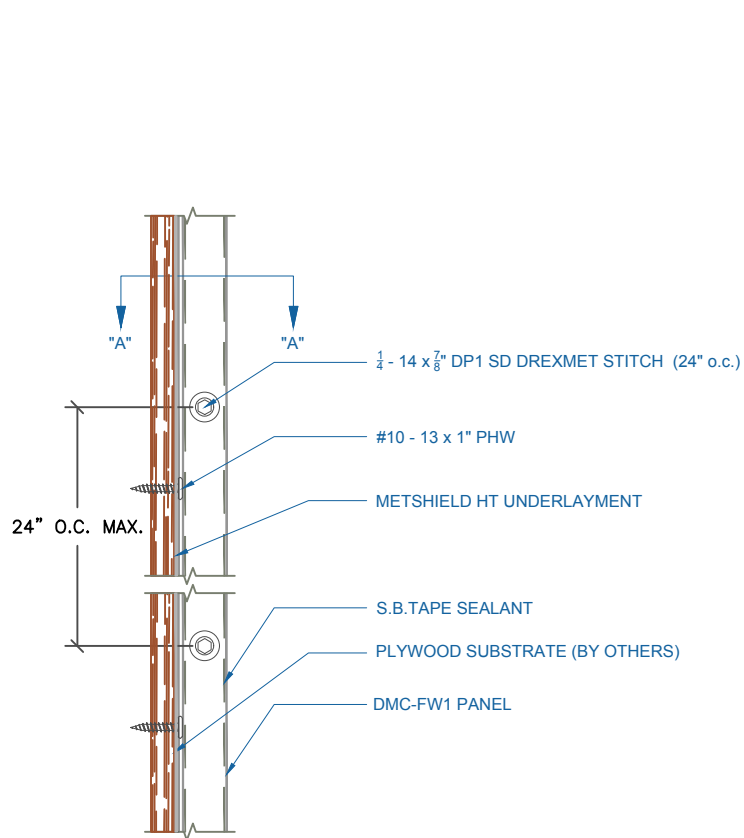


# DMC FW1 - PLYWOOD



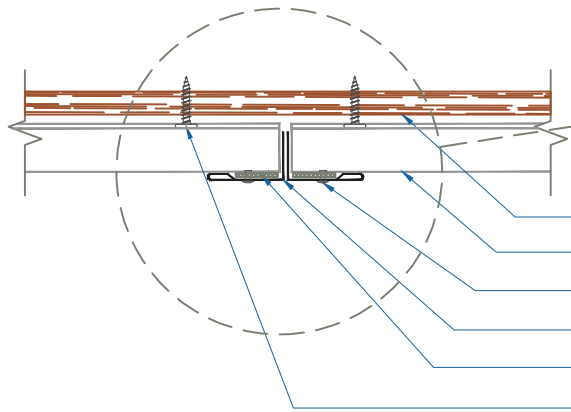
EFFECTIVE DATE: 05-11-18  
SUBJECT TO CHANGE WITHOUT NOTICE

## WALL PANEL INSTALLATION

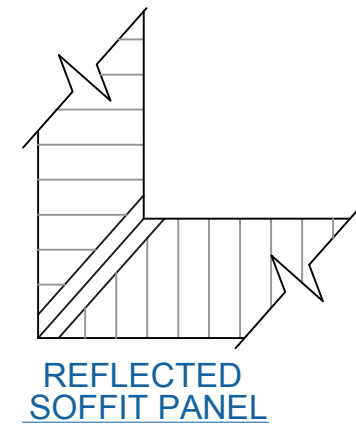
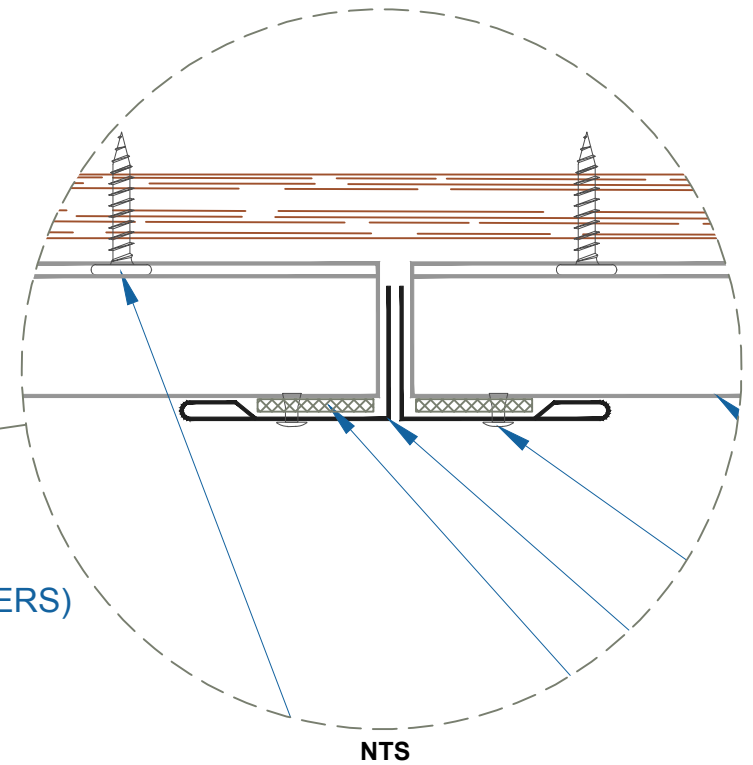
SCALE: 3" = 1'-0"

# DMC FW1 - PLYWOOD

ZOOMED IN VIEW



- PLYWOOD SUBSTRATE (BY OTHERS)
- DMC-FW1 PANEL
- 1/8" x 3/16" POP RIVET (12" o.c.)
- CORNER SPLICE TRIM
- S.B.TAPE SEALANT
- #10 - 13 x 1" PHW (12" o.c.)

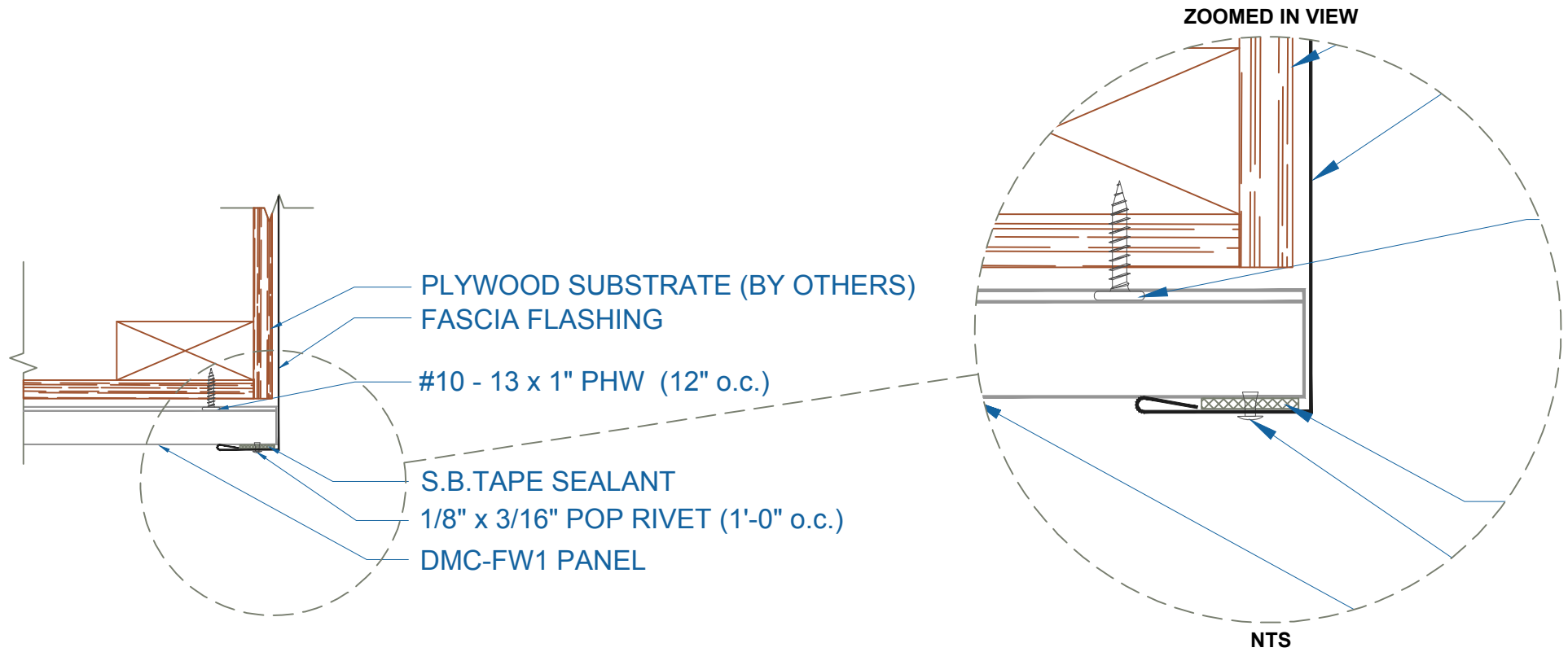


EFFECTIVE DATE: 05-11-18  
SUBJECT TO CHANGE WITHOUT NOTICE

## CORNER SPLICE

SCALE: 3" = 1'-0"

# DMC FW1 - PLYWOOD

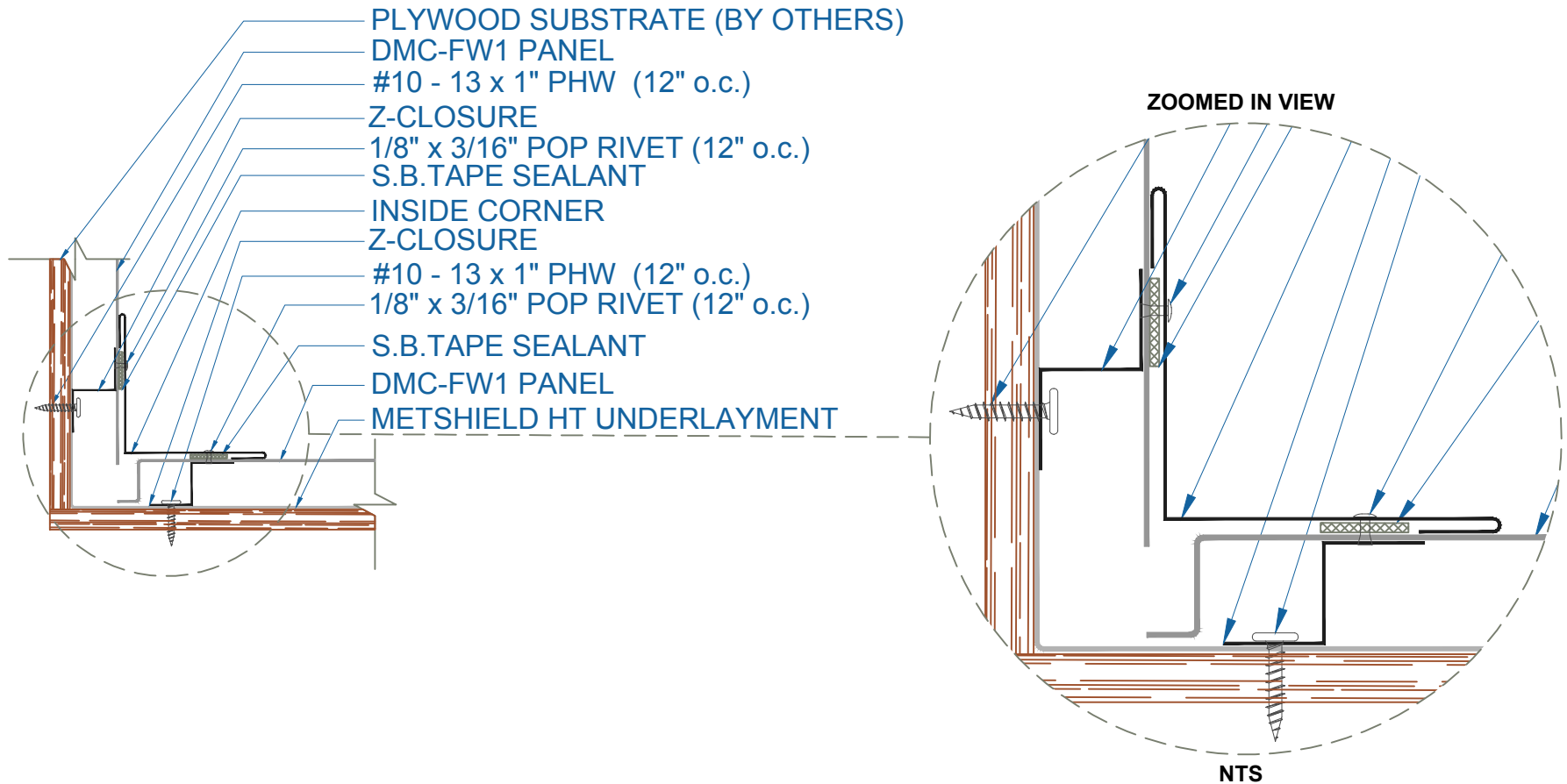


EFFECTIVE DATE: 05-11-18  
SUBJECT TO CHANGE WITHOUT NOTICE

## FASCIA TO SOFFIT

SCALE: 3" = 1'-0"

# DMC FW1 - PLYWOOD

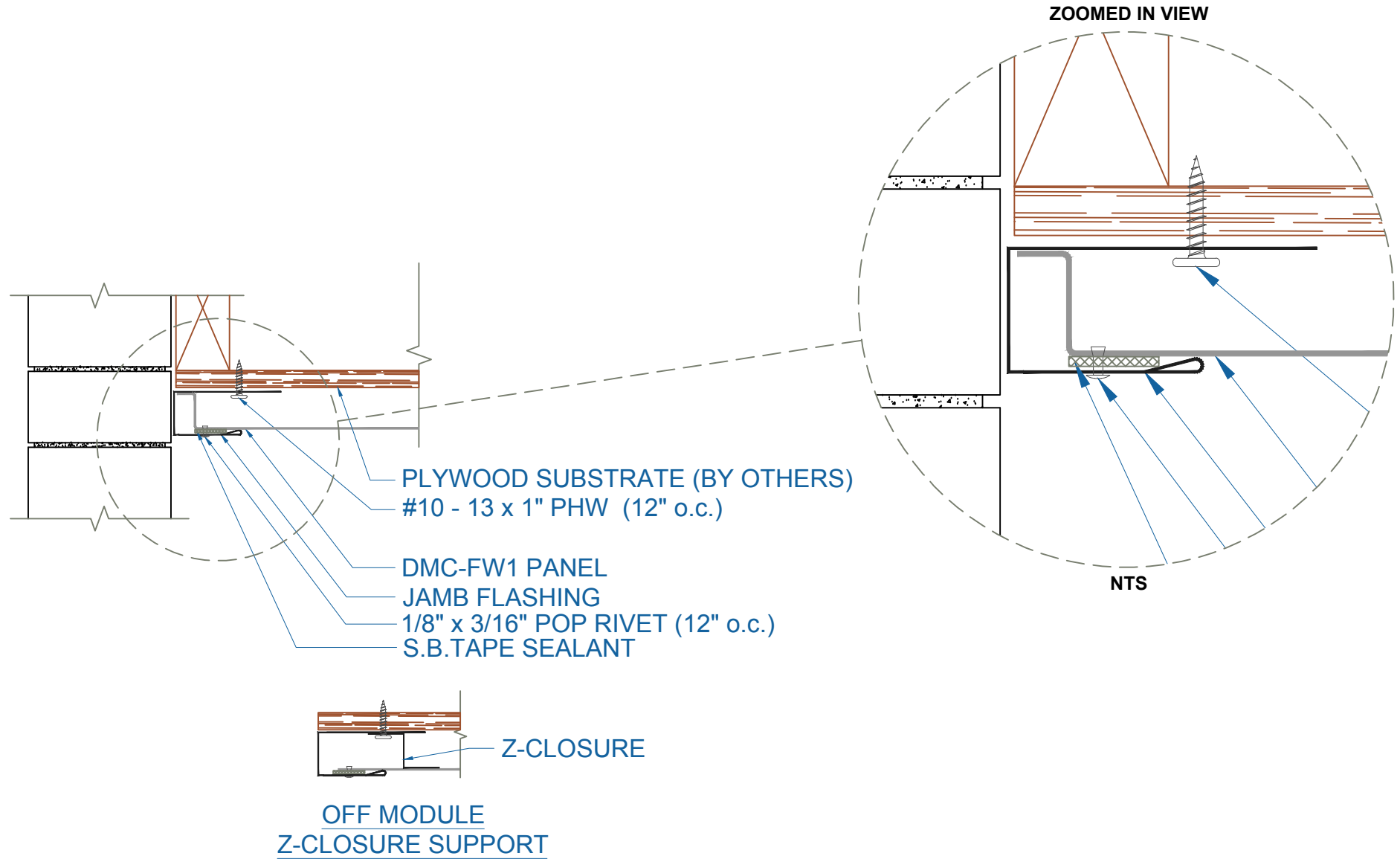


EFFECTIVE DATE: 05-11-18  
SUBJECT TO CHANGE WITHOUT NOTICE

## INSIDE CORNER

SCALE: 3" = 1'-0"

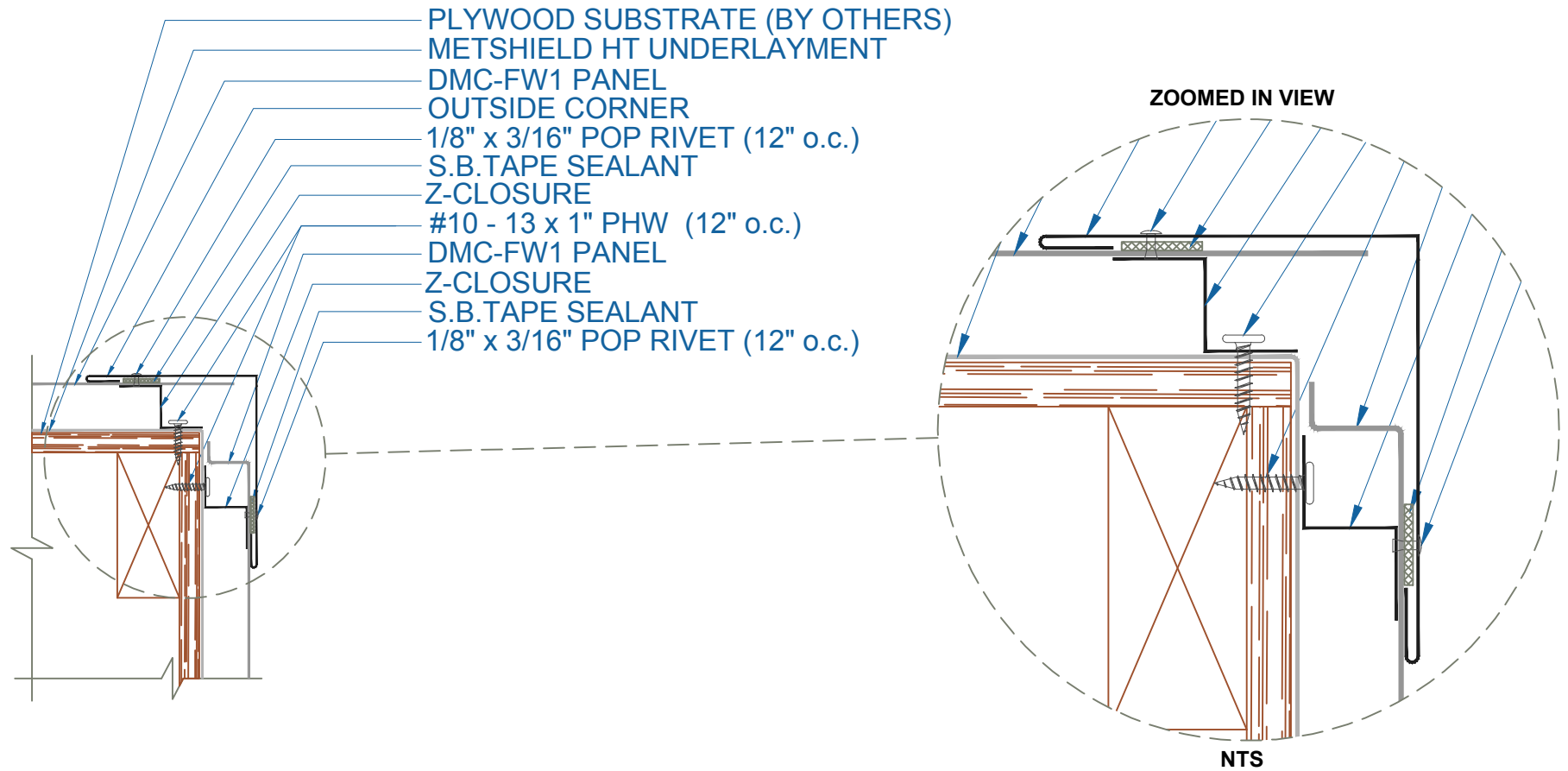
# DMC FW1 - PLYWOOD



EFFECTIVE DATE: 05-11-18  
SUBJECT TO CHANGE WITHOUT NOTICE

**JAMB**  
SCALE: 3" = 1'-0"

# DMC FW1 - PLYWOOD

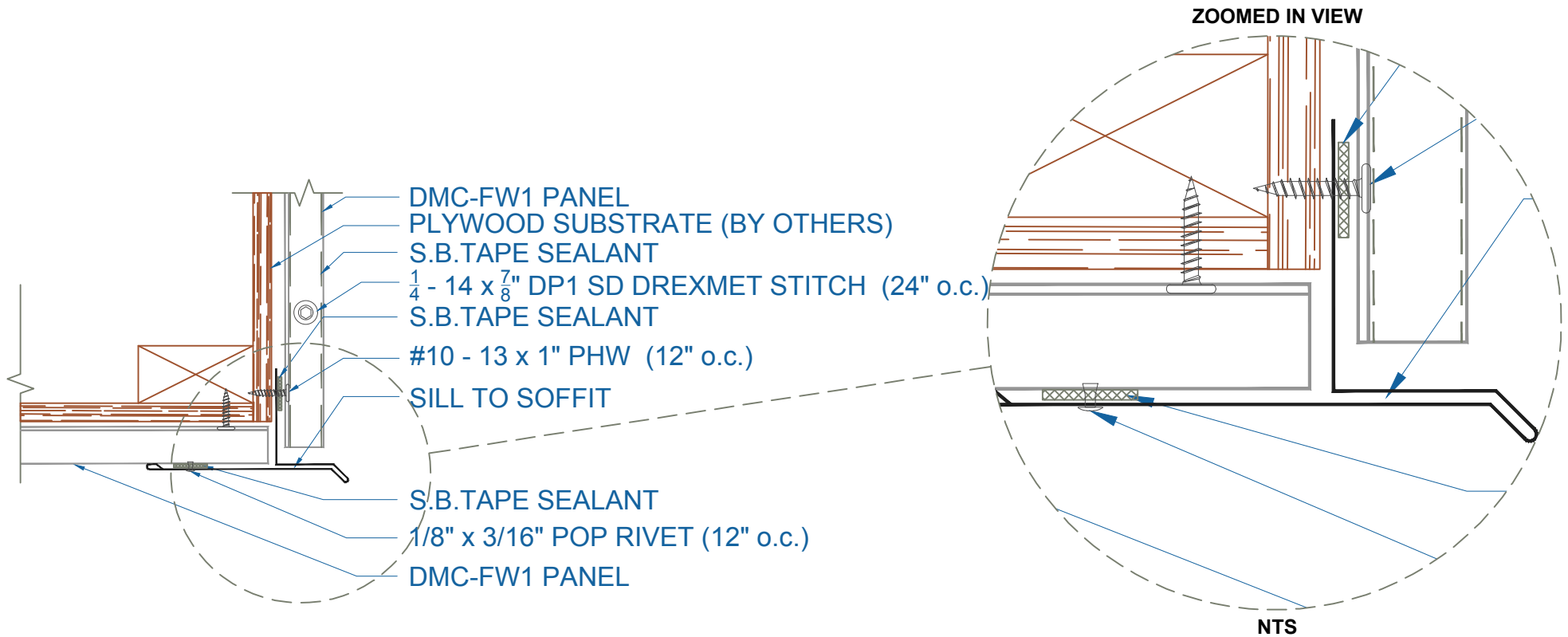


## OUTSIDE CORNER

SUBJECT TO CHANGE WITHOUT NOTICE

SCALE: 3" = 1'-0"

# DMC FW1 - PLYWOOD

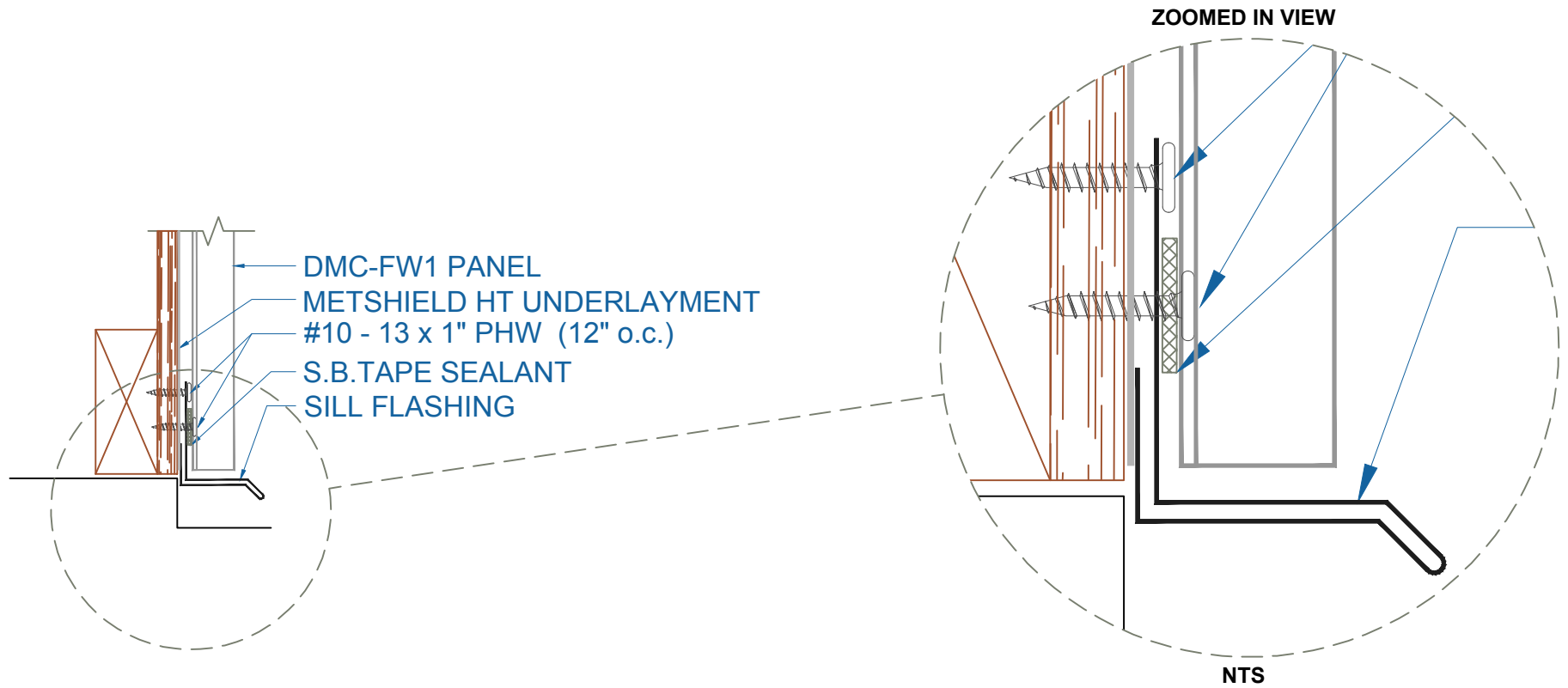


EFFECTIVE DATE: 05-11-18  
SUBJECT TO CHANGE WITHOUT NOTICE

## SILL TO SOFFIT

SCALE: 3" = 1'-0"

# DMC FW1 - PLYWOOD

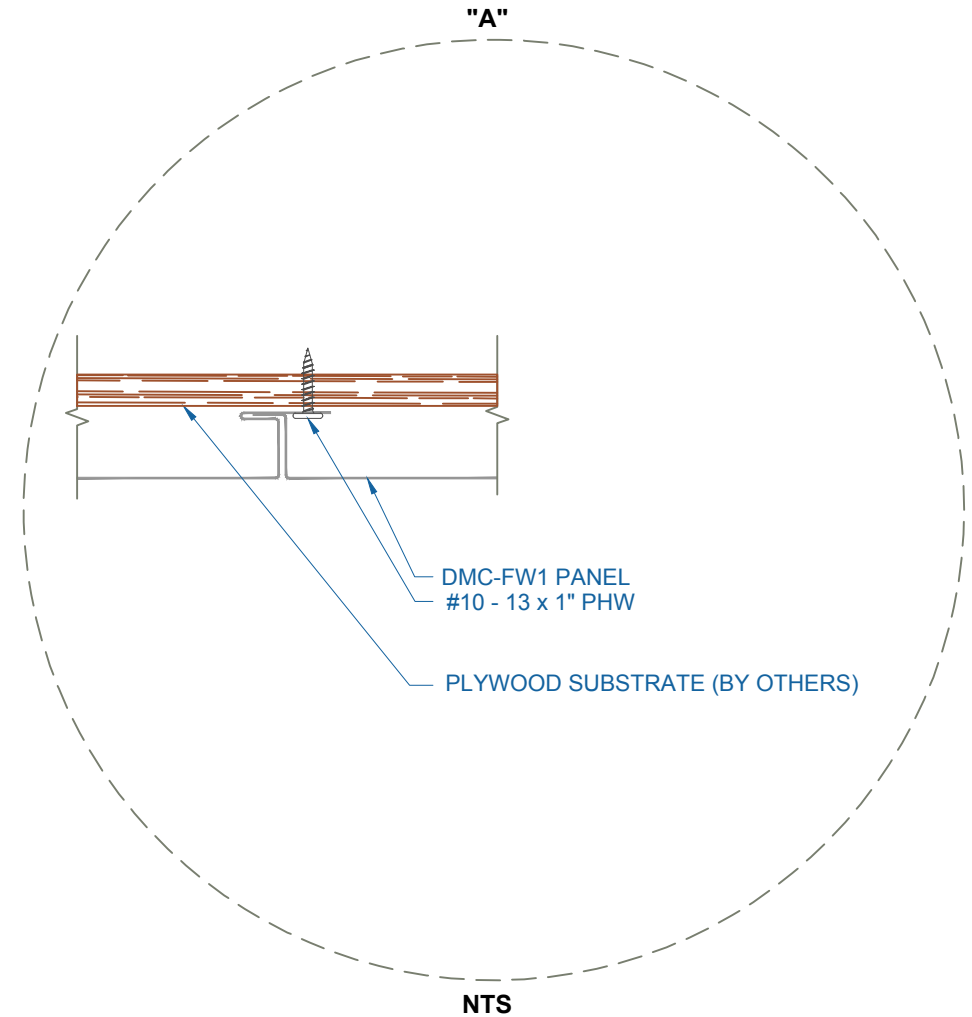
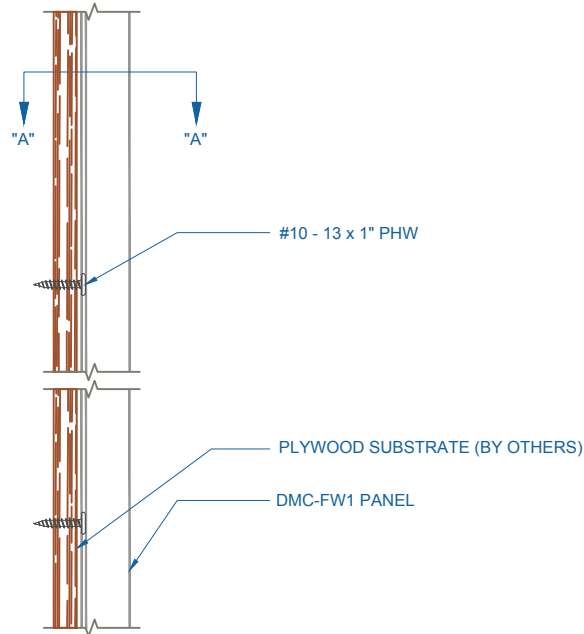


EFFECTIVE DATE: 05-11-18  
SUBJECT TO CHANGE WITHOUT NOTICE

**SILL**  
SCALE: 3" = 1'-0"



# DMC FW1 - PLYWOOD



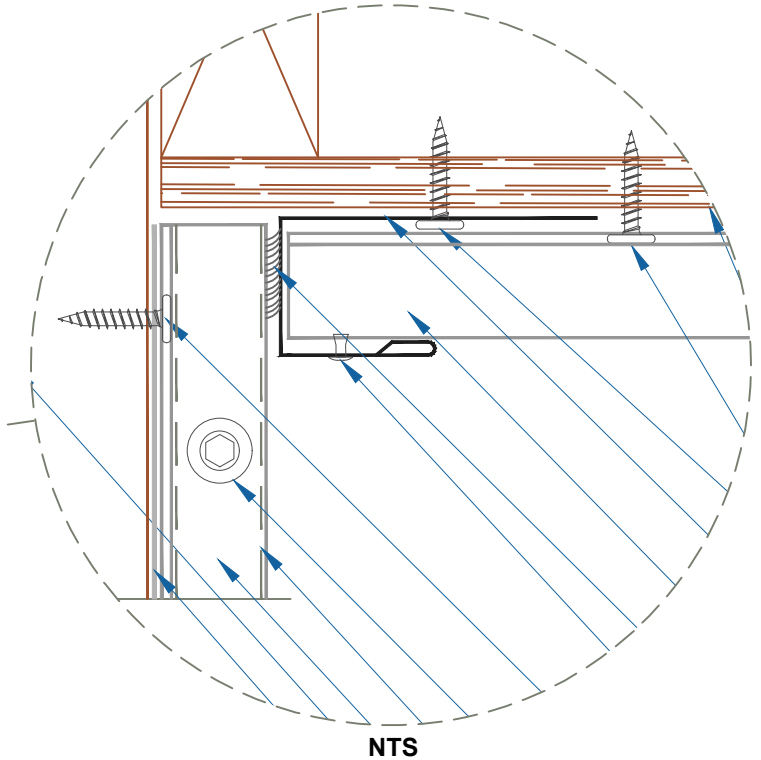
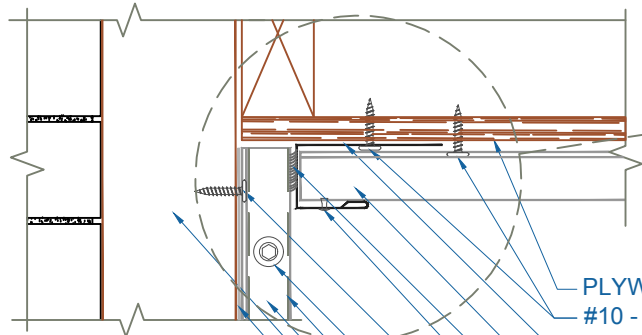
EFFECTIVE DATE: 05-11-18  
SUBJECT TO CHANGE WITHOUT NOTICE

## SOFFIT PANEL INSTALLATION

SCALE: 3" = 1'-0"

# DMC FW1 - PLYWOOD

ZOOMED IN VIEW



- PLYWOOD SUBSTRATE (BY OTHERS)
- #10 - 13 x 1" PHW (12" o.c.)
- JAMB FLASHING
- DMC-FW1 PANEL
- DREXEL APPROVED TUBE SEALANT
- 1/8" x 3/16" POP RIVET (12" o.c.)
- #10 - 13 x 1" PHW
- 1/4" - 14 x 7/8" DP1 SD DREXMET STITCH (24" o.c.)
- S.B.TAPE SEALANT
- DMC-FW1 PANEL
- FRAMING MEMBER (BY OTHERS)
- METSHIELD HT UNDERLAYMENT

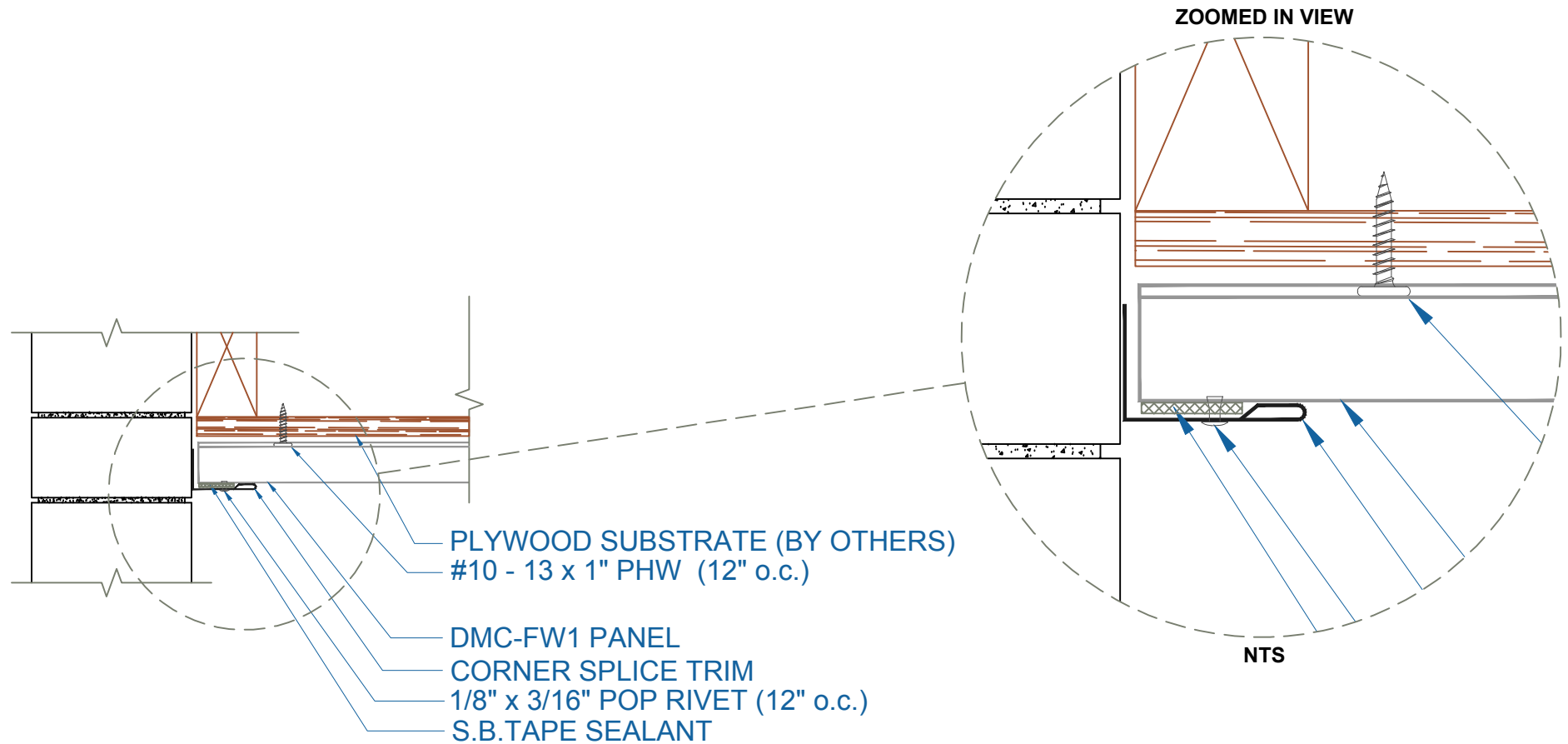
NTS

EFFECTIVE DATE: 05-11-18  
 SUBJECT TO CHANGE WITHOUT NOTICE

## SOFFIT TO WALL PANEL

SCALE: 3" = 1'-0"

# DMC FW1 - PLYWOOD



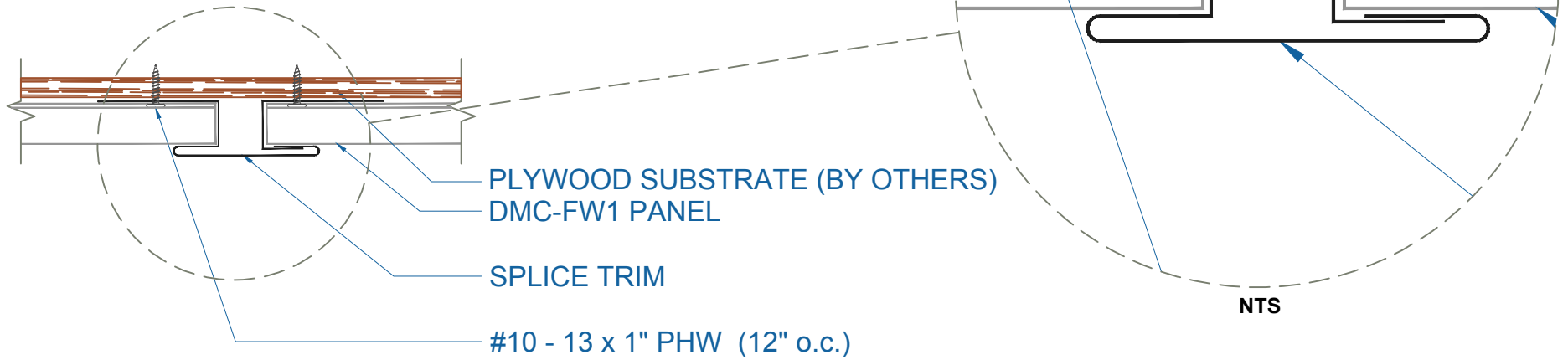
EFFECTIVE DATE: 05-11-18  
SUBJECT TO CHANGE WITHOUT NOTICE

## SOFFIT TO WALL

SCALE: 3" = 1'-0"

# DMC FW1 - PLYWOOD

ZOOMED IN VIEW

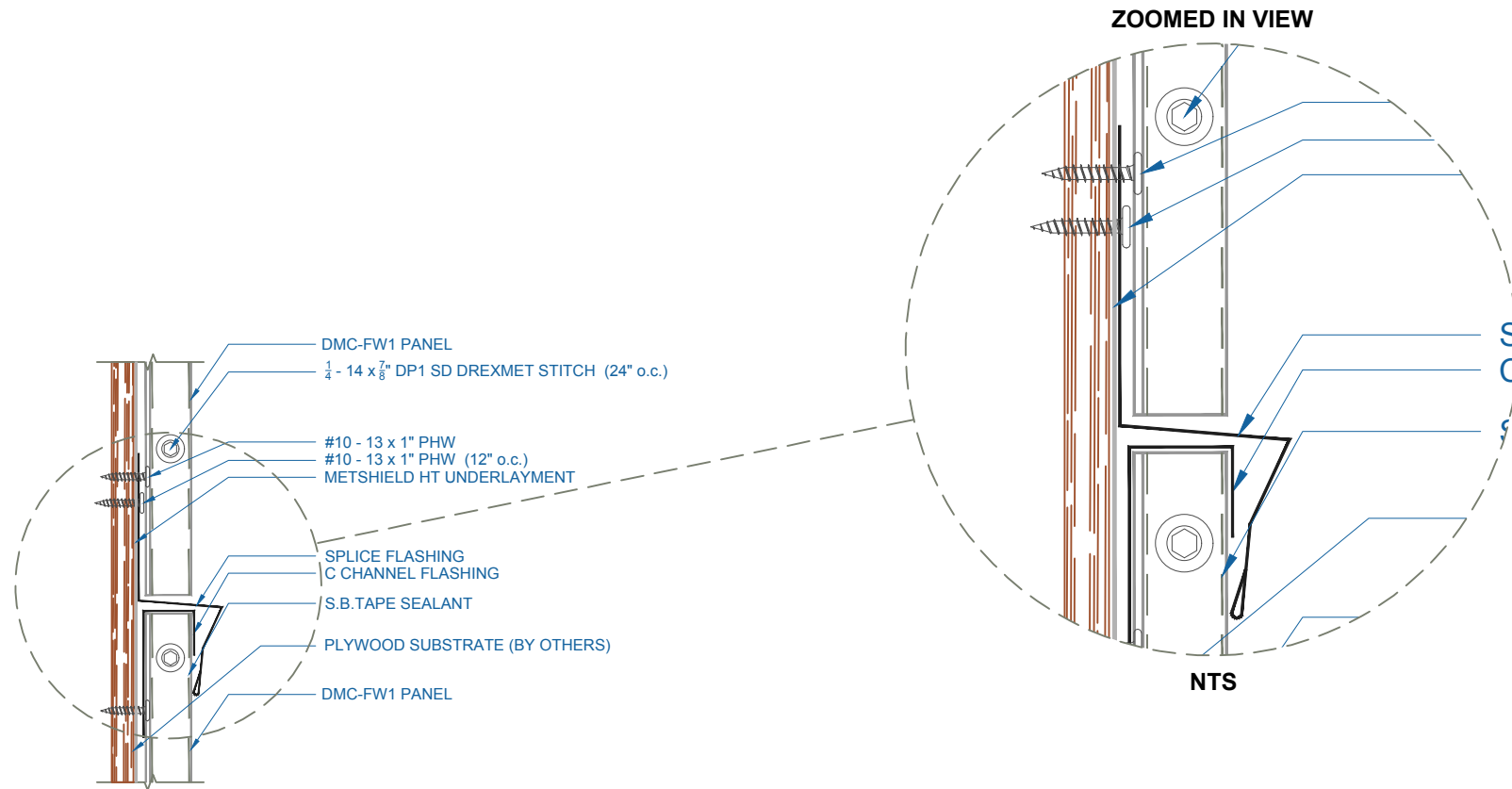


EFFECTIVE DATE: 05-11-18  
SUBJECT TO CHANGE WITHOUT NOTICE

## SPLICE

SCALE: 3" = 1'-0"

# DMC FW1 - PLYWOOD

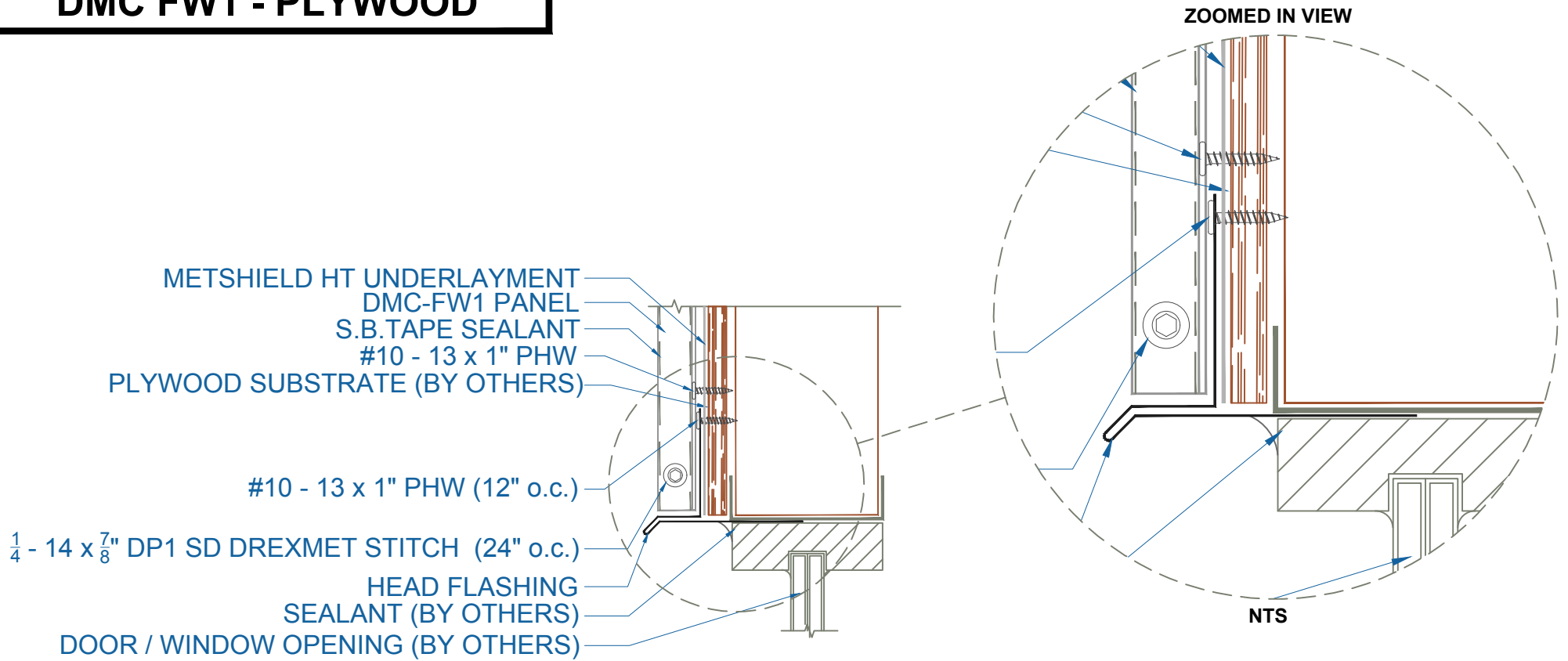


EFFECTIVE DATE: 05-11-18  
SUBJECT TO CHANGE WITHOUT NOTICE

## WALL PANEL SPLICE

SCALE: 3" = 1'-0"

# DMC FW1 - PLYWOOD

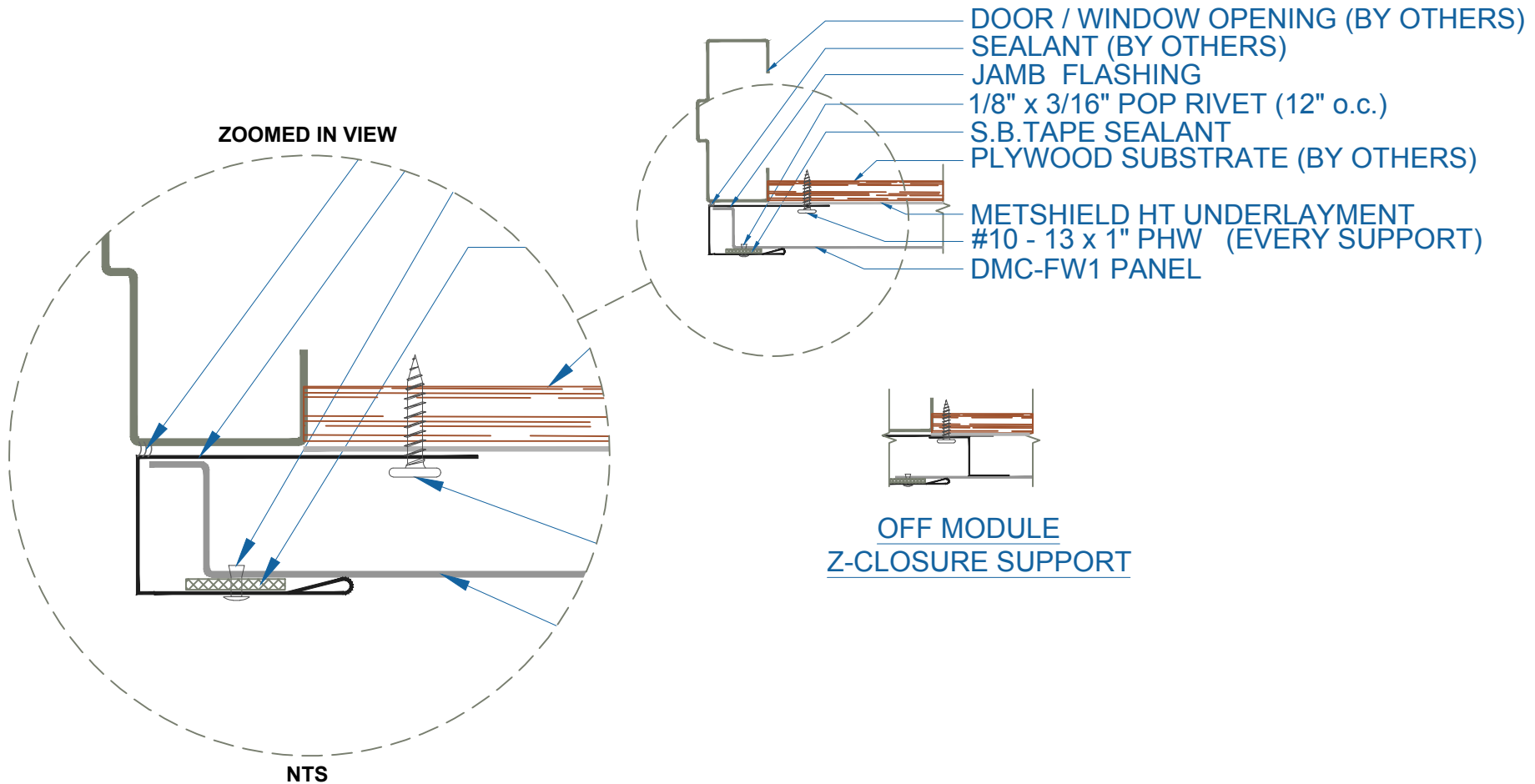


EFFECTIVE DATE: 05-11-18  
SUBJECT TO CHANGE WITHOUT NOTICE

## WINDOW-DOOR HEAD

SCALE: 3" = 1'-0"

# DMC FW1 - PLYWOOD

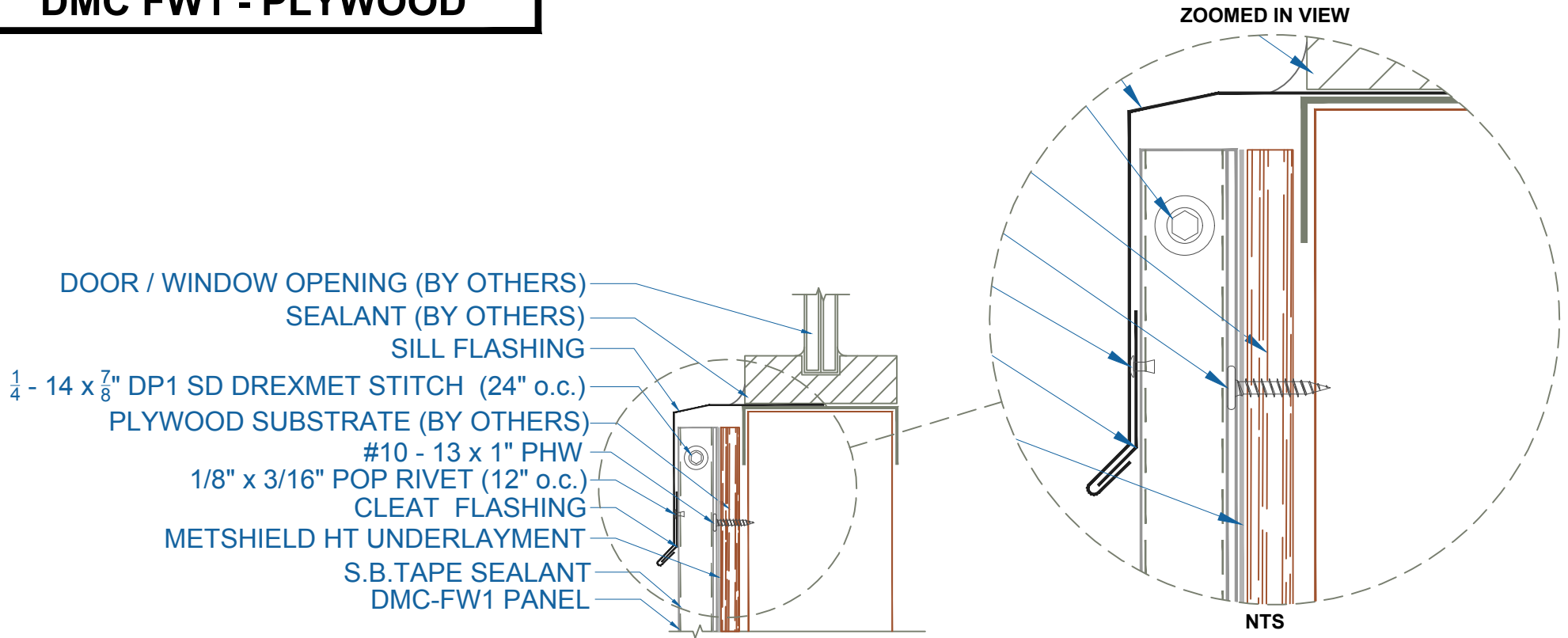


EFFECTIVE DATE: 05-11-18  
SUBJECT TO CHANGE WITHOUT NOTICE

## WINDOW-DOOR JAMB

SCALE: 3" = 1'-0"

# DMC FW1 - PLYWOOD



EFFECTIVE DATE: 05-11-18  
 SUBJECT TO CHANGE WITHOUT NOTICE

## WINDOW-DOOR SILL

SCALE: 3" = 1'-0"