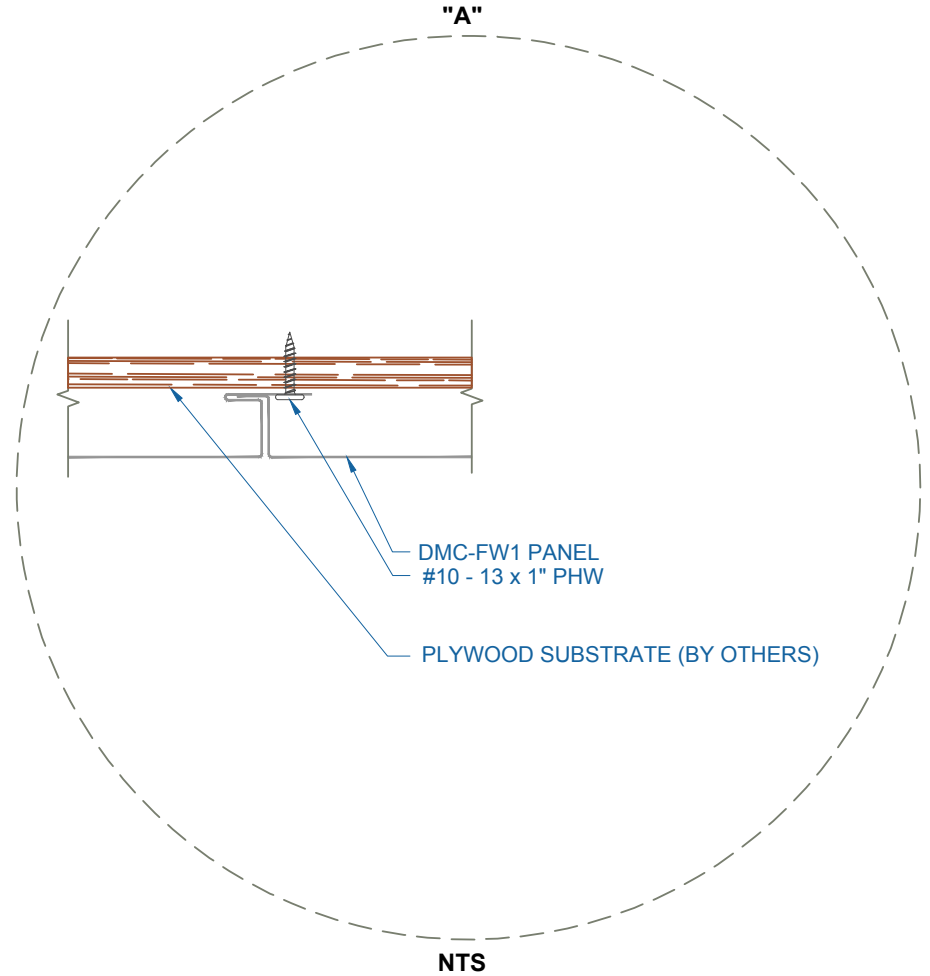
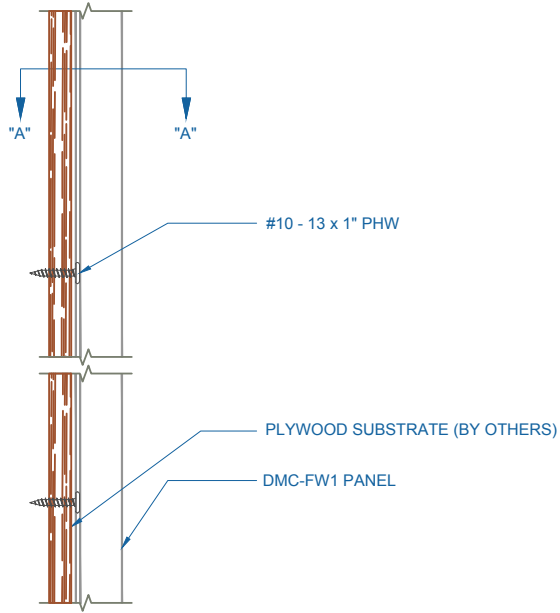


DMC FW1 - PLYWOOD

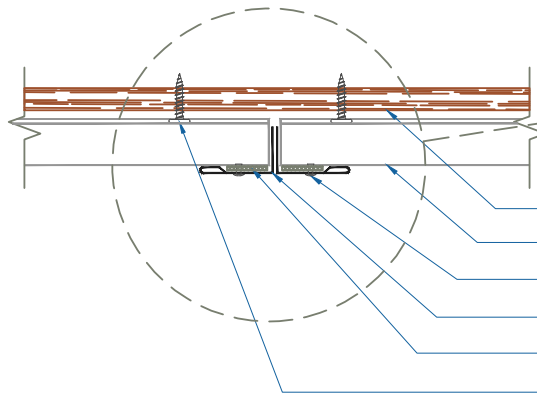


SOFFIT PANEL INSTALLATION

SCALE: 3" = 1'-0"

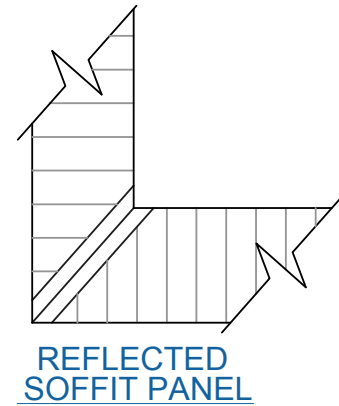
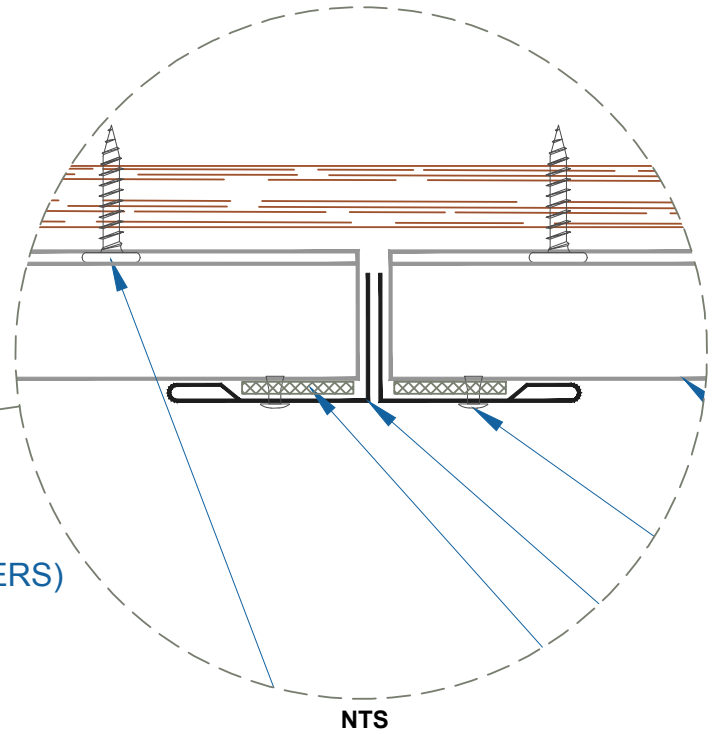
EFFECTIVE DATE: 05-11-18
SUBJECT TO CHANGE WITHOUT NOTICE

DMC FW1 - PLYWOOD



- PLYWOOD SUBSTRATE (BY OTHERS)
- DMC-FW1 PANEL
- 1/8" x 3/16" POP RIVET (12" o.c.)
- CORNER SPLICE TRIM
- S.B.TAPE SEALANT
- #10 - 13 x 1" PHW (12" o.c.)

ZOOMED IN VIEW

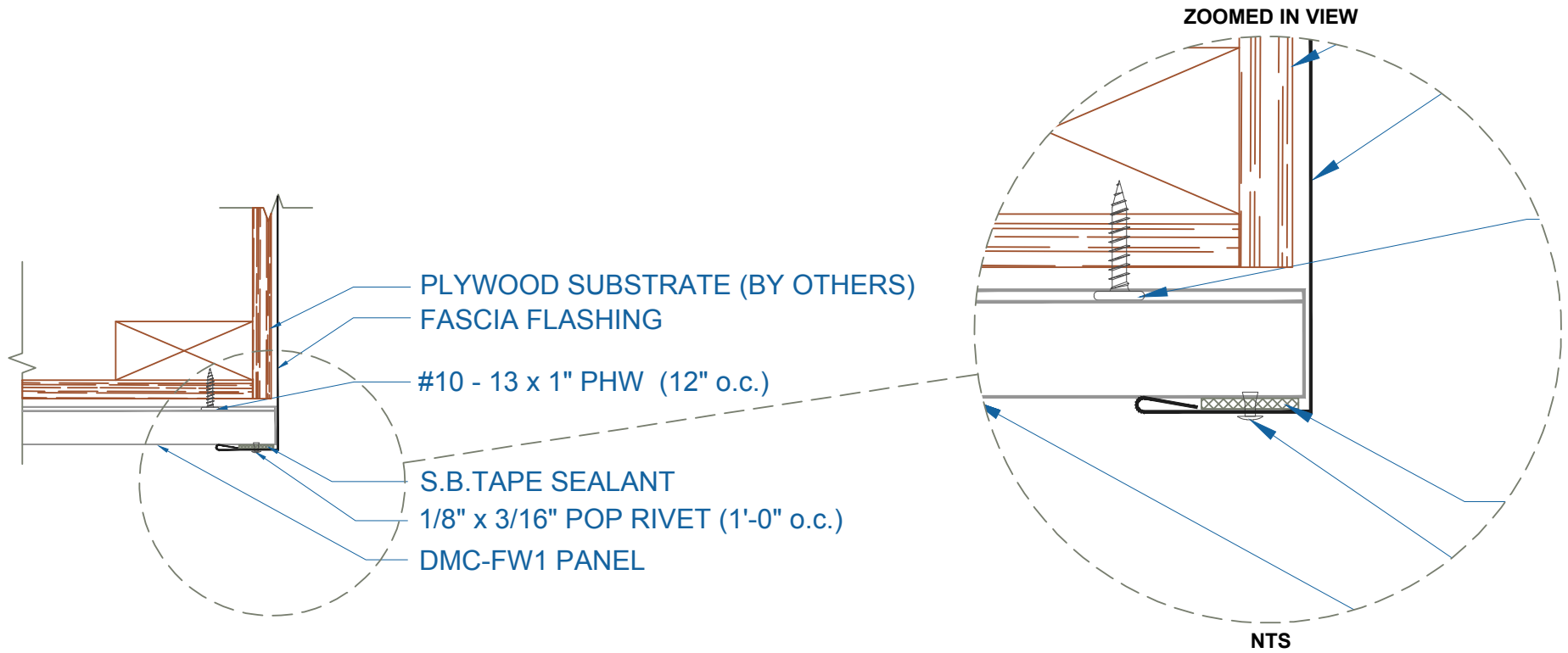


EFFECTIVE DATE: 05-11-18
SUBJECT TO CHANGE WITHOUT NOTICE

CORNER SPLICE

SCALE: 3" = 1'-0"

DMC FW1 - PLYWOOD

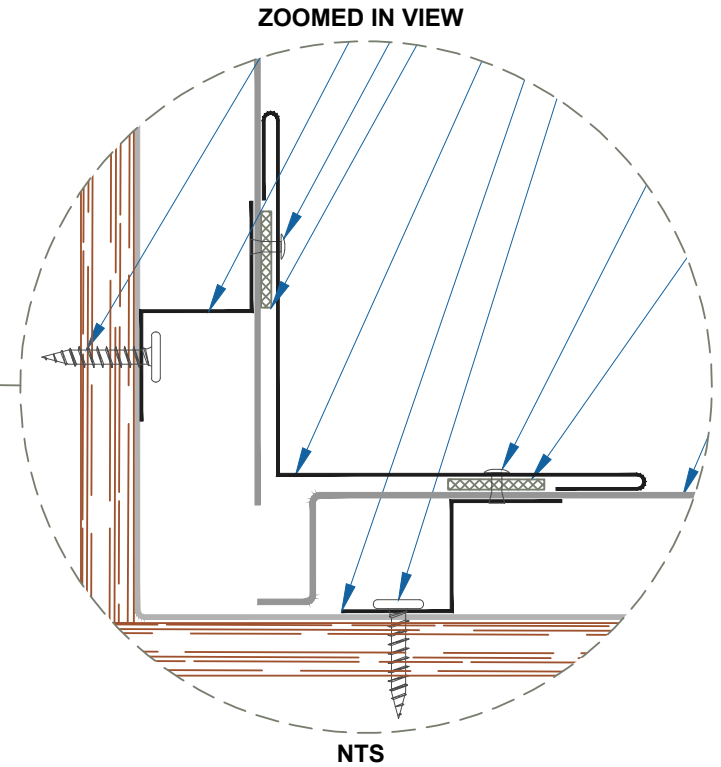
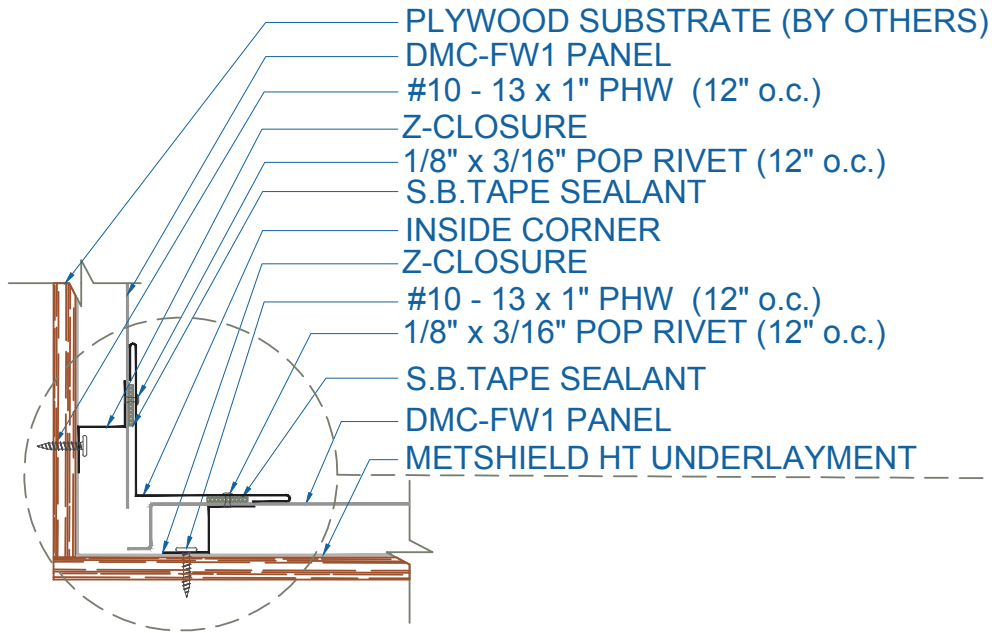


EFFECTIVE DATE: 05-11-18
SUBJECT TO CHANGE WITHOUT NOTICE

FASCIA TO SOFFIT

SCALE: 3" = 1'-0"

DMC FW1 - PLYWOOD

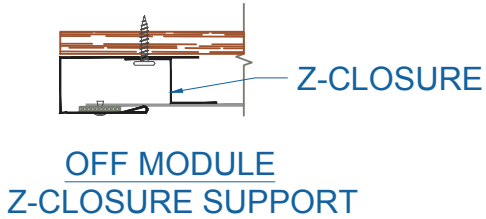
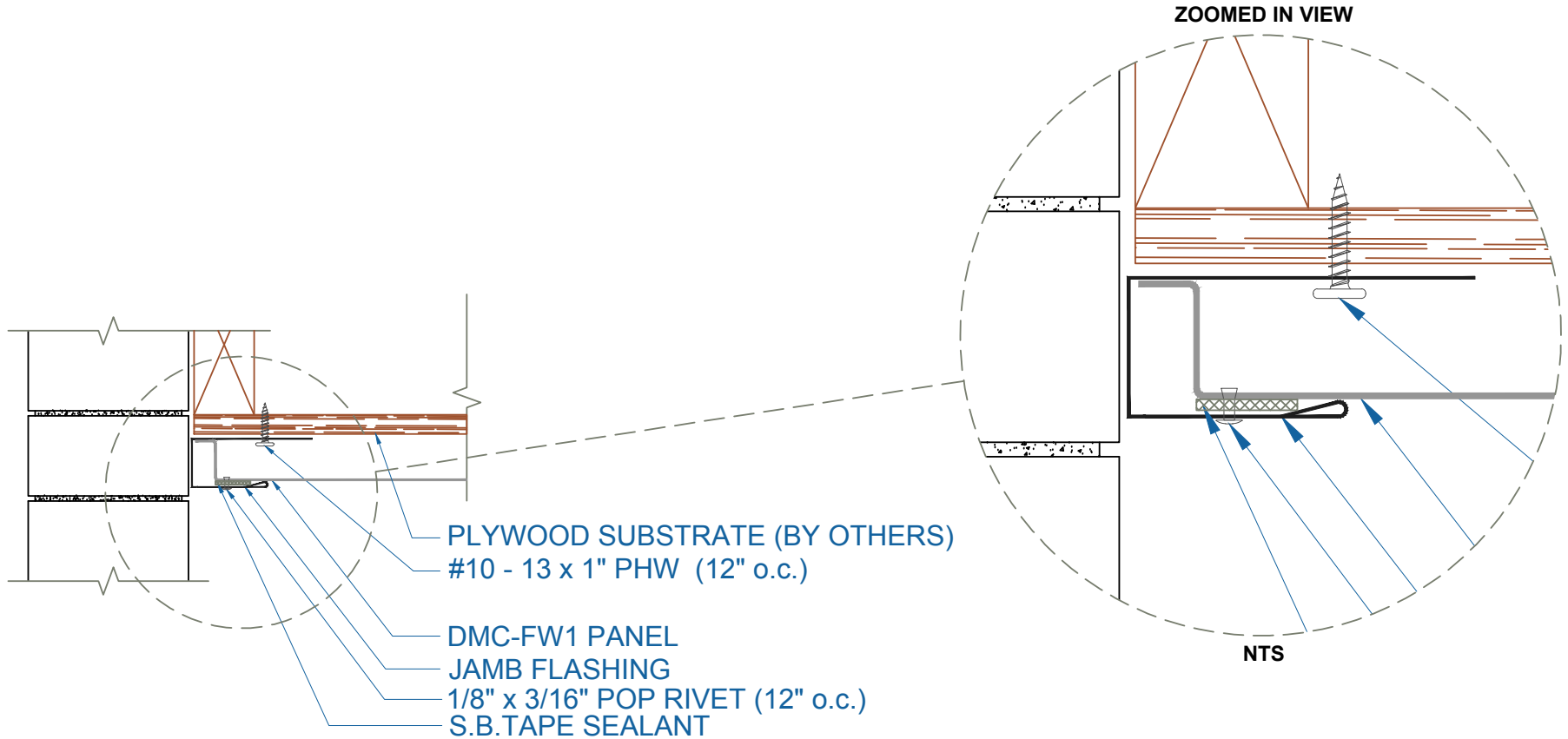


EFFECTIVE DATE: 05-11-18
 SUBJECT TO CHANGE WITHOUT NOTICE

INSIDE CORNER

SCALE: 3" = 1'-0"

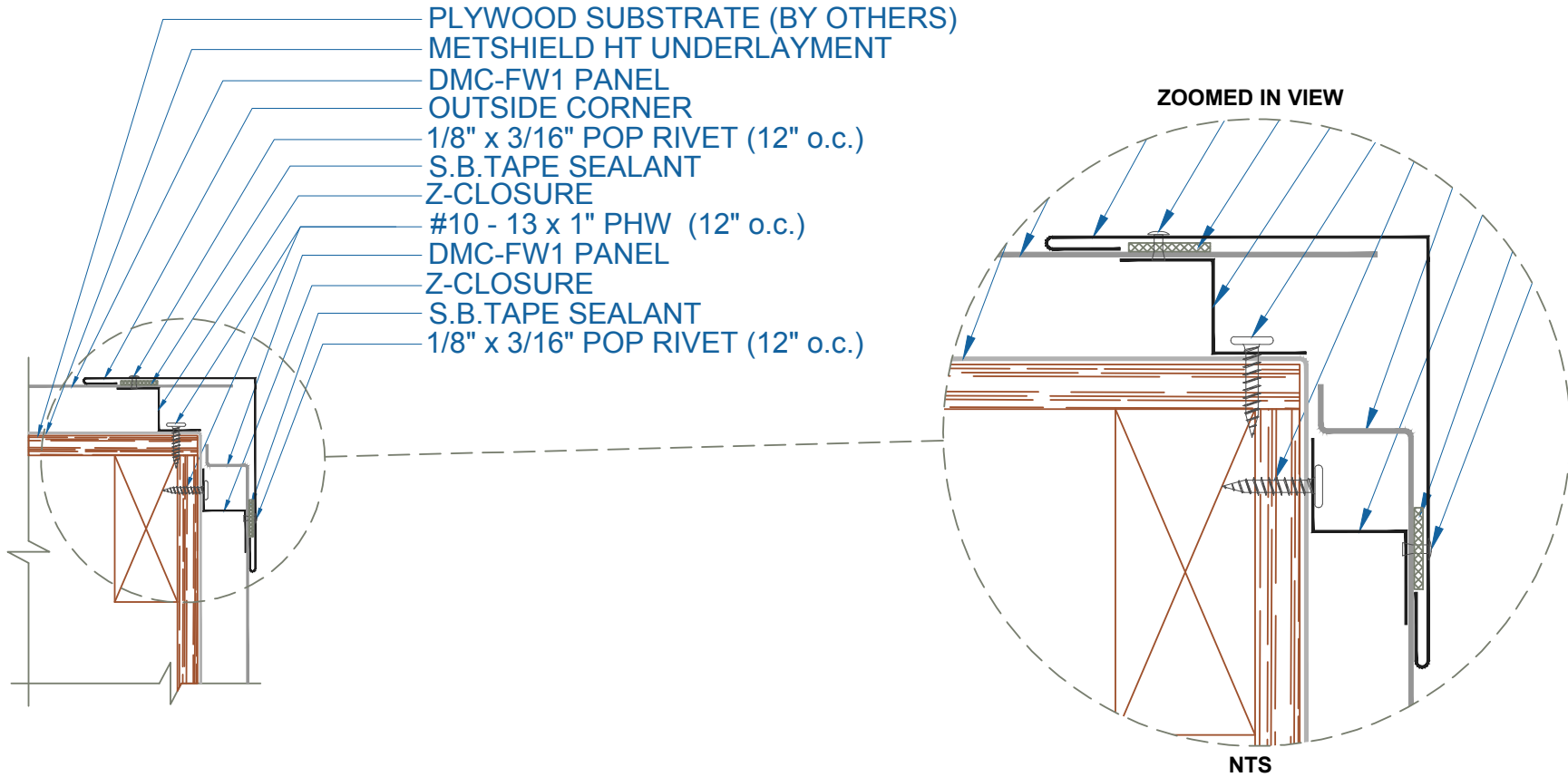
DMC FW1 - PLYWOOD



EFFECTIVE DATE: 05-11-18
SUBJECT TO CHANGE WITHOUT NOTICE

JAMB
SCALE: 3" = 1'-0"

DMC FW1 - PLYWOOD

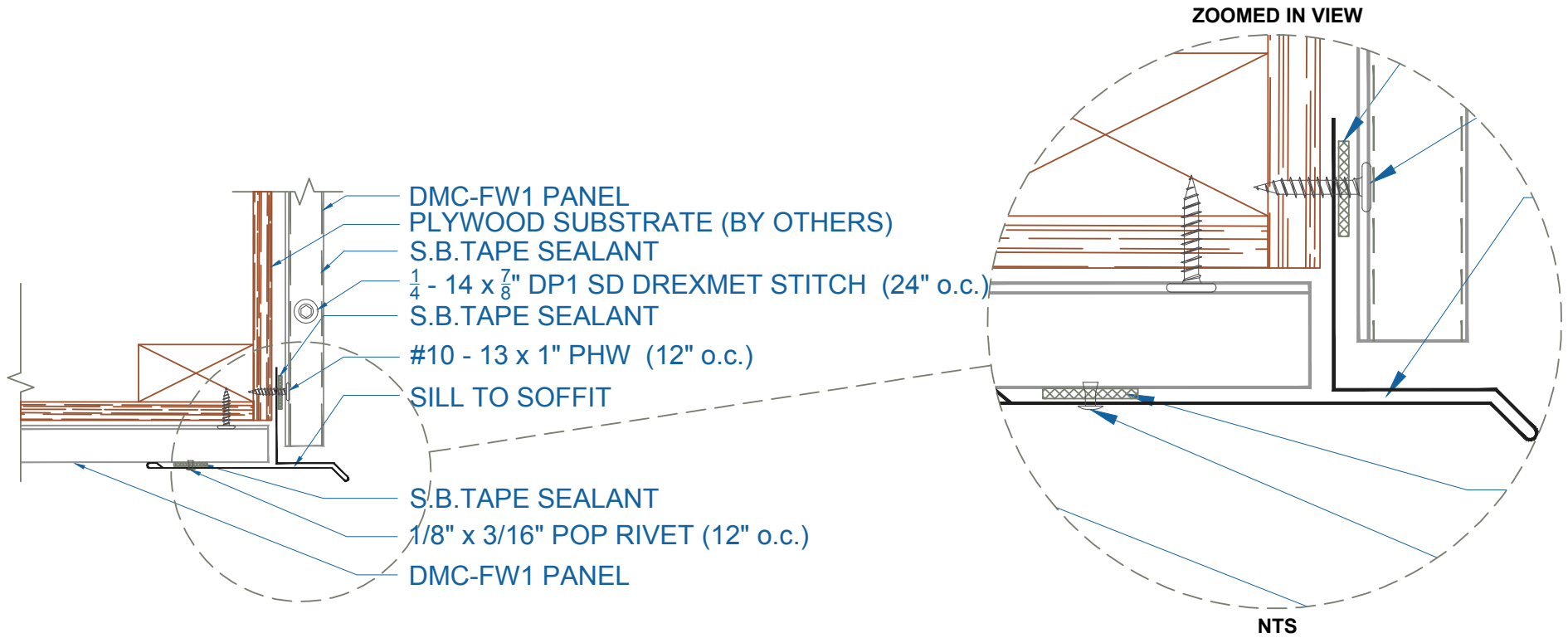


OUTSIDE CORNER

SUBJECT TO CHANGE WITHOUT NOTICE

SCALE: 3" = 1'-0"

DMC FW1 - PLYWOOD

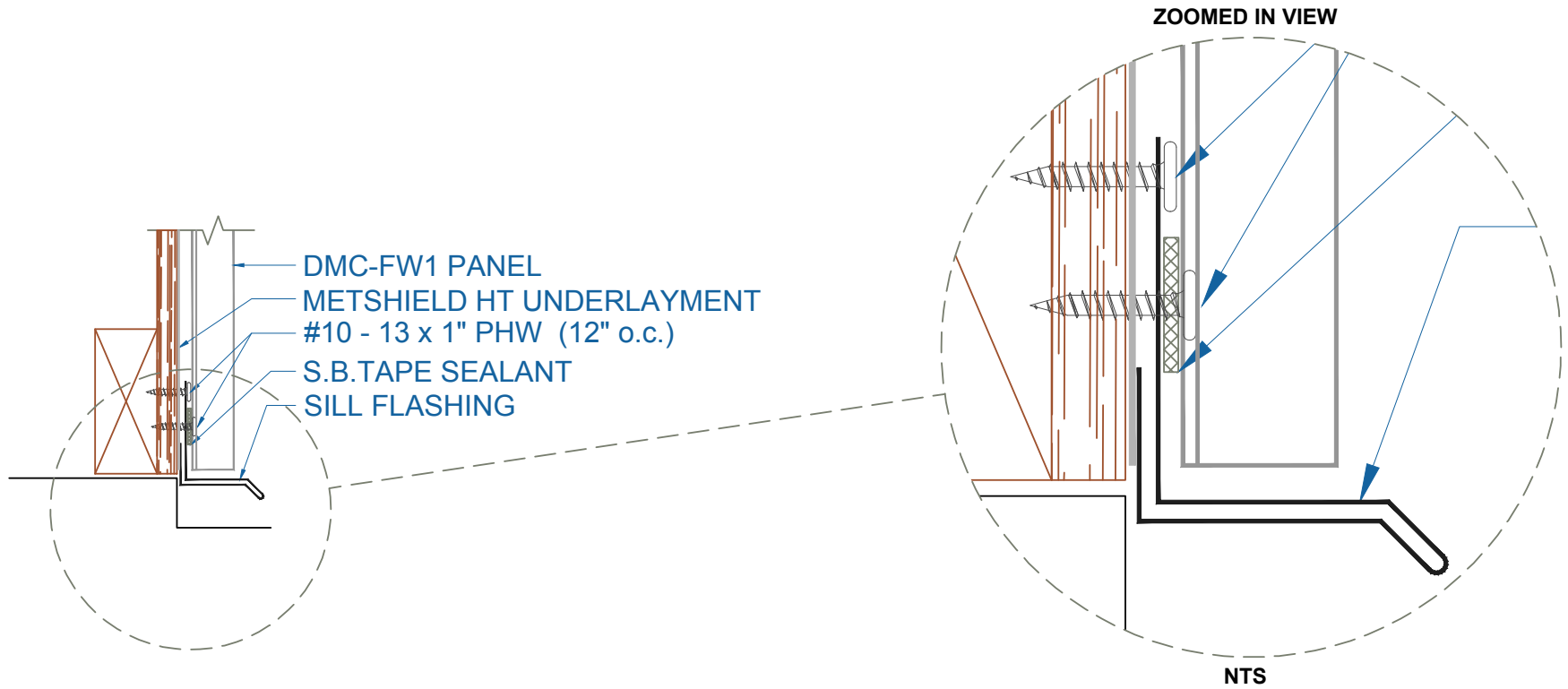


EFFECTIVE DATE: 05-11-18
SUBJECT TO CHANGE WITHOUT NOTICE

SILL TO SOFFIT

SCALE: 3" = 1'-0"

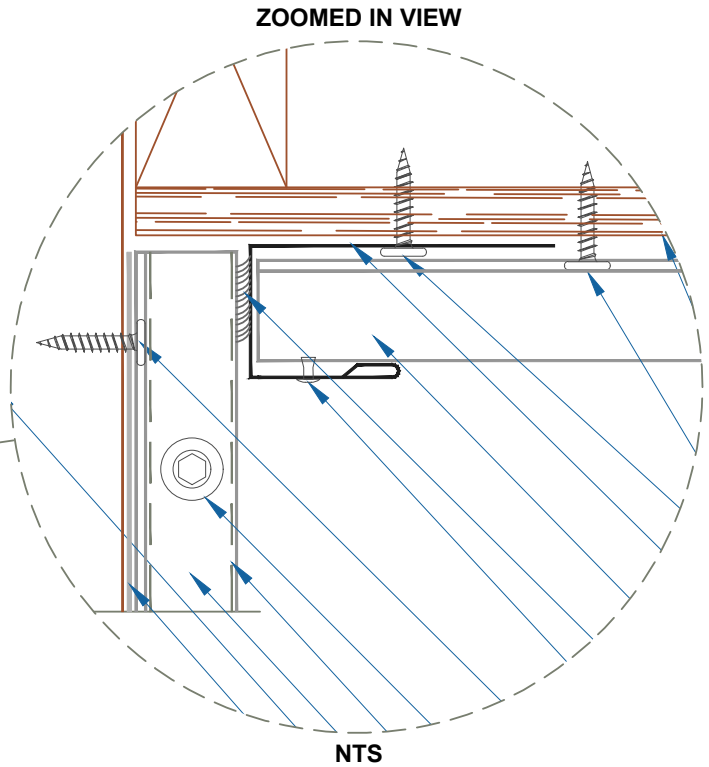
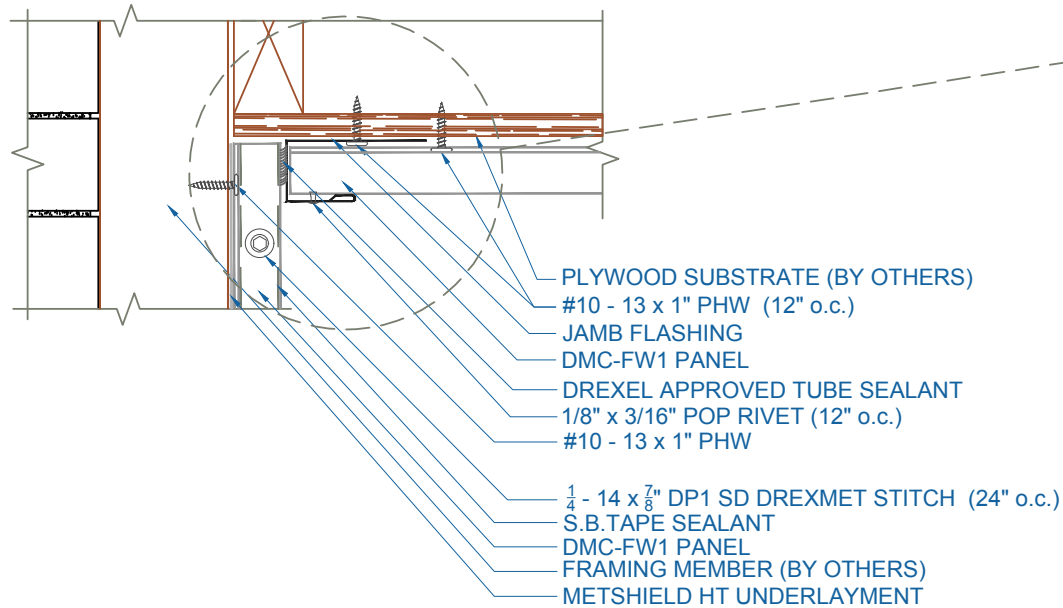
DMC FW1 - PLYWOOD



EFFECTIVE DATE: 05-11-18
SUBJECT TO CHANGE WITHOUT NOTICE

SILL
SCALE: 3" = 1'-0"

DMC FW1 - PLYWOOD



- PLYWOOD SUBSTRATE (BY OTHERS)
- #10 - 13 x 1" PHW (12" o.c.)
- JAMB FLASHING
- DMC-FW1 PANEL
- DREXEL APPROVED TUBE SEALANT
- 1/8" x 3/16" POP RIVET (12" o.c.)
- #10 - 13 x 1" PHW
- 1/4" - 14 x 7/8" DP1 SD DREXMET STITCH (24" o.c.)
- S.B. TAPE SEALANT
- DMC-FW1 PANEL
- FRAMING MEMBER (BY OTHERS)
- METSHIELD HT UNDERLAYMENT

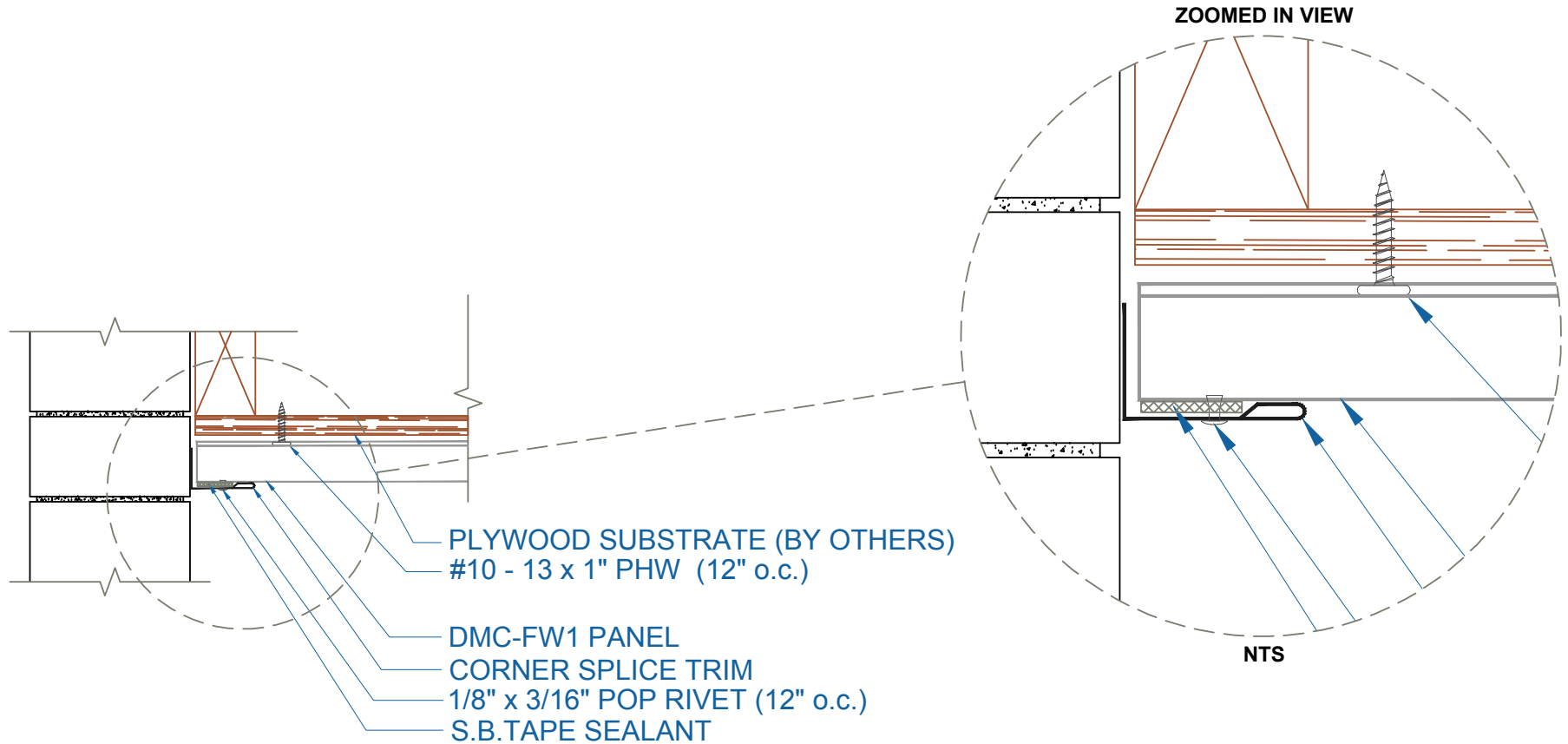
NTS

SOFFIT TO WALL PANEL

SCALE: 3" = 1'-0"

EFFECTIVE DATE: 05-11-18
SUBJECT TO CHANGE WITHOUT NOTICE

DMC FW1 - PLYWOOD

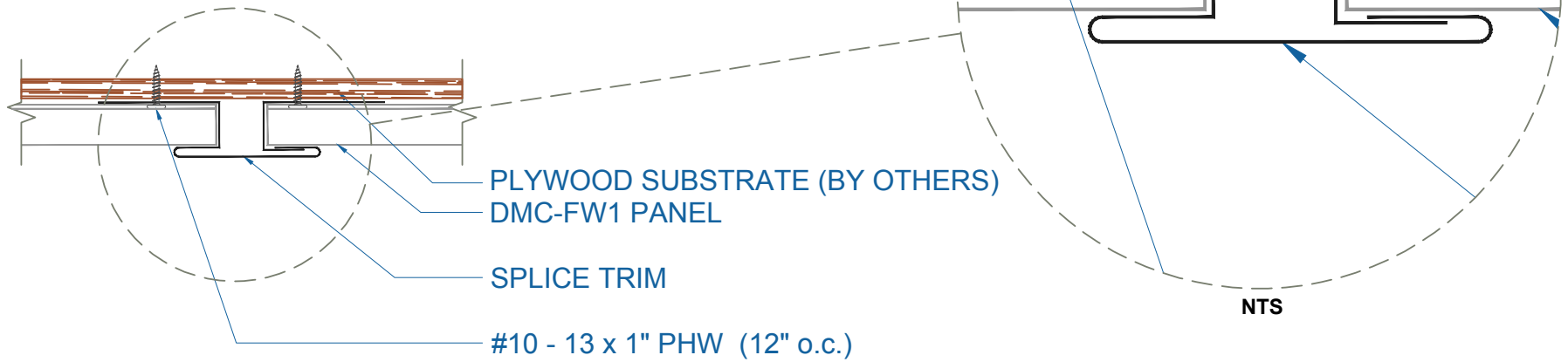


EFFECTIVE DATE: 05-11-18
SUBJECT TO CHANGE WITHOUT NOTICE

SOFFIT TO WALL

SCALE: 3" = 1'-0"

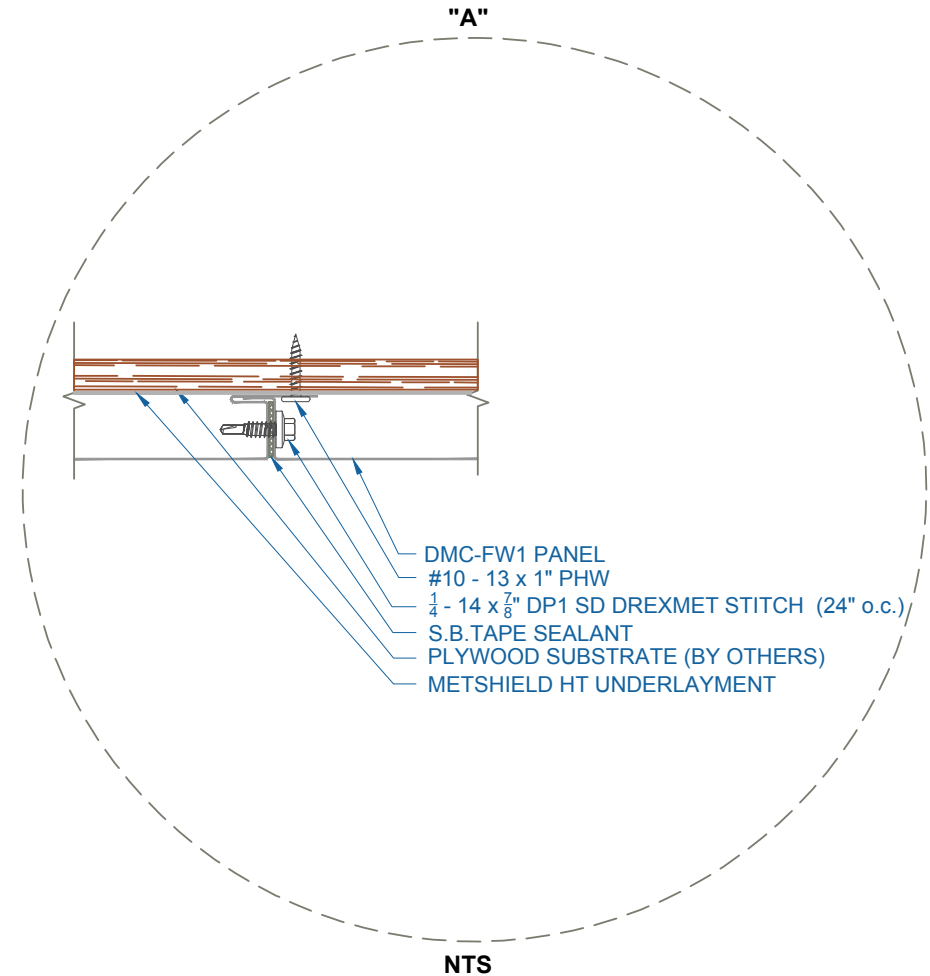
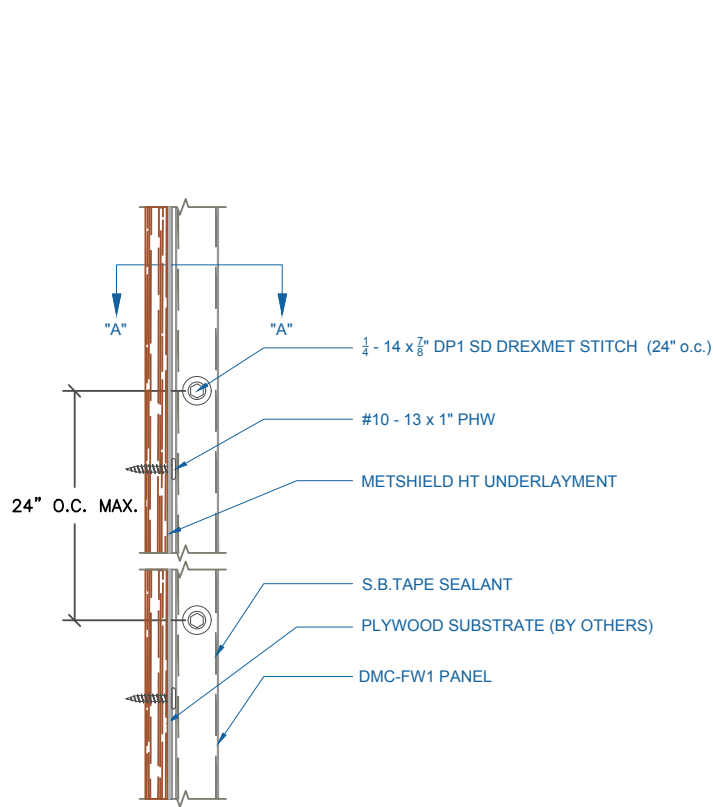
DMC FW1 - PLYWOOD



EFFECTIVE DATE: 05-11-18
SUBJECT TO CHANGE WITHOUT NOTICE

SPLICE
SCALE: 3" = 1'-0"

DMC FW1 - PLYWOOD

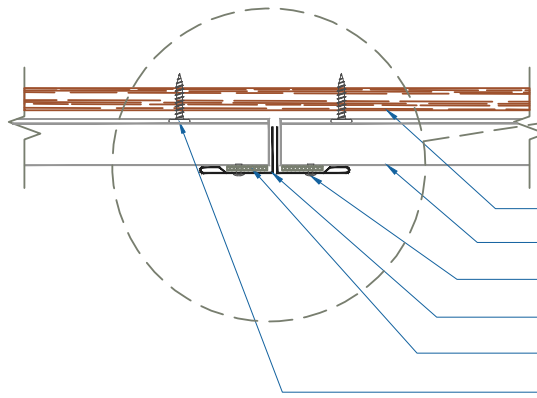


WALL PANEL INSTALLATION

SCALE: 3" = 1'-0"

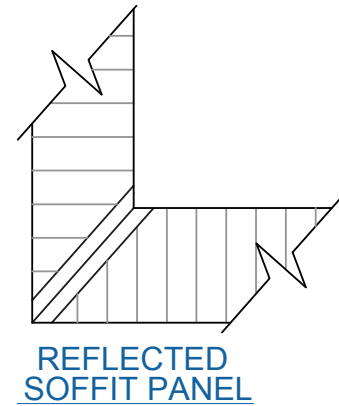
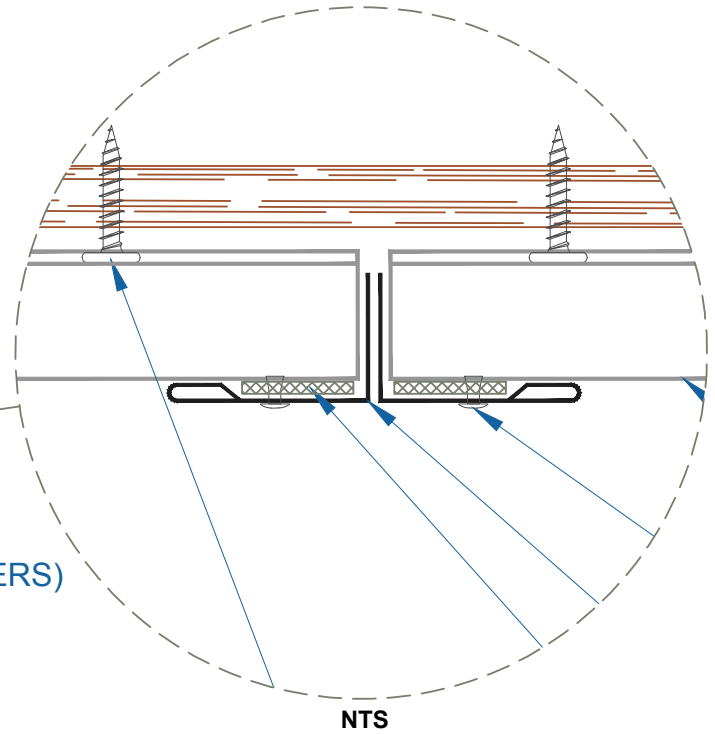
EFFECTIVE DATE: 05-11-18
SUBJECT TO CHANGE WITHOUT NOTICE

DMC FW1 - PLYWOOD



- PLYWOOD SUBSTRATE (BY OTHERS)
- DMC-FW1 PANEL
- 1/8" x 3/16" POP RIVET (12" o.c.)
- CORNER SPLICE TRIM
- S.B.TAPE SEALANT
- #10 - 13 x 1" PHW (12" o.c.)

ZOOMED IN VIEW

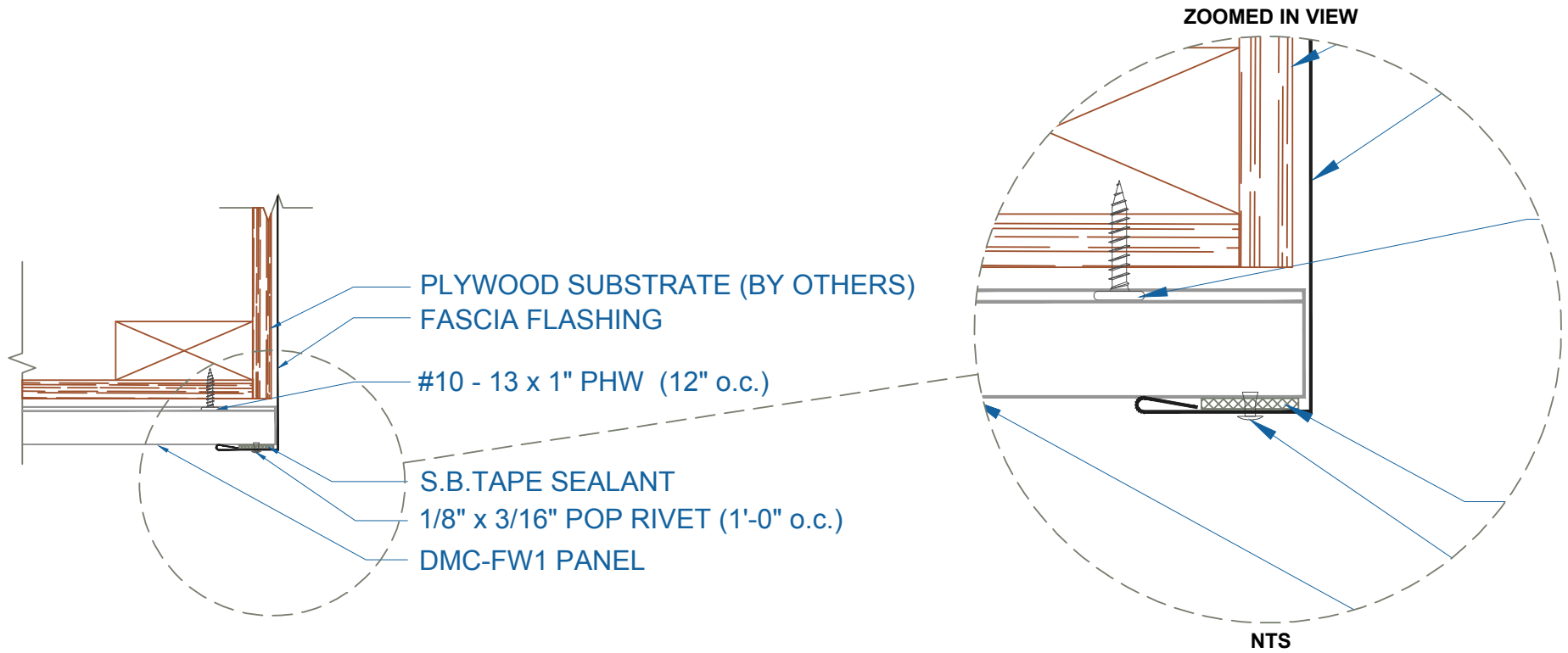


EFFECTIVE DATE: 05-11-18
SUBJECT TO CHANGE WITHOUT NOTICE

CORNER SPLICE

SCALE: 3" = 1'-0"

DMC FW1 - PLYWOOD

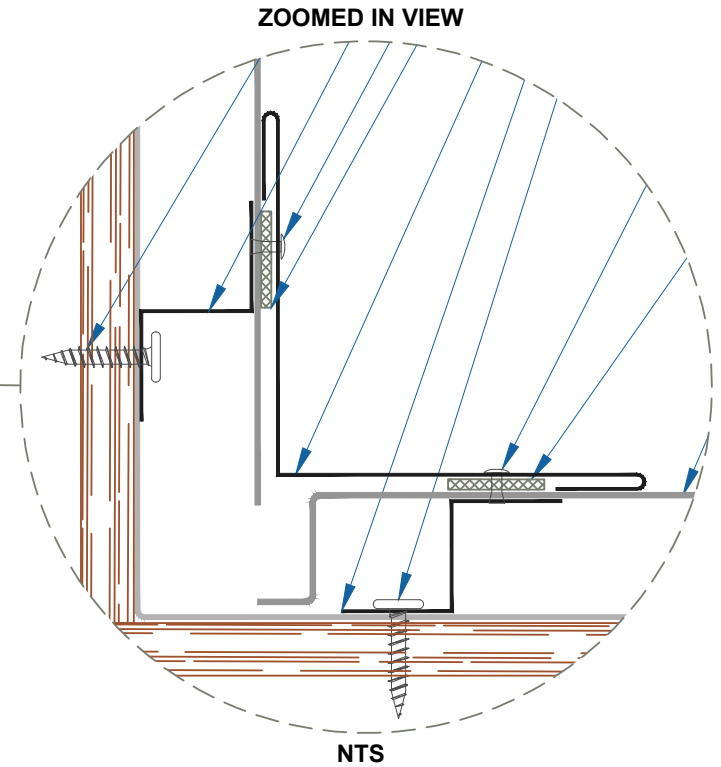
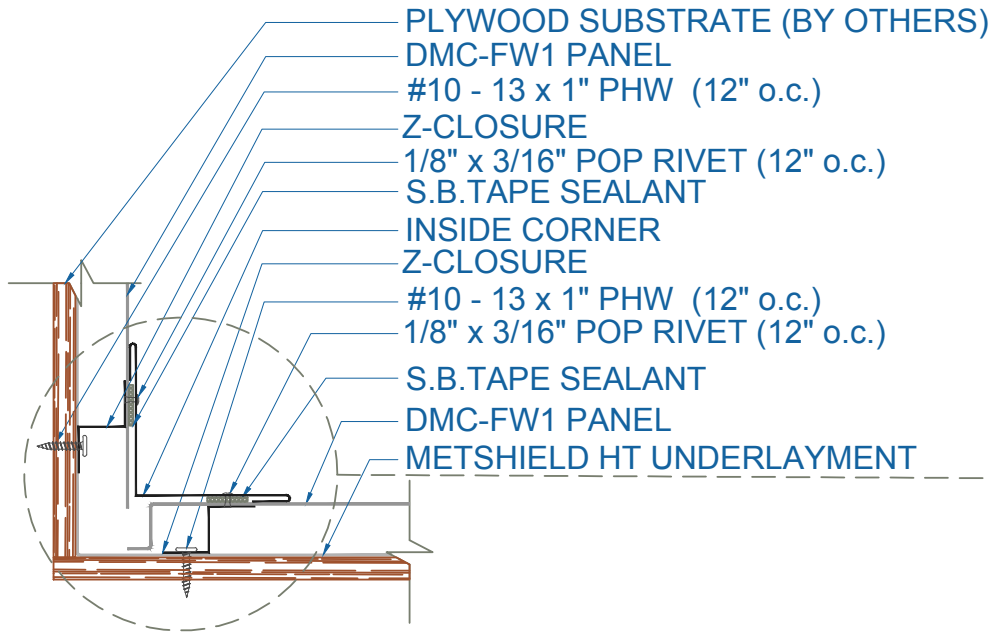


EFFECTIVE DATE: 05-11-18
SUBJECT TO CHANGE WITHOUT NOTICE

FASCIA TO SOFFIT

SCALE: 3" = 1'-0"

DMC FW1 - PLYWOOD

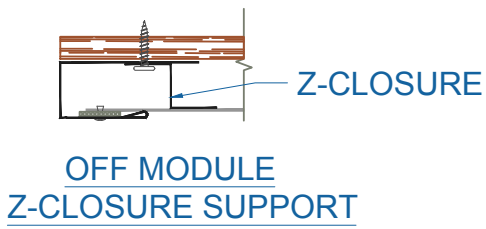
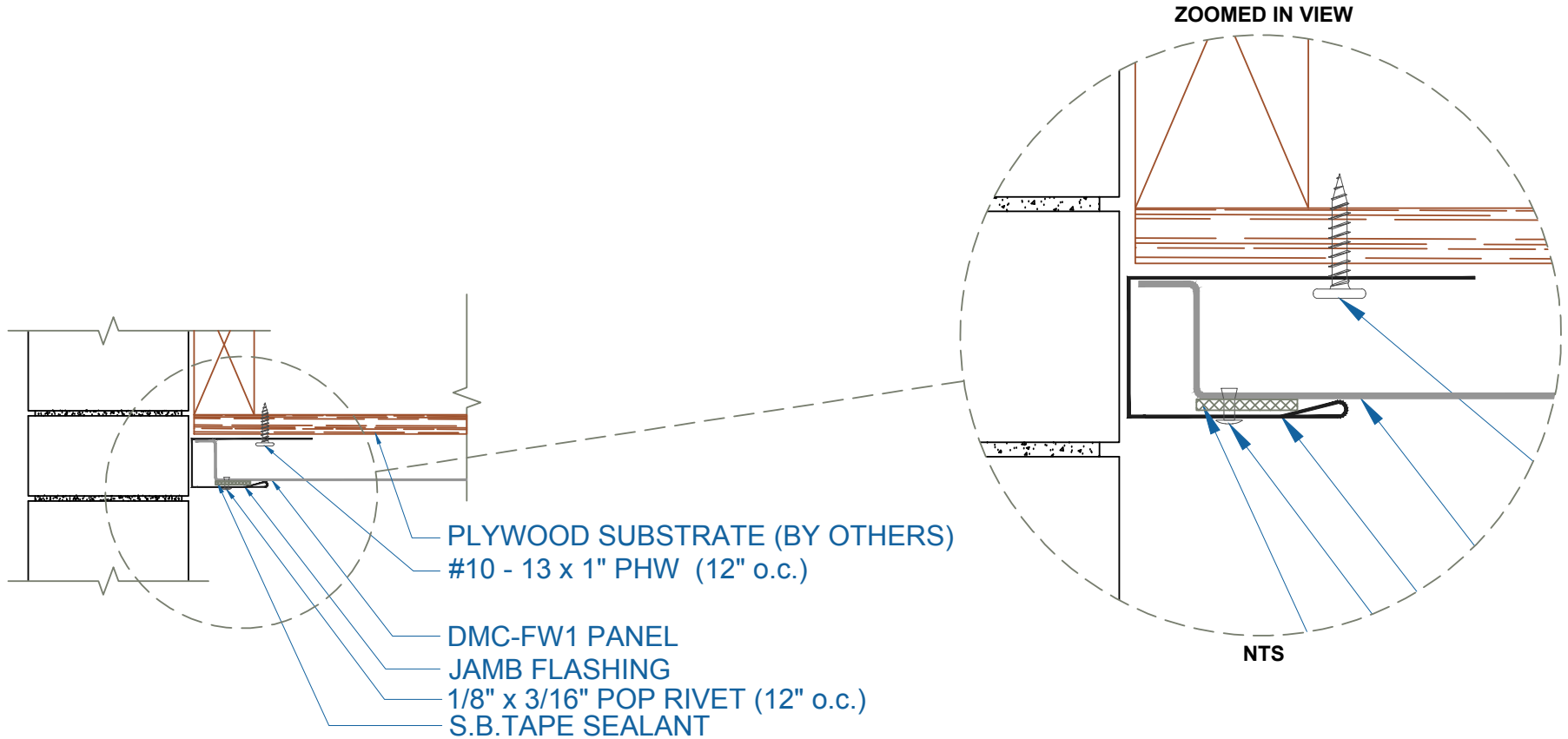


EFFECTIVE DATE: 05-11-18
 SUBJECT TO CHANGE WITHOUT NOTICE

INSIDE CORNER

SCALE: 3" = 1'-0"

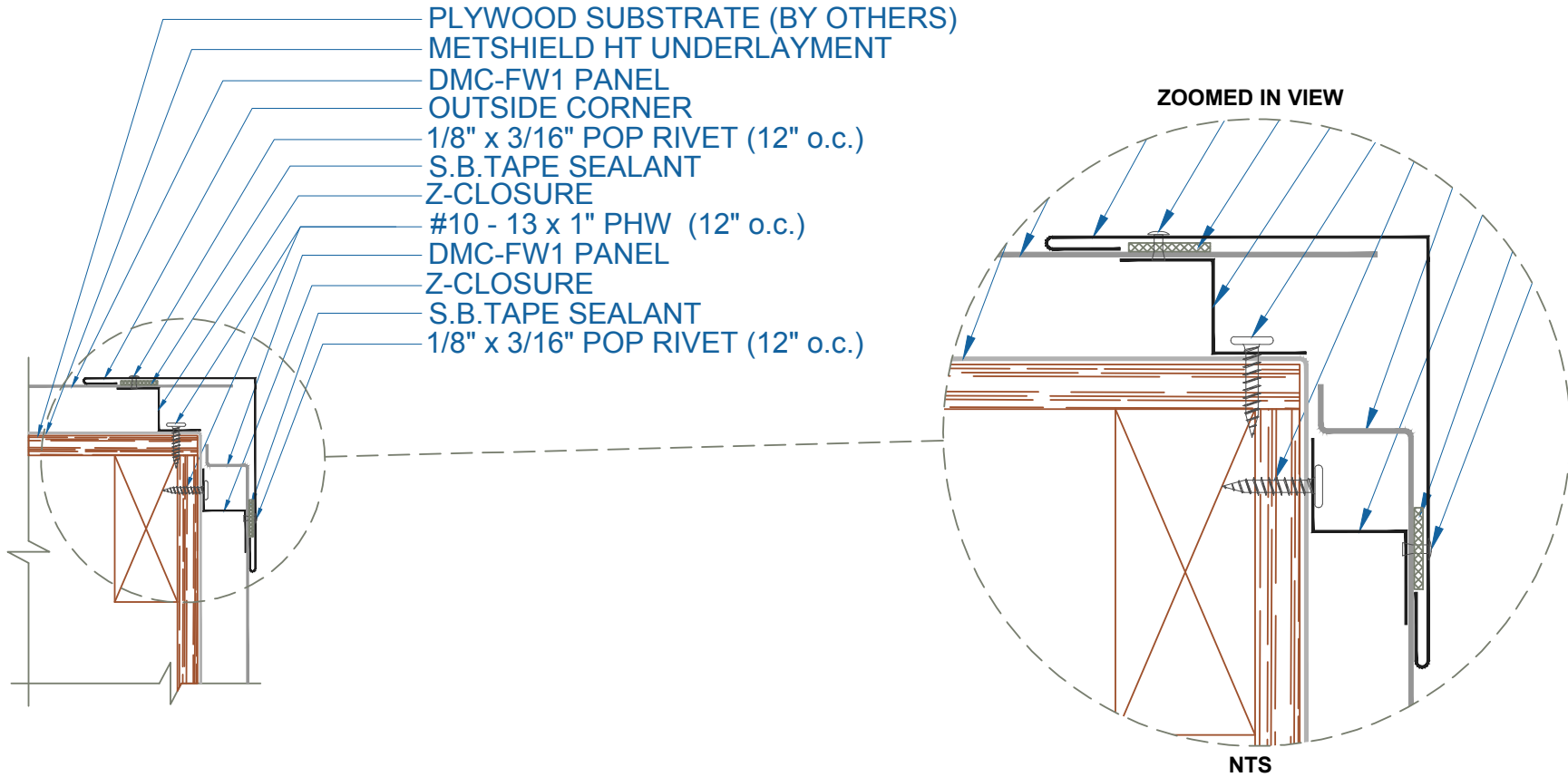
DMC FW1 - PLYWOOD



EFFECTIVE DATE: 05-11-18
SUBJECT TO CHANGE WITHOUT NOTICE

JAMB
SCALE: 3" = 1'-0"

DMC FW1 - PLYWOOD

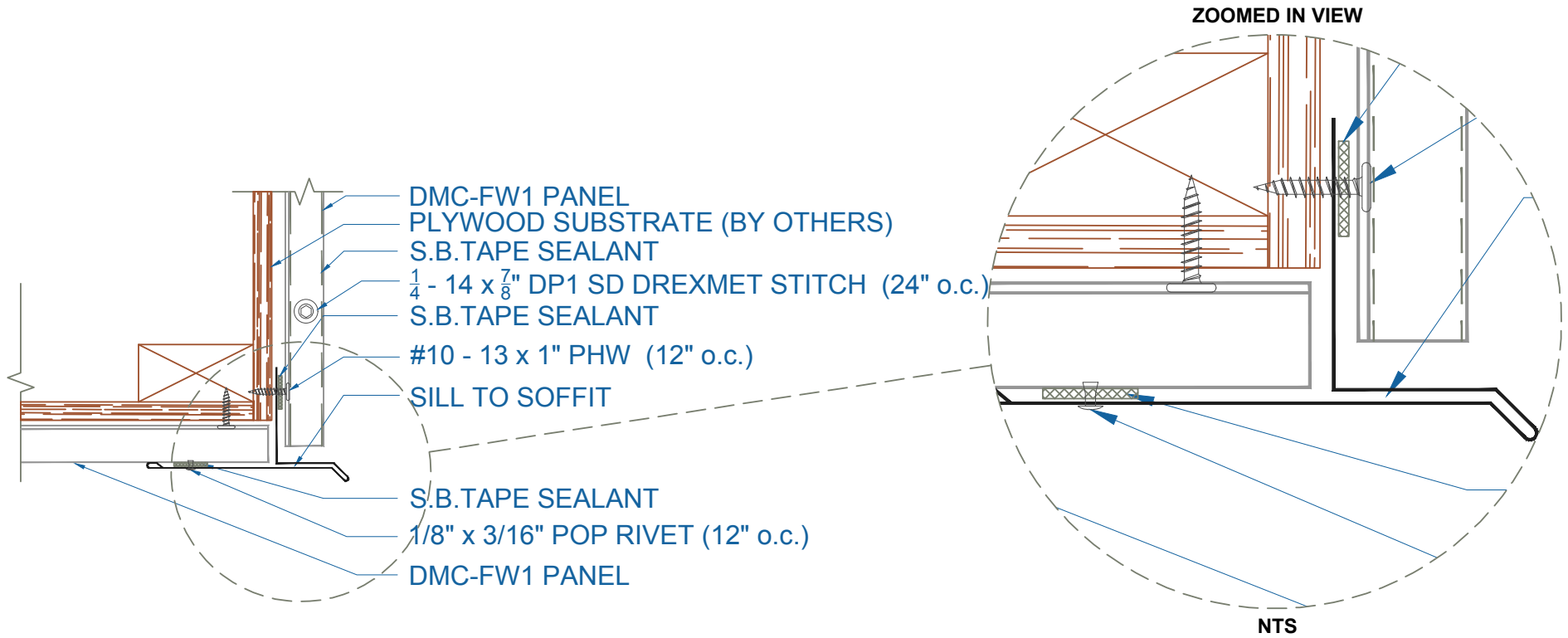


OUTSIDE CORNER

SUBJECT TO CHANGE WITHOUT NOTICE

SCALE: 3" = 1'-0"

DMC FW1 - PLYWOOD

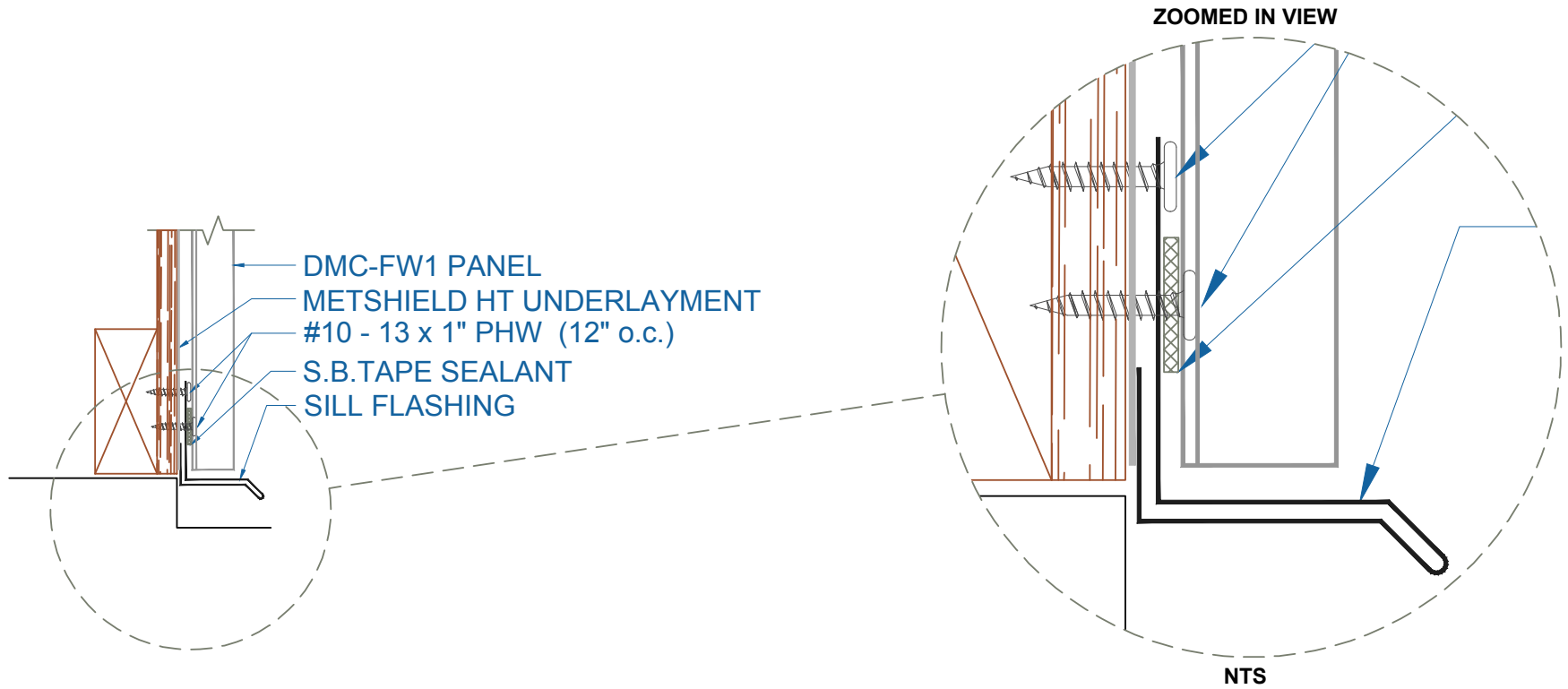


EFFECTIVE DATE: 05-11-18
SUBJECT TO CHANGE WITHOUT NOTICE

SILL TO SOFFIT

SCALE: 3" = 1'-0"

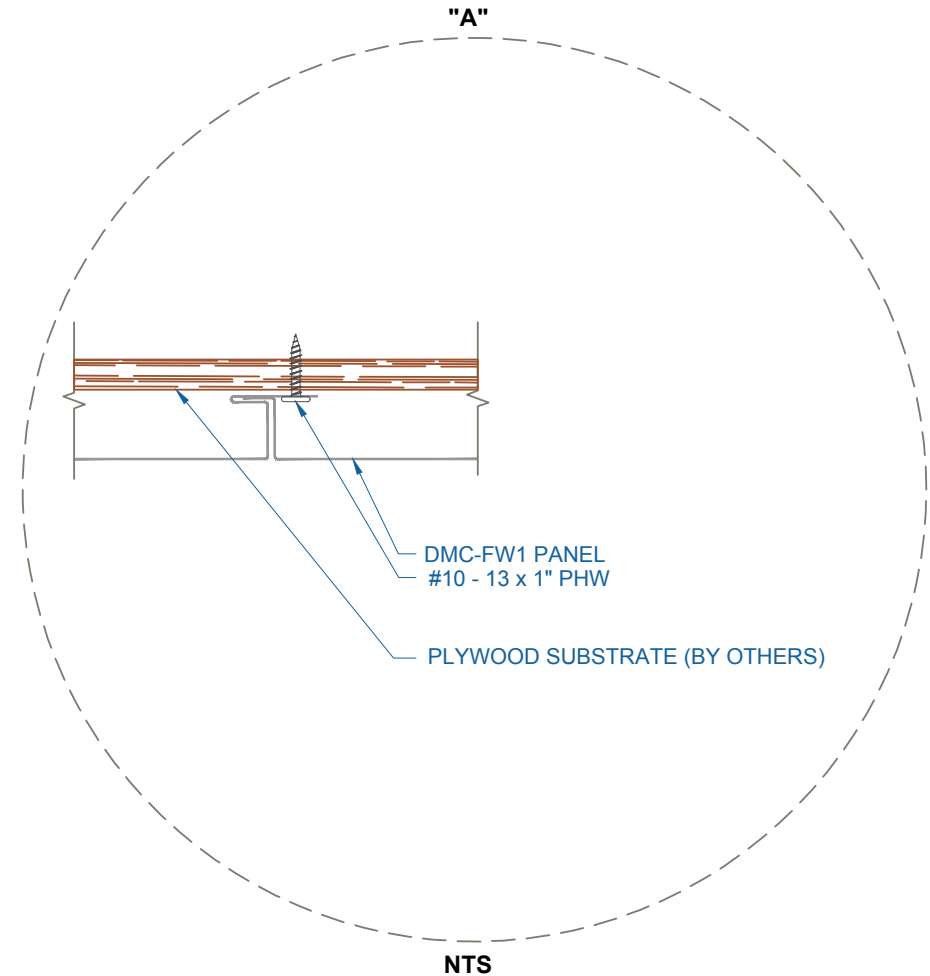
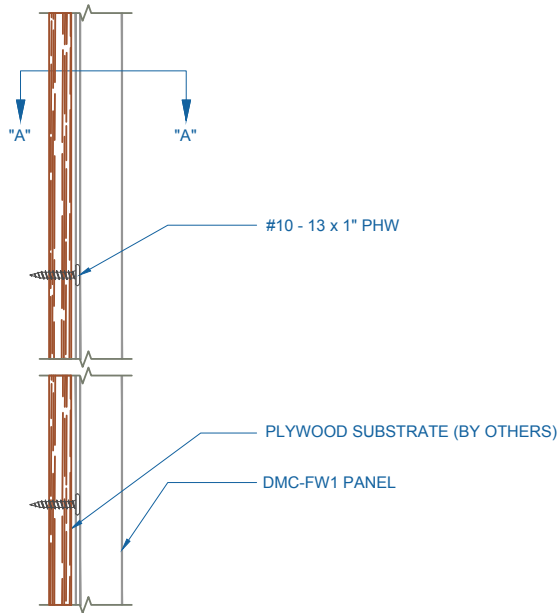
DMC FW1 - PLYWOOD



EFFECTIVE DATE: 05-11-18
SUBJECT TO CHANGE WITHOUT NOTICE

SILL
SCALE: 3" = 1'-0"

DMC FW1 - PLYWOOD

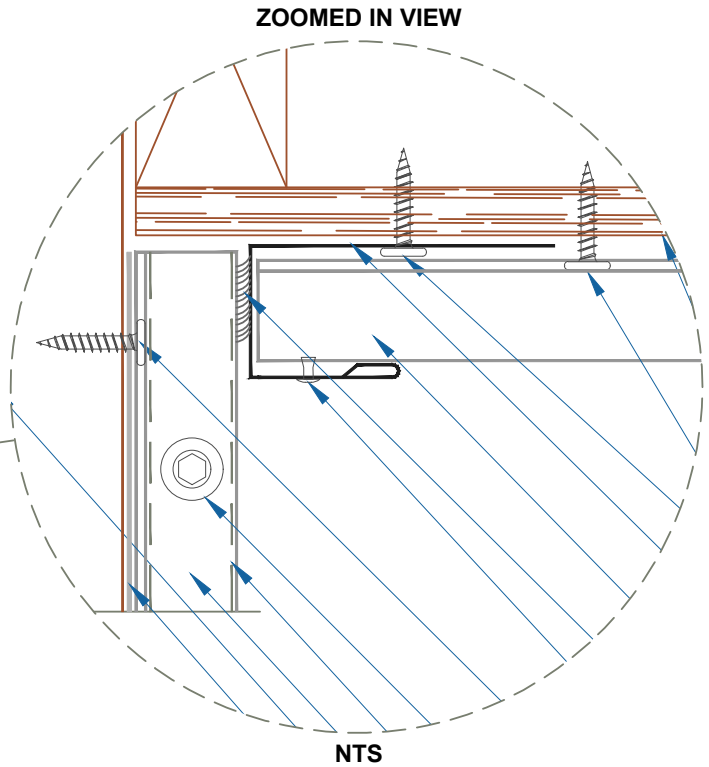
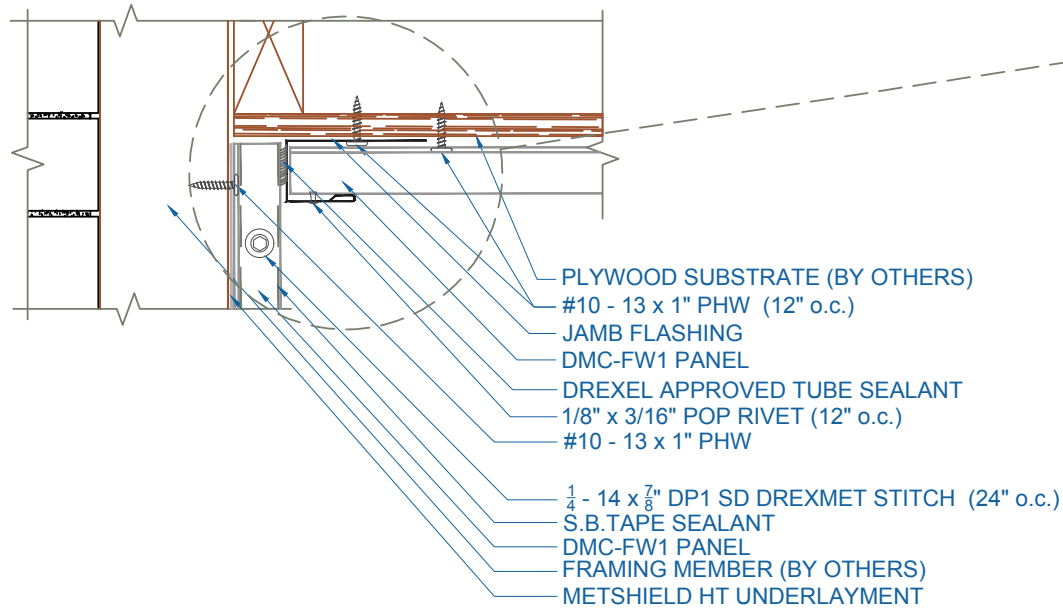


SOFFIT PANEL INSTALLATION

SCALE: 3" = 1'-0"

EFFECTIVE DATE: 05-11-18
SUBJECT TO CHANGE WITHOUT NOTICE

DMC FW1 - PLYWOOD

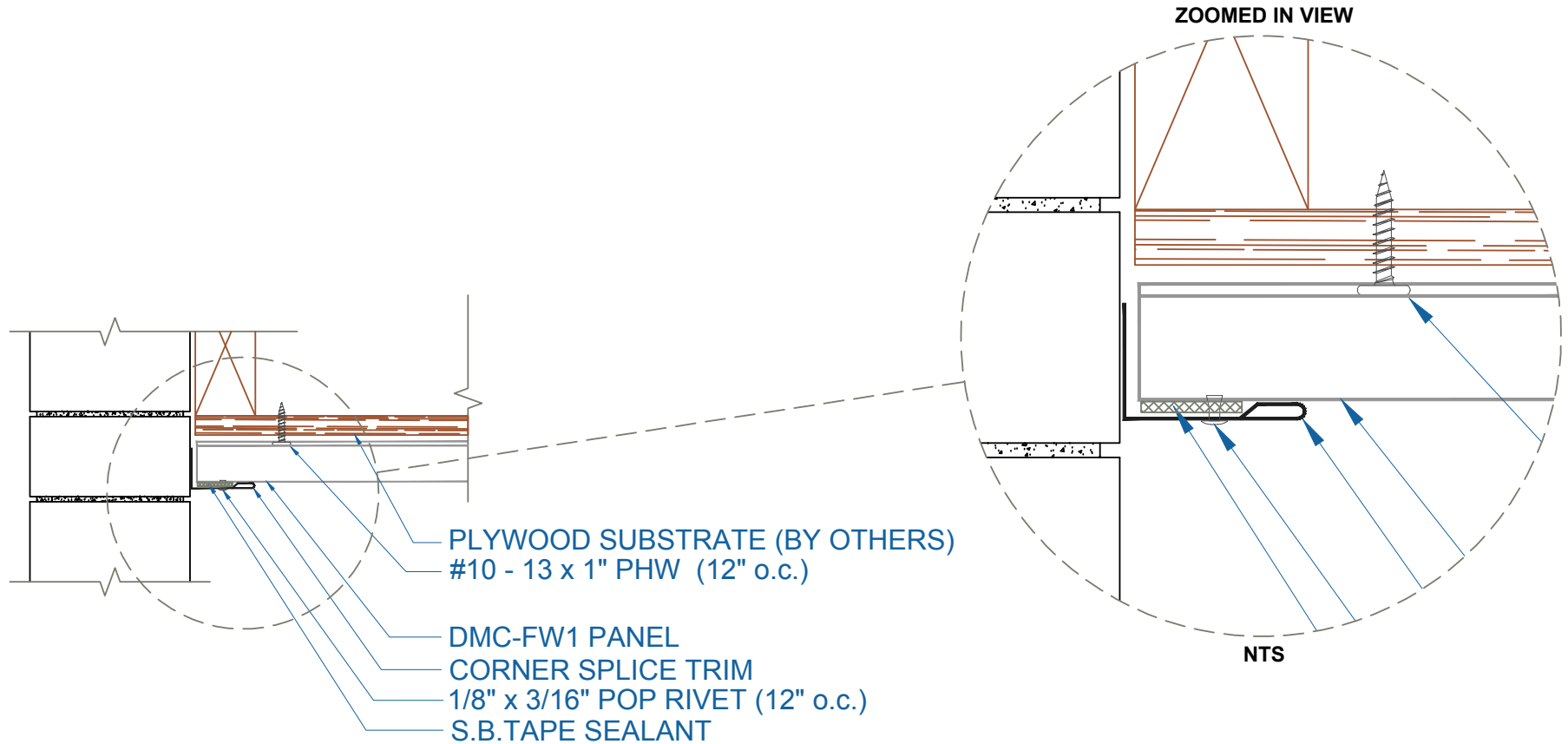


SOFFIT TO WALL PANEL

SCALE: 3" = 1'-0"

EFFECTIVE DATE: 05-11-18
SUBJECT TO CHANGE WITHOUT NOTICE

DMC FW1 - PLYWOOD

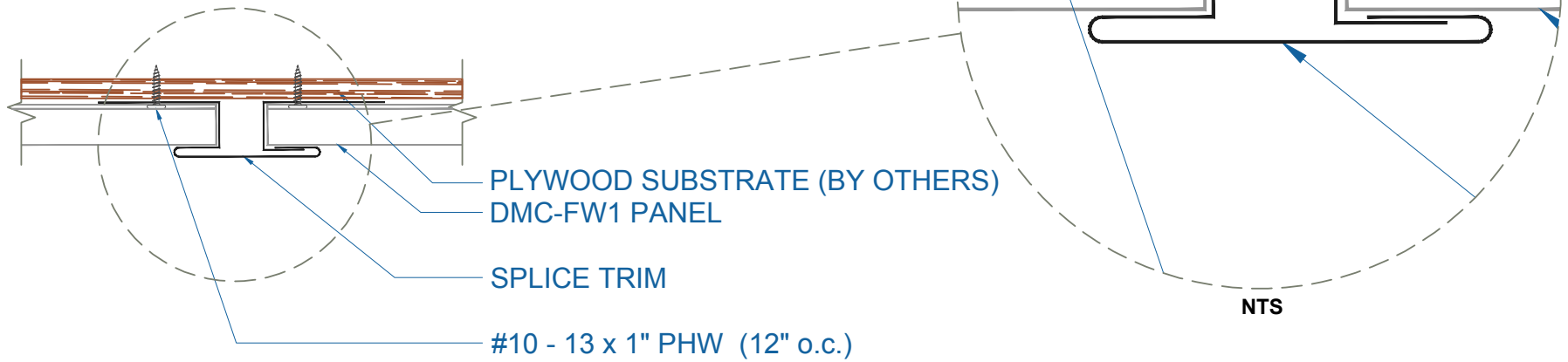


EFFECTIVE DATE: 05-11-18
SUBJECT TO CHANGE WITHOUT NOTICE

SOFFIT TO WALL

SCALE: 3" = 1'-0"

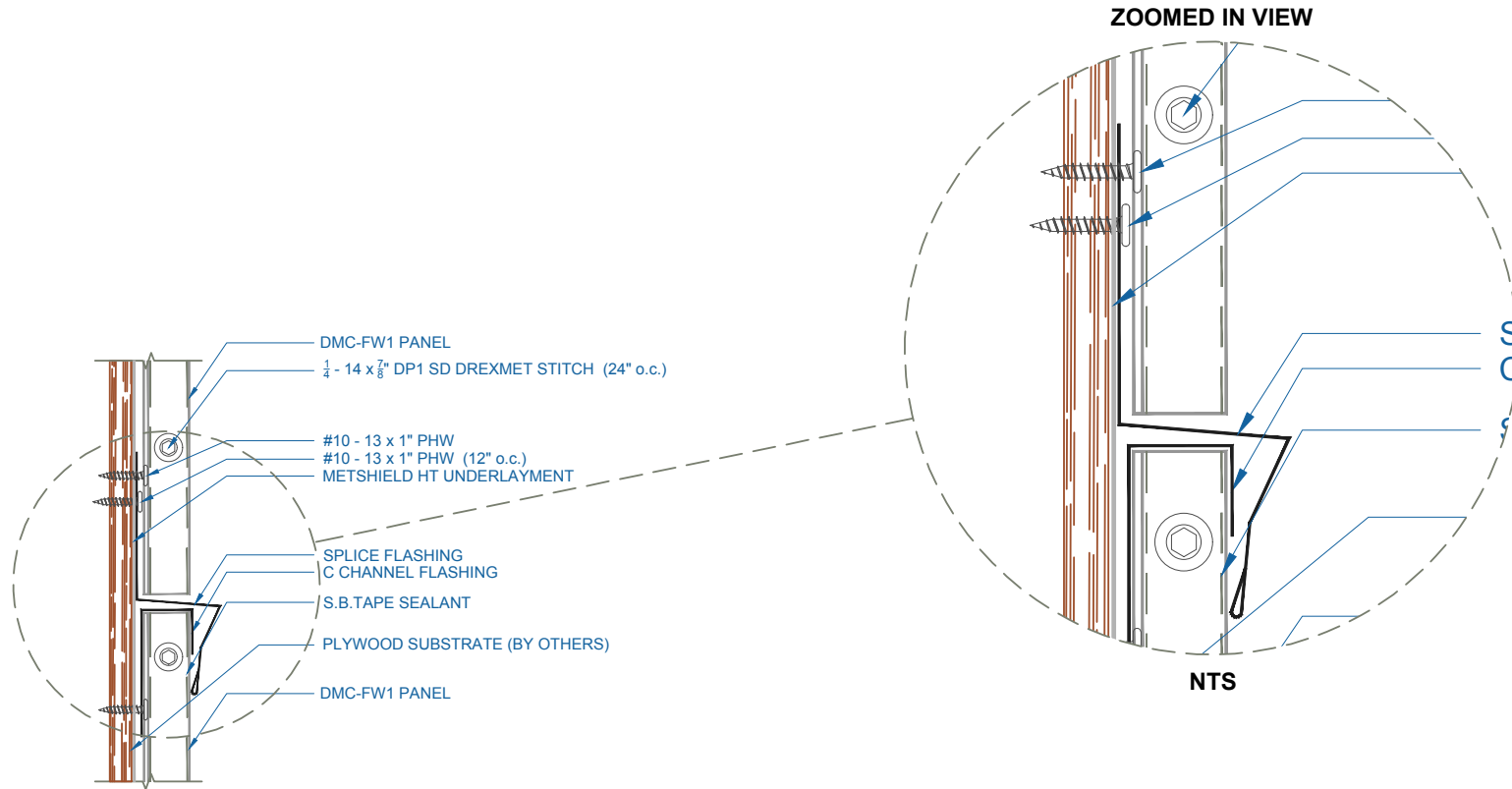
DMC FW1 - PLYWOOD



EFFECTIVE DATE: 05-11-18
SUBJECT TO CHANGE WITHOUT NOTICE

SPLICE
SCALE: 3" = 1'-0"

DMC FW1 - PLYWOOD

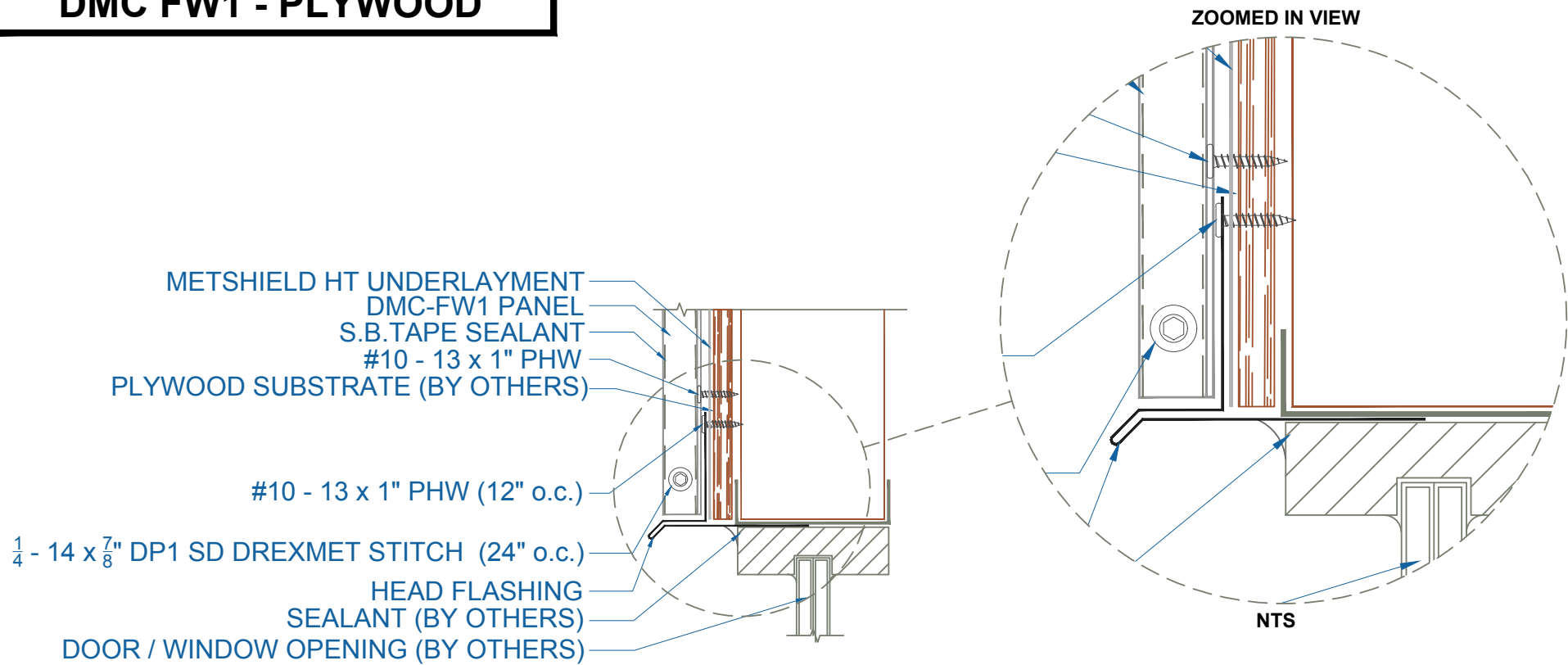


EFFECTIVE DATE: 05-11-18
SUBJECT TO CHANGE WITHOUT NOTICE

WALL PANEL SPLICE

SCALE: 3" = 1'-0"

DMC FW1 - PLYWOOD

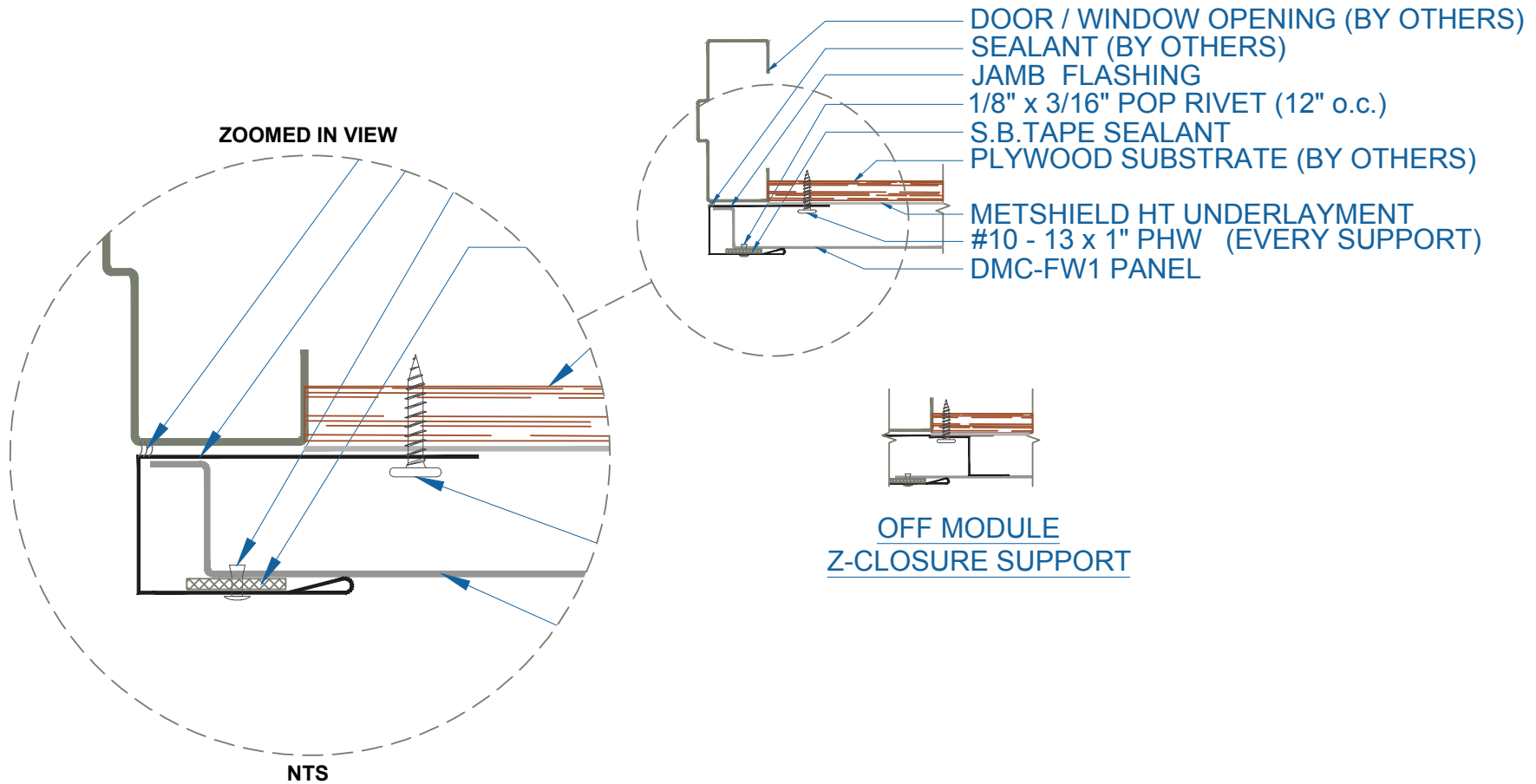


EFFECTIVE DATE: 05-11-18
SUBJECT TO CHANGE WITHOUT NOTICE

WINDOW-DOOR HEAD

SCALE: 3" = 1'-0"

DMC FW1 - PLYWOOD

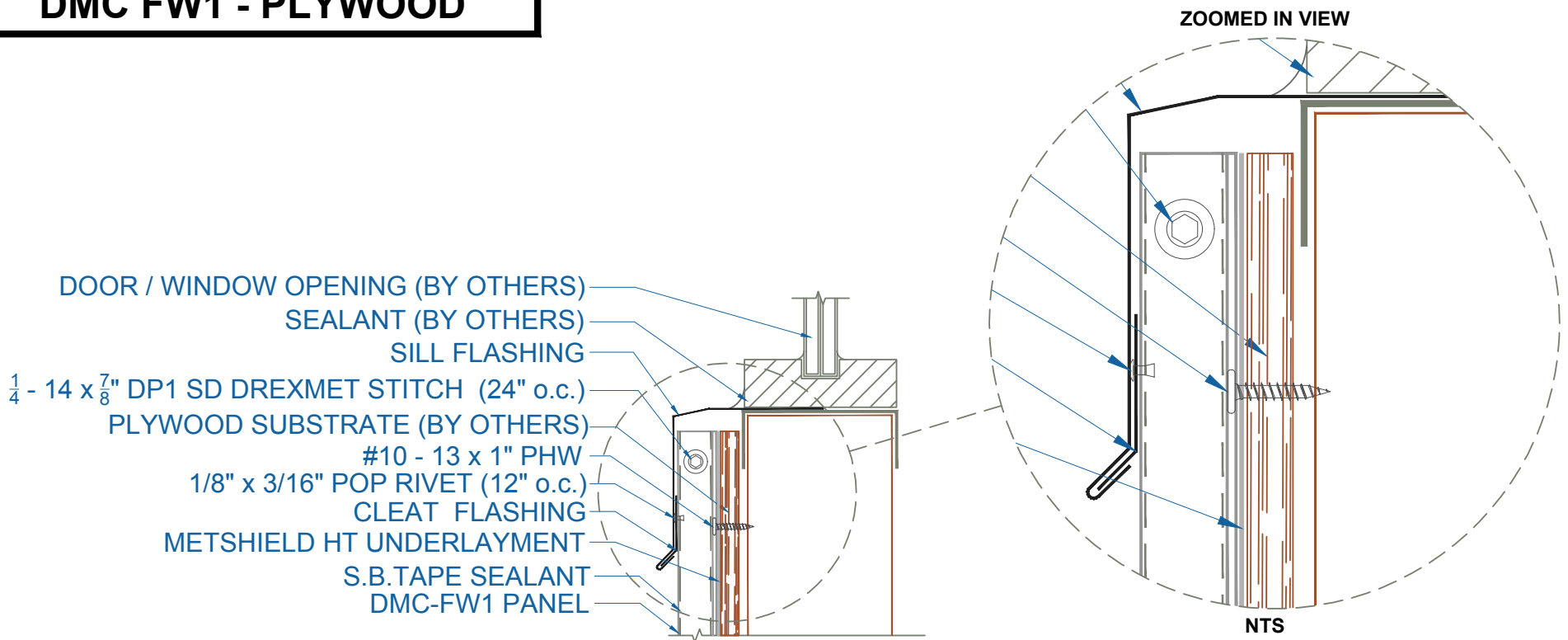


EFFECTIVE DATE: 05-11-18
SUBJECT TO CHANGE WITHOUT NOTICE

WINDOW-DOOR JAMB

SCALE: 3" = 1'-0"

DMC FW1 - PLYWOOD

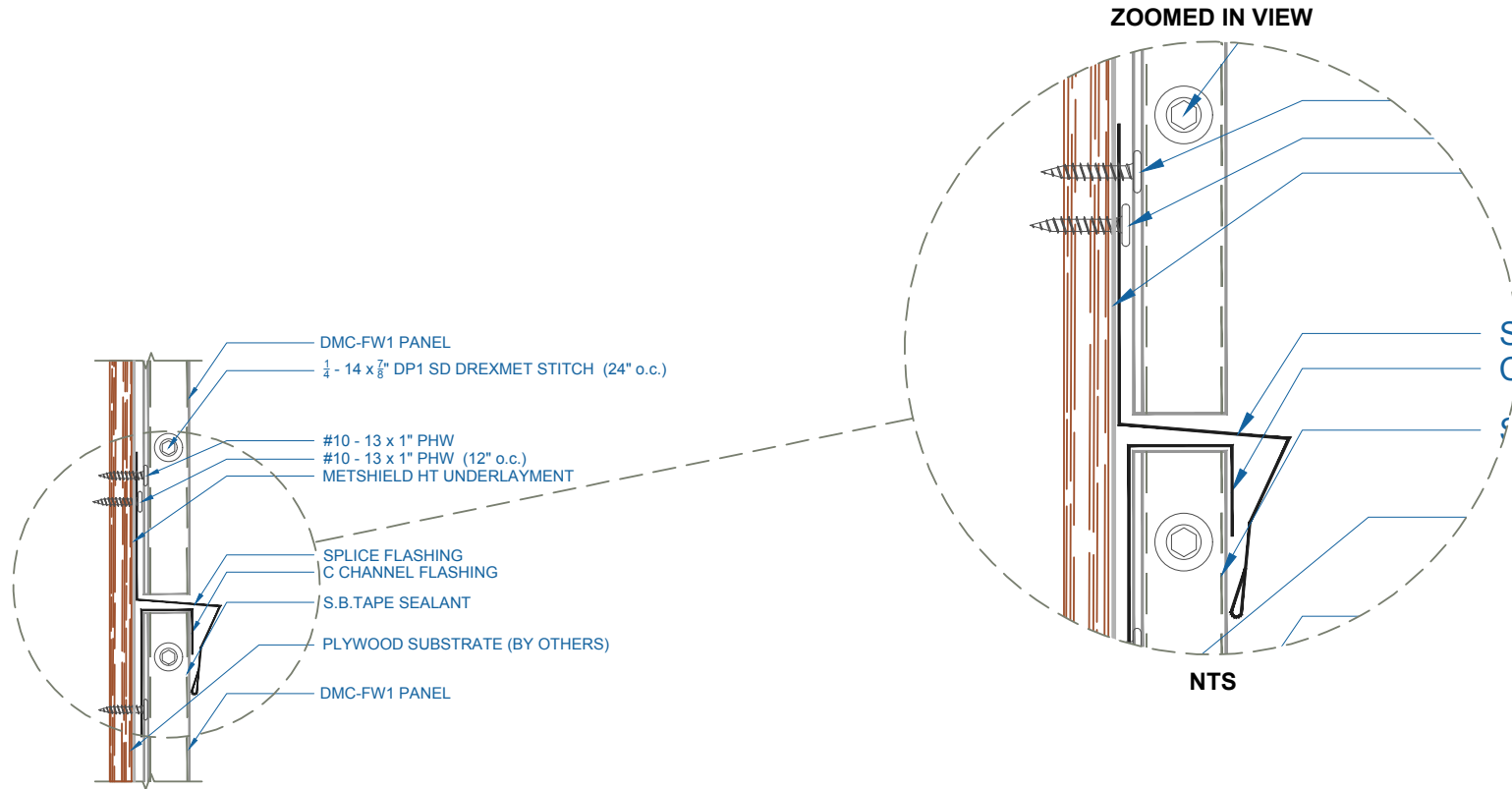


EFFECTIVE DATE: 05-11-18
SUBJECT TO CHANGE WITHOUT NOTICE

WINDOW-DOOR SILL

SCALE: 3" = 1'-0"

DMC FW1 - PLYWOOD

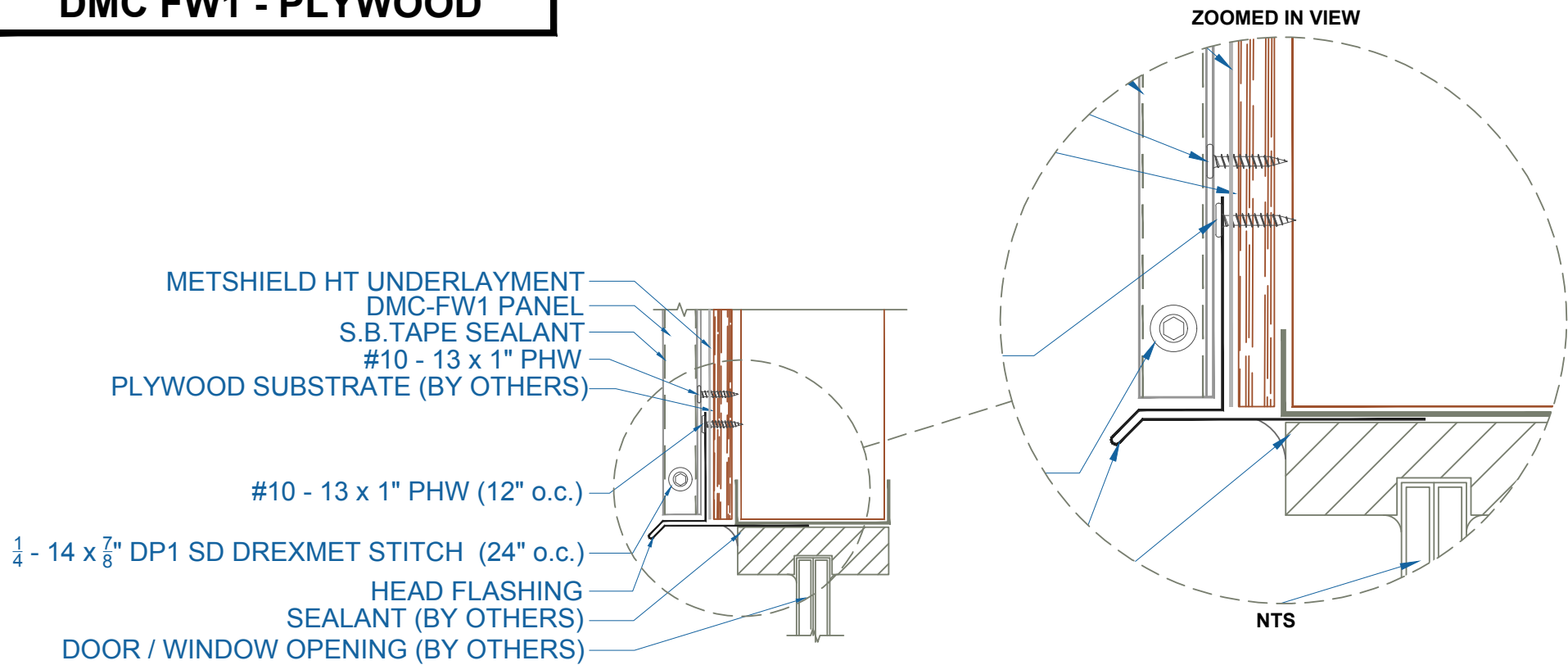


EFFECTIVE DATE: 05-11-18
SUBJECT TO CHANGE WITHOUT NOTICE

WALL PANEL SPLICE

SCALE: 3" = 1'-0"

DMC FW1 - PLYWOOD

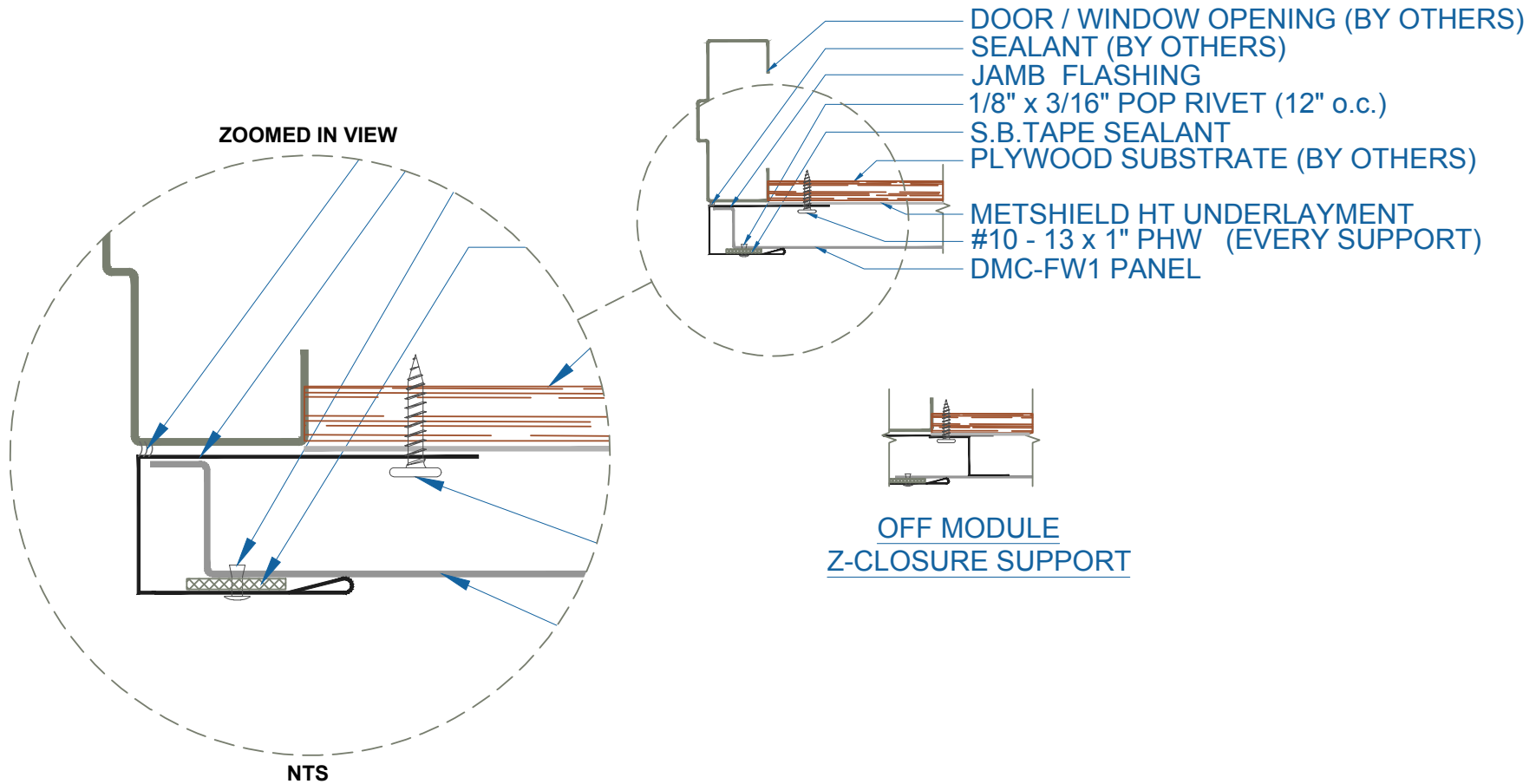


EFFECTIVE DATE: 05-11-18
SUBJECT TO CHANGE WITHOUT NOTICE

WINDOW-DOOR HEAD

SCALE: 3" = 1'-0"

DMC FW1 - PLYWOOD

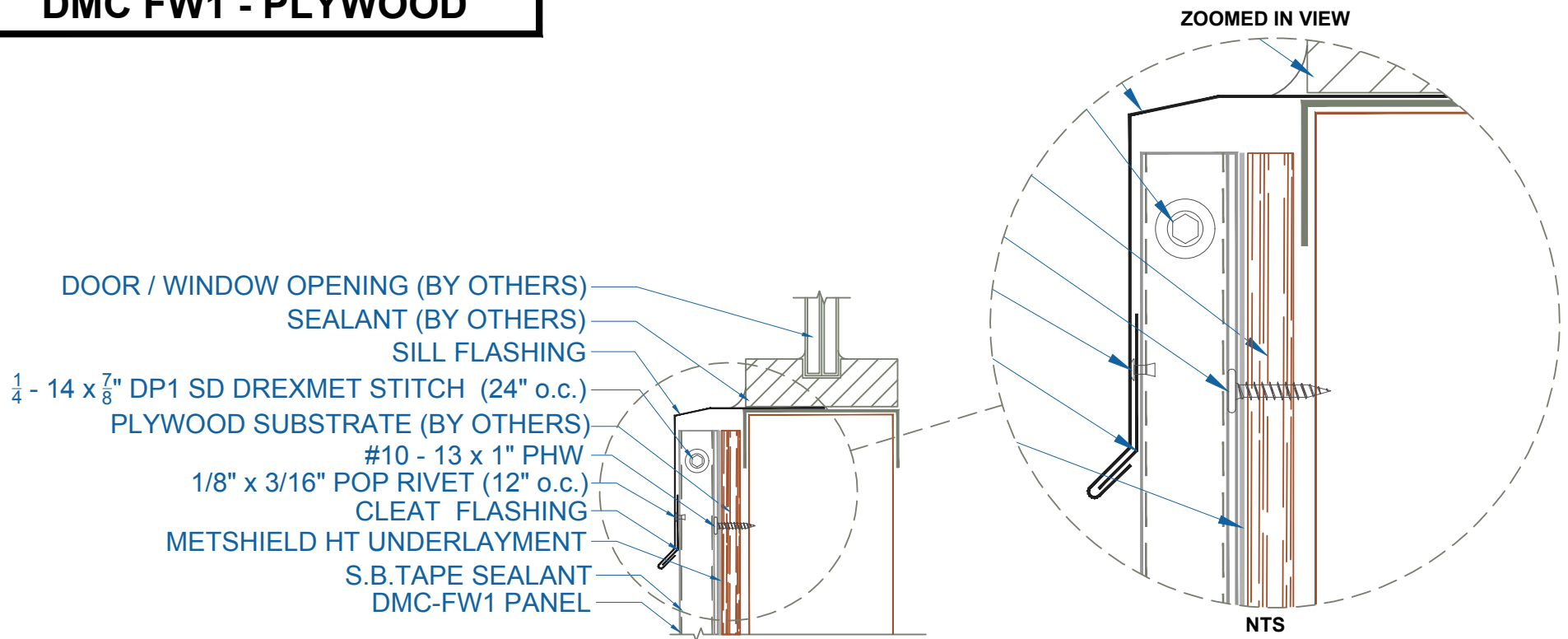


EFFECTIVE DATE: 05-11-18
SUBJECT TO CHANGE WITHOUT NOTICE

WINDOW-DOOR JAMB

SCALE: 3" = 1'-0"

DMC FW1 - PLYWOOD



EFFECTIVE DATE: 05-11-18
SUBJECT TO CHANGE WITHOUT NOTICE

WINDOW-DOOR SILL

SCALE: 3" = 1'-0"