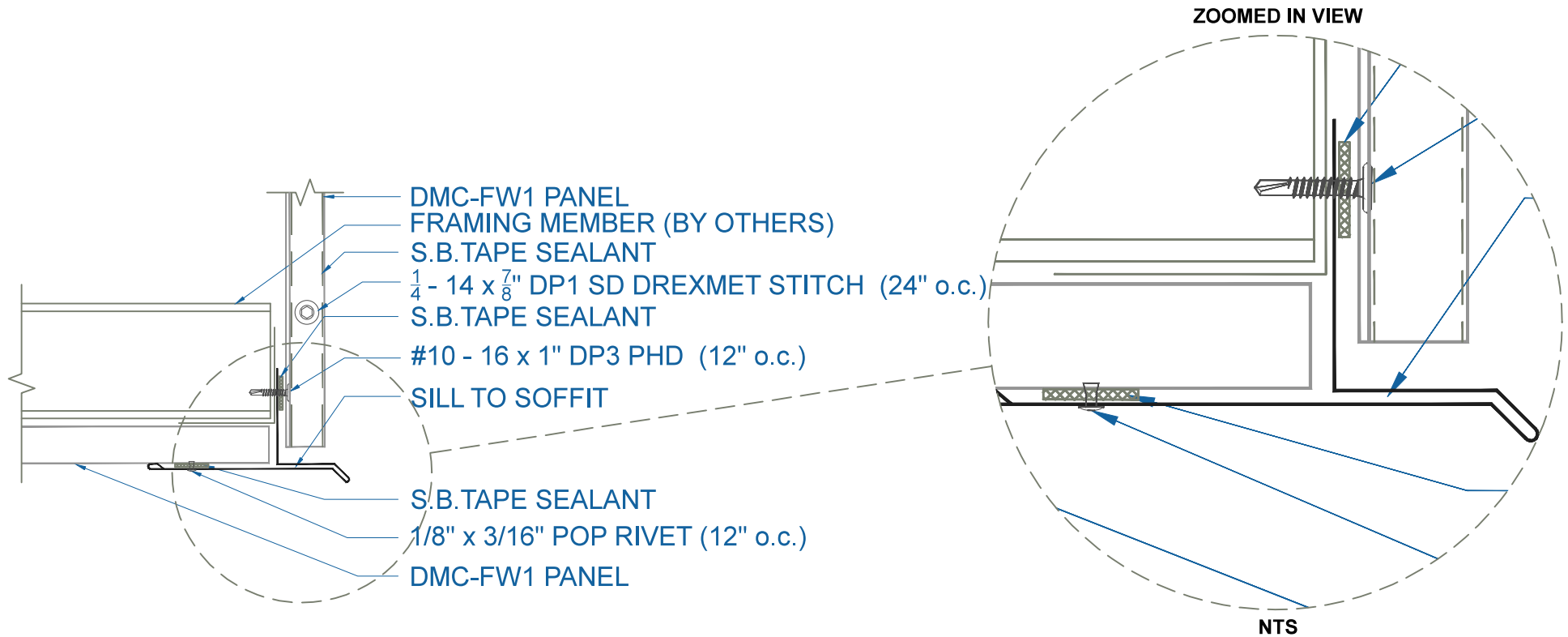


# DMC FW1 - OPEN FRAMING



EFFECTIVE DATE: 05-21-13  
SUBJECT TO CHANGE WITHOUT NOTICE

## SILL TO SOFFIT

SCALE: 3" = 1'-0"

**DrexelMetals**  
Roofing Systems + Custom Fabrication

