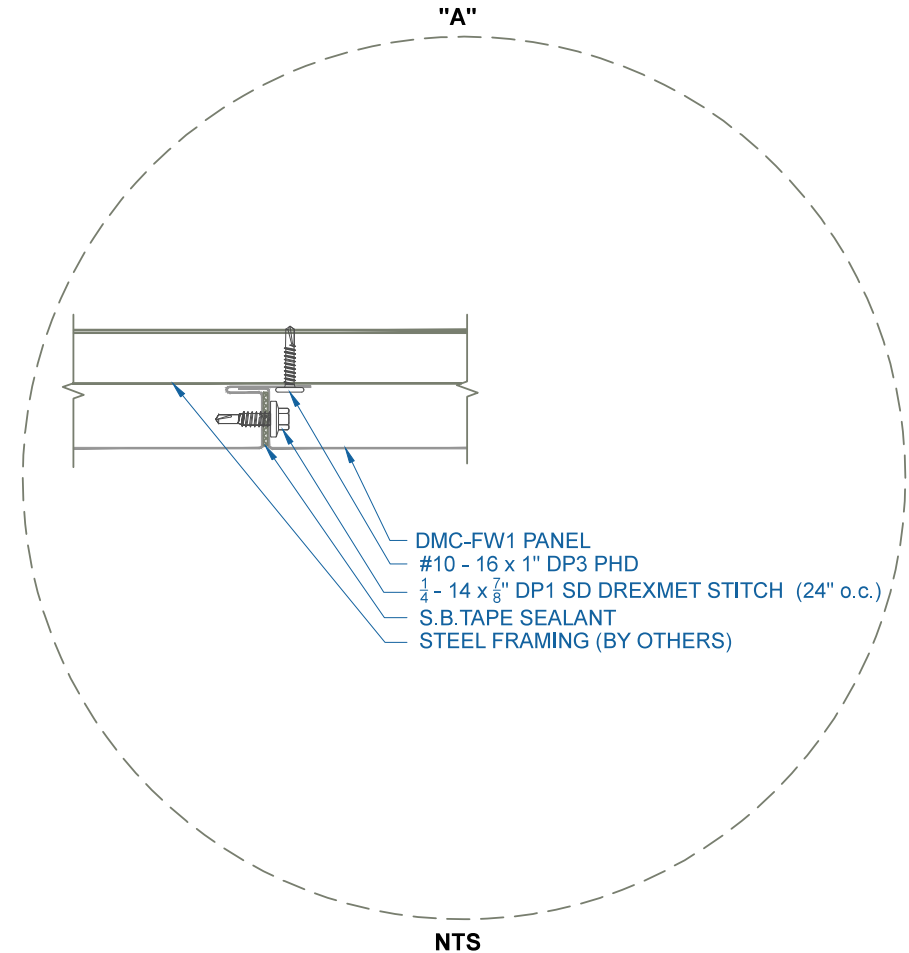
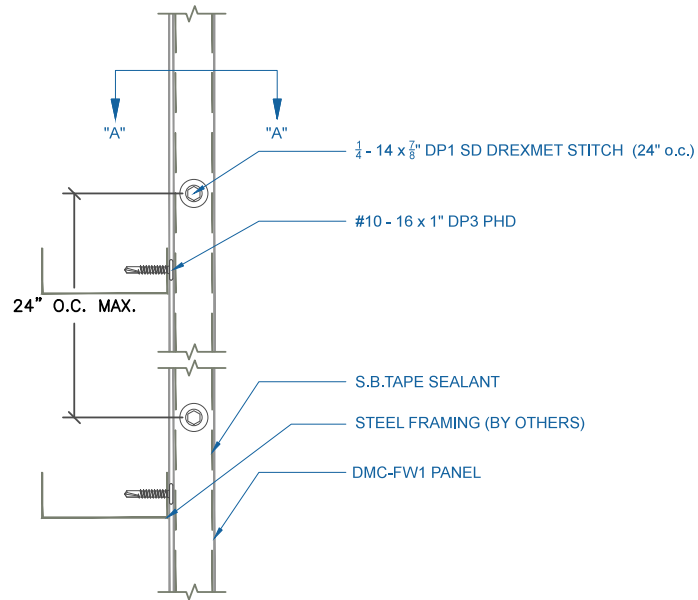


# DMC FW1 - OPEN FRAMING



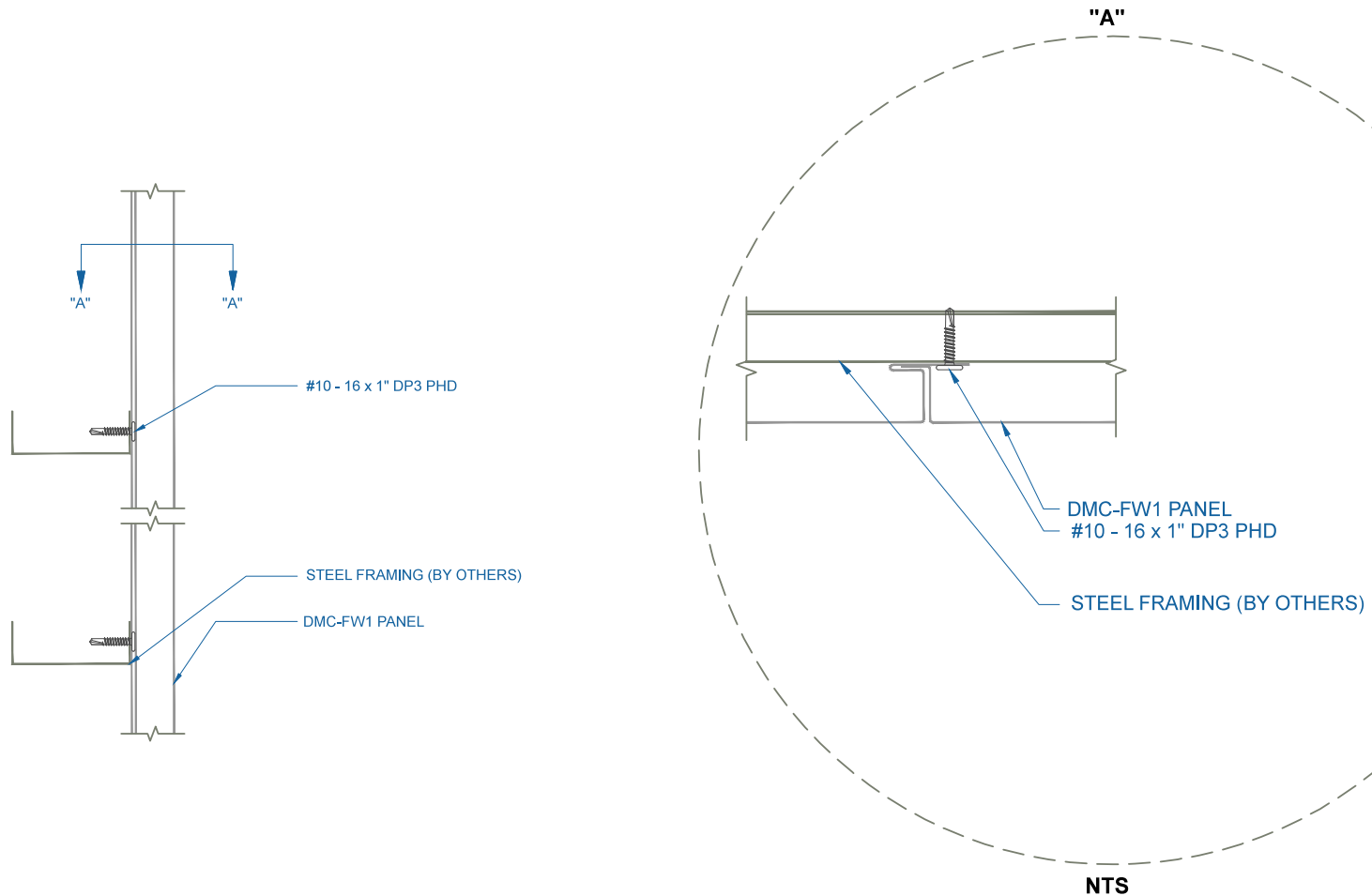
## WALL PANEL INSTALLATION

SCALE: 3" = 1'-0"

EFFECTIVE DATE: 05-17-13  
SUBJECT TO CHANGE WITHOUT NOTICE



# DMC FW1 - OPEN FRAMING



EFFECTIVE DATE: 05-17-13  
SUBJECT TO CHANGE WITHOUT NOTICE

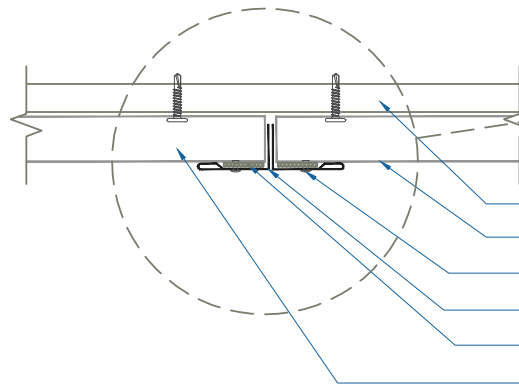
## SOFFIT PANEL INSTALLATION

SCALE: 3" = 1'-0"

**DrexelMetals**  
Roofing Systems + Custom Fabrication

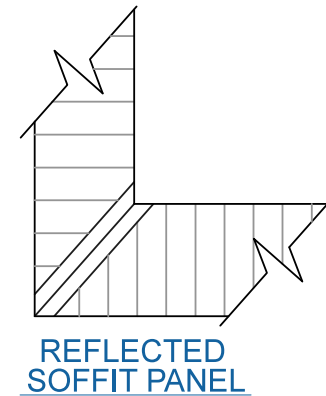
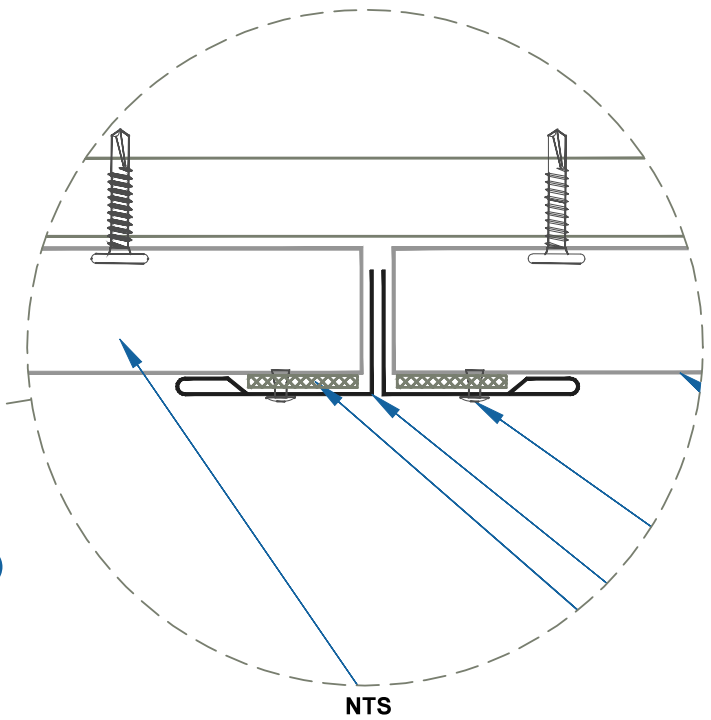


# DMC FW1 - OPEN FRAMING



- FRAMING MEMBER (BY OTHERS)
- DMC-FW1 PANEL
- 1/8" x 3/16" POP RIVET (12" o.c.)
- CORNER SPLICE TRIM
- S.B. TAPE SEALANT
- #10 - 16 x 1" DP3 PHD (12" o.c.)

ZOOMED IN VIEW



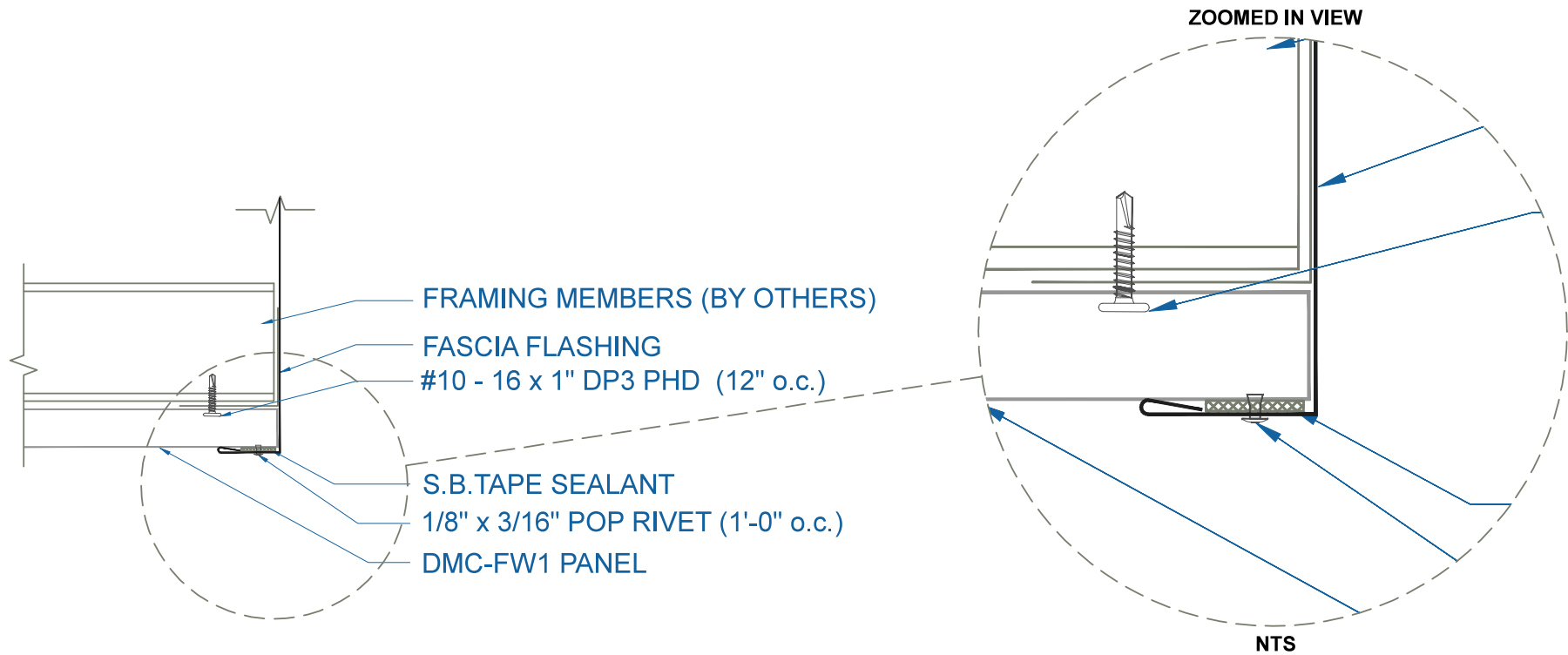
EFFECTIVE DATE: 04-23-13  
SUBJECT TO CHANGE WITHOUT NOTICE

## CORNER SPLICE

SCALE: 3" = 1'-0"



# DMC FW1 - OPEN FRAMING



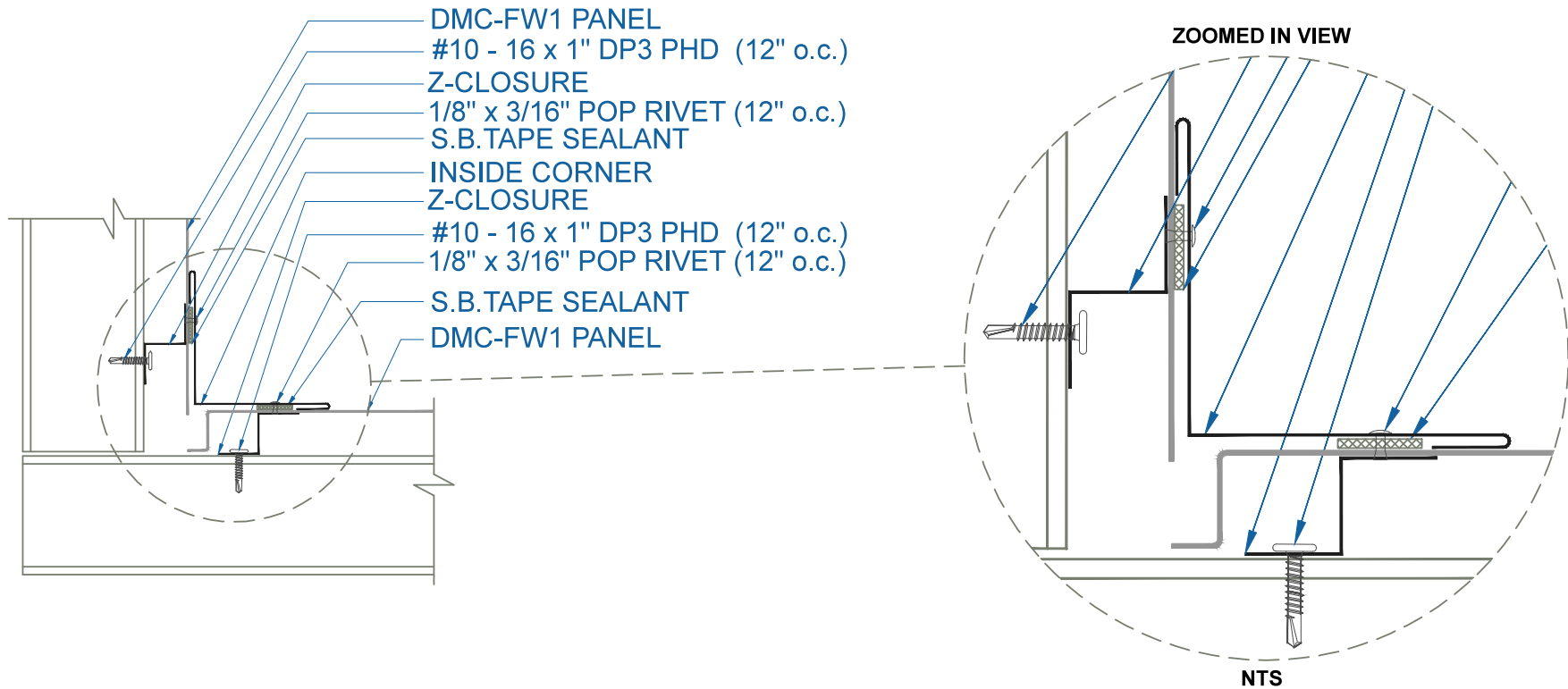
EFFECTIVE DATE: 04-23-13  
SUBJECT TO CHANGE WITHOUT NOTICE

## FASCIA TO SOFFIT

SCALE: 3" = 1'-0"



# DMC FW1 - OPEN FRAMING



EFFECTIVE DATE: 04-23-13  
SUBJECT TO CHANGE WITHOUT NOTICE

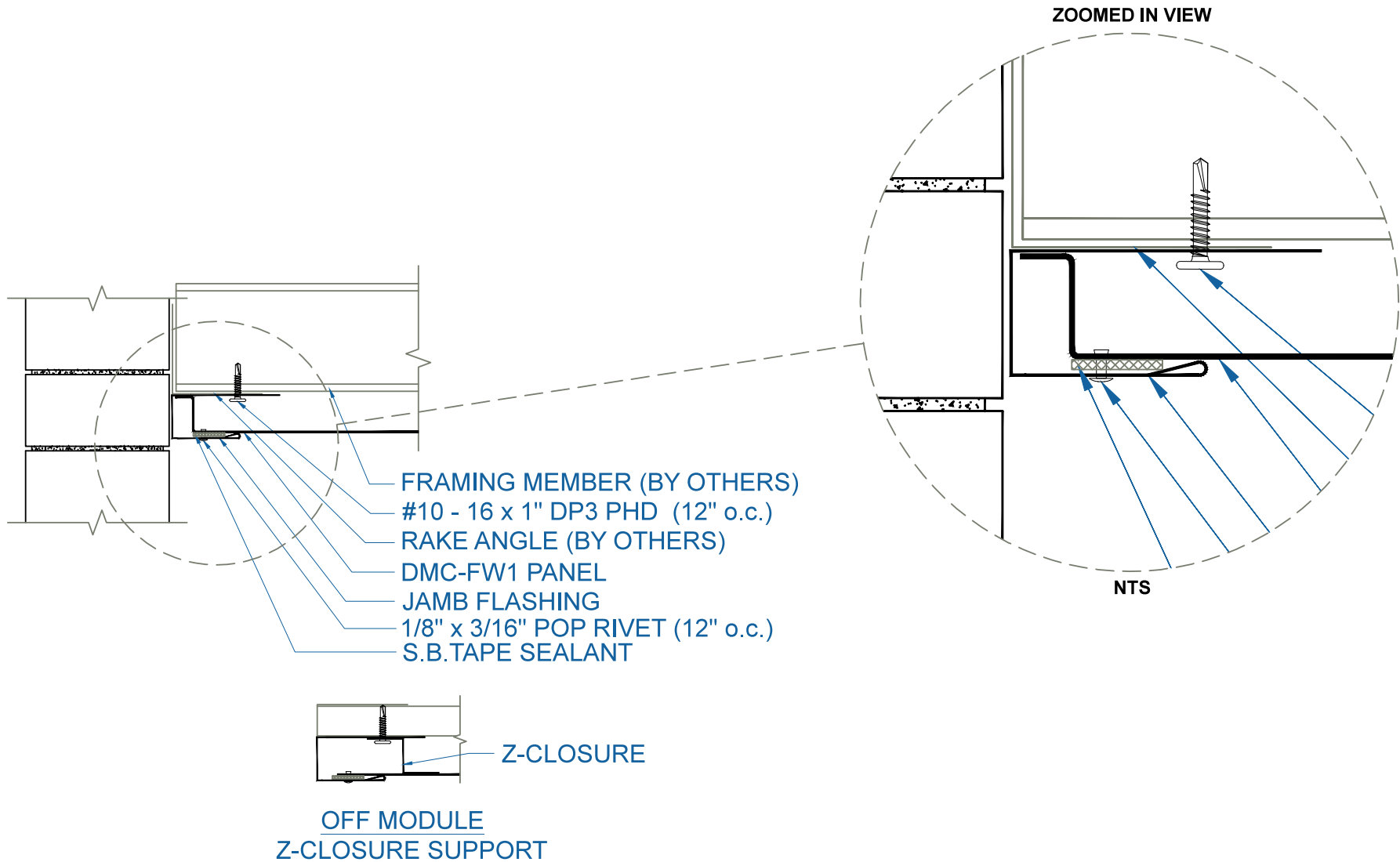
## INSIDE CORNER

SCALE: 3" = 1'-0"

**DrexelMetals**  
Roofing Systems + Custom Fabrication



# DMC FW1 - OPEN FRAMING

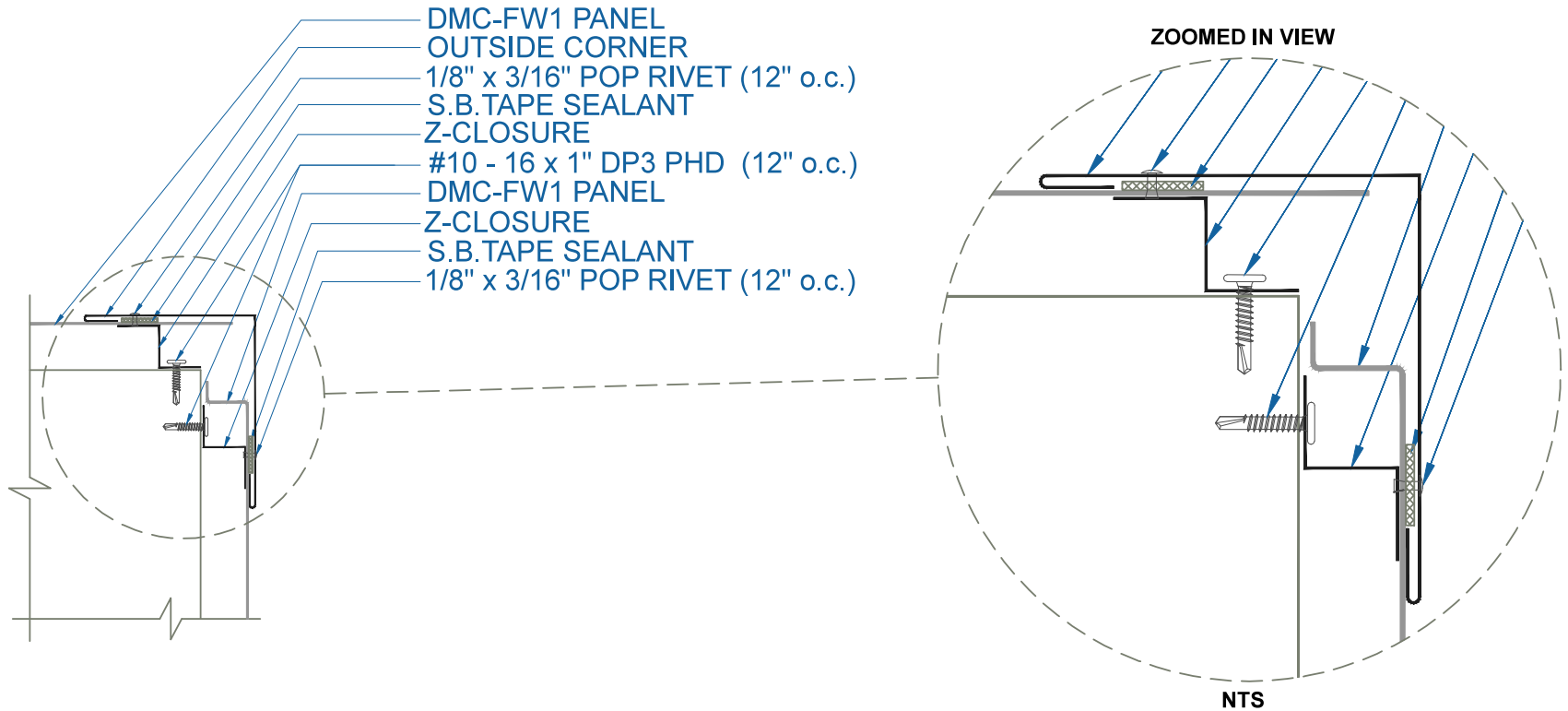


EFFECTIVE DATE: 04-23-13  
SUBJECT TO CHANGE WITHOUT NOTICE

**JAMB**  
SCALE: 3" = 1'-0"



# DMC FW1 - OPEN FRAMING



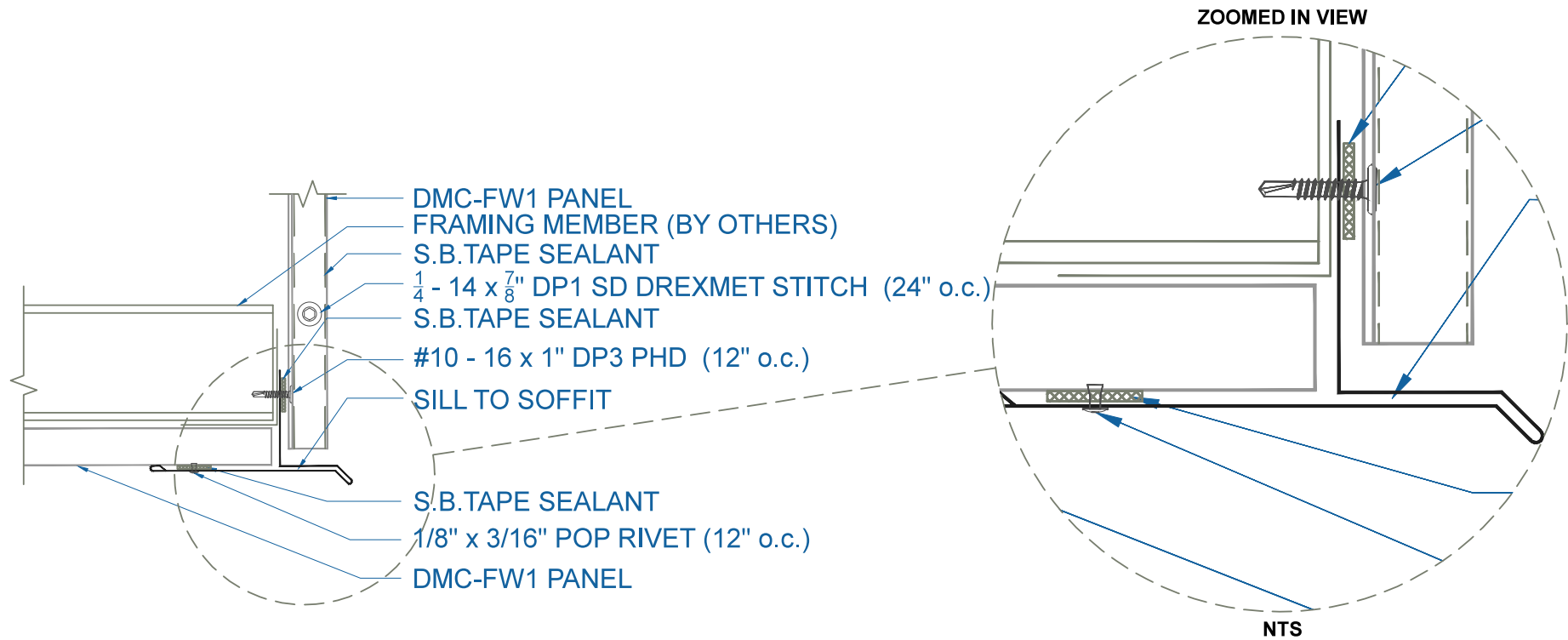
EFFECTIVE DATE: 04-23-13  
SUBJECT TO CHANGE WITHOUT NOTICE

## OUTSIDE CORNER

SCALE: 3" = 1'-0"



# DMC FW1 - OPEN FRAMING



EFFECTIVE DATE: 05-21-13  
SUBJECT TO CHANGE WITHOUT NOTICE

## SILL TO SOFFIT

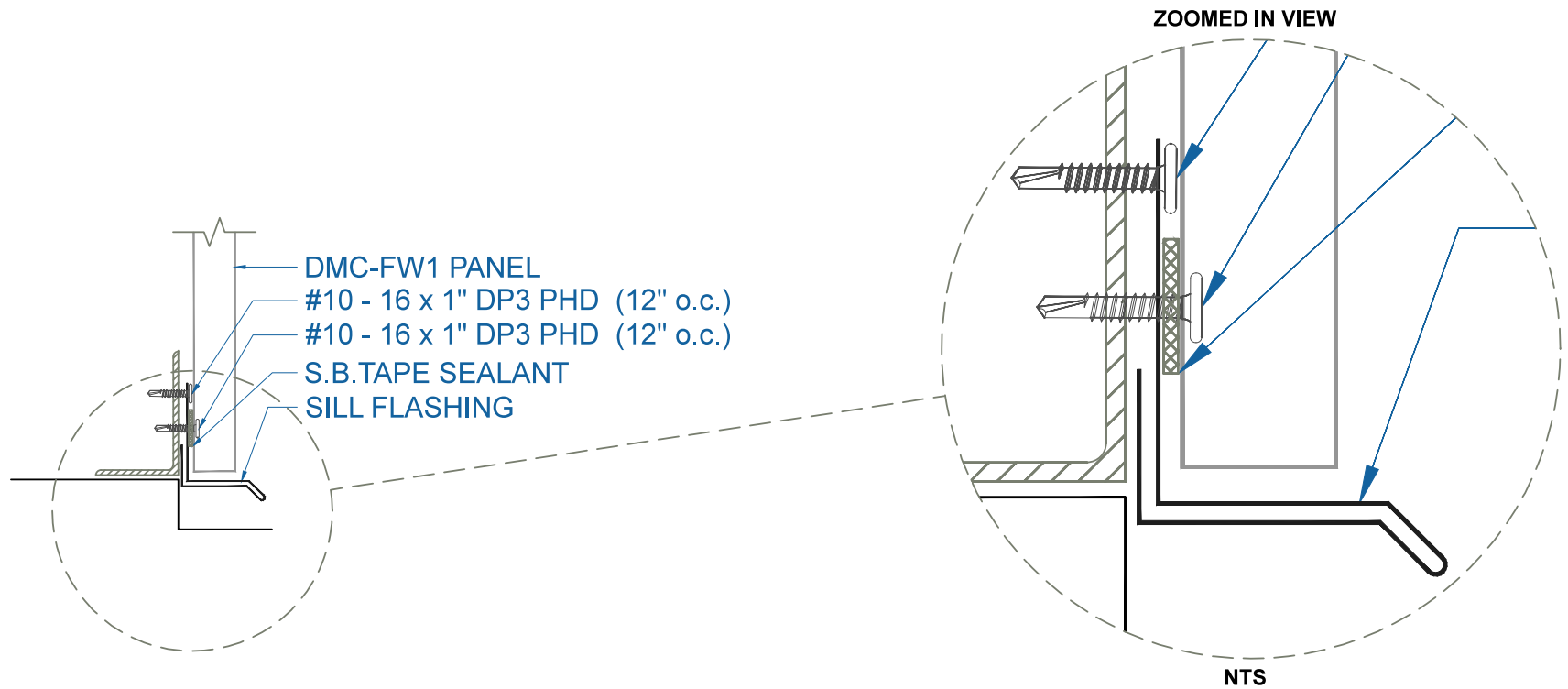
SCALE: 3" = 1'-0"

**DrexelMetals**  
Roofing Systems + Custom Fabrication





# DMC FW1 - OPEN FRAMING

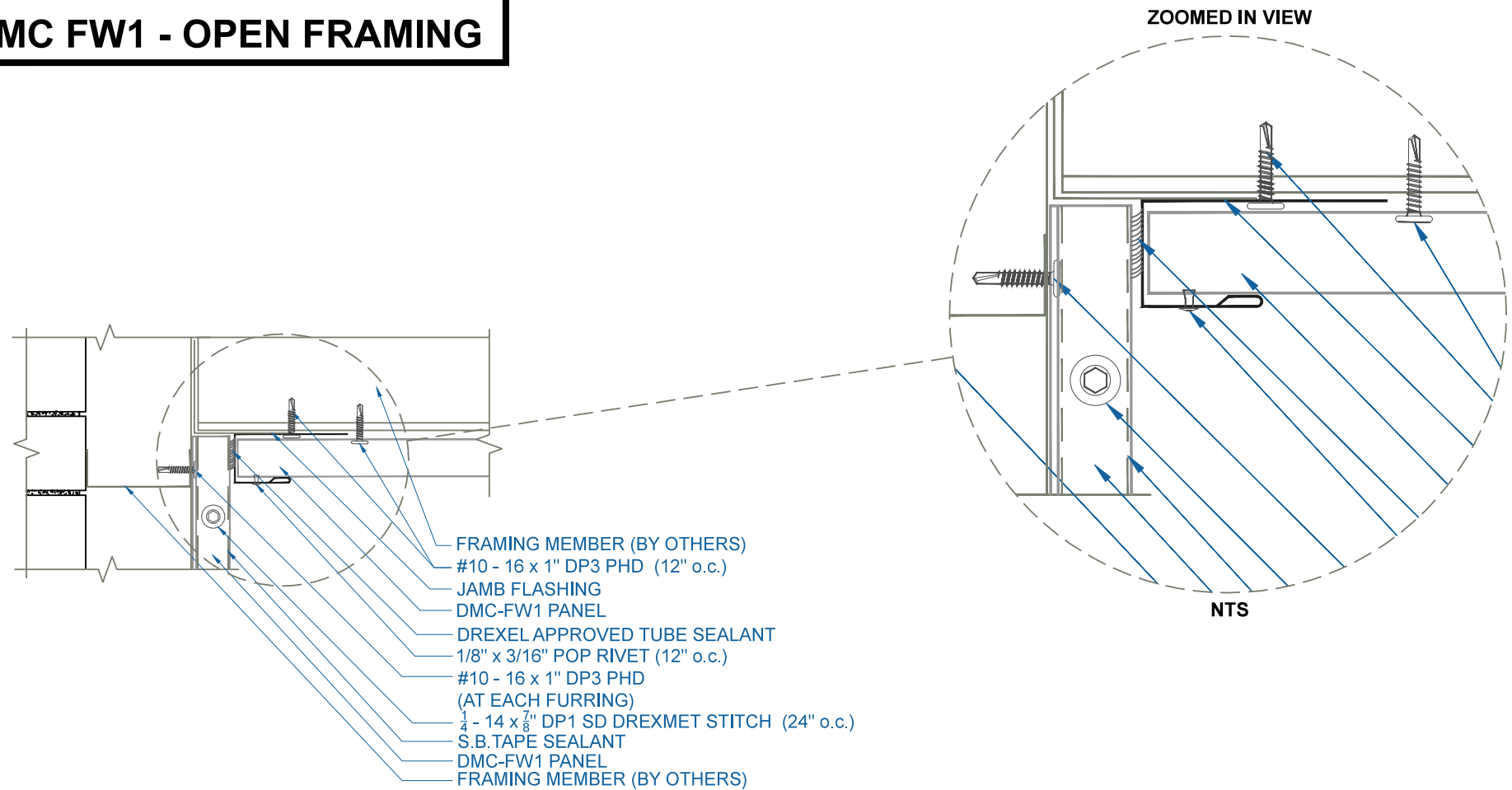


EFFECTIVE DATE: 04-07-13  
SUBJECT TO CHANGE WITHOUT NOTICE

**SILL**  
SCALE: 3" = 1'-0"



# DMC FW1 - OPEN FRAMING



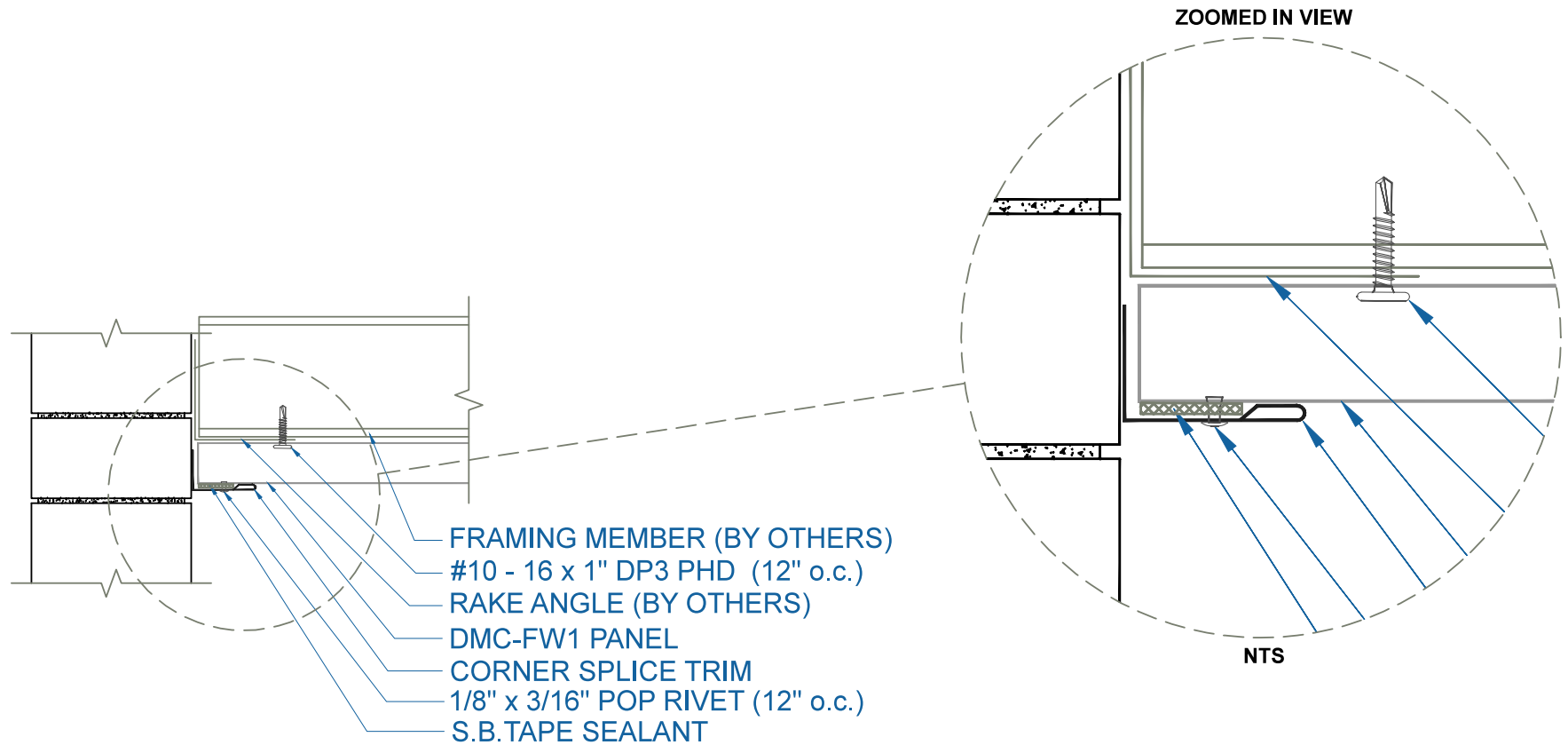
## SOFFIT TO WALL PANEL

SCALE: 3" = 1'-0"

EFFECTIVE DATE: 05-21-13  
SUBJECT TO CHANGE WITHOUT NOTICE



# DMC FW1 - OPEN FRAMING



EFFECTIVE DATE: 04-07-13  
SUBJECT TO CHANGE WITHOUT NOTICE

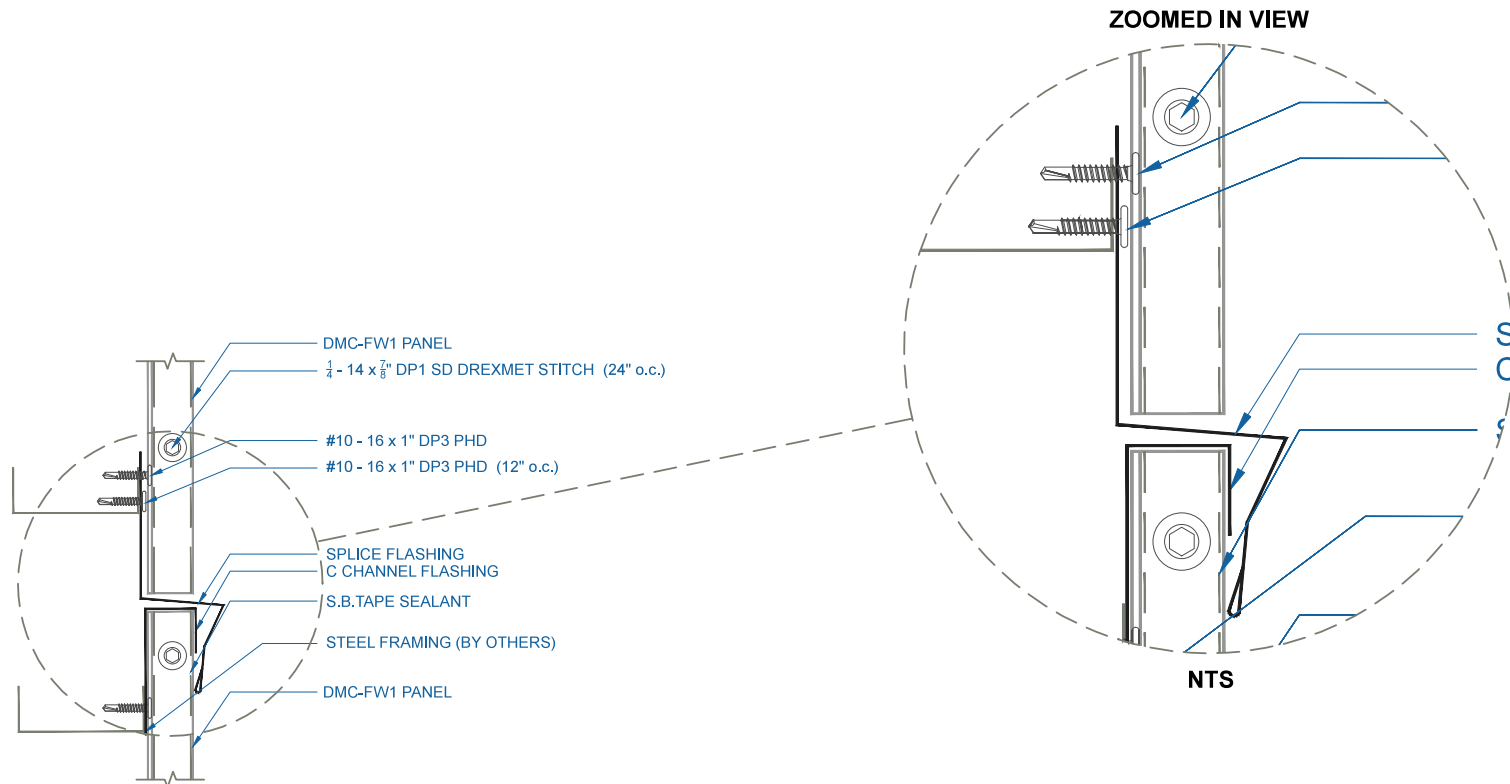
## SOFFIT TO WALL

SCALE: 3" = 1'-0"

**DrexelMetals**  
Roofing Systems + Custom Fabrication



# DMC FW1 - OPEN FRAMING

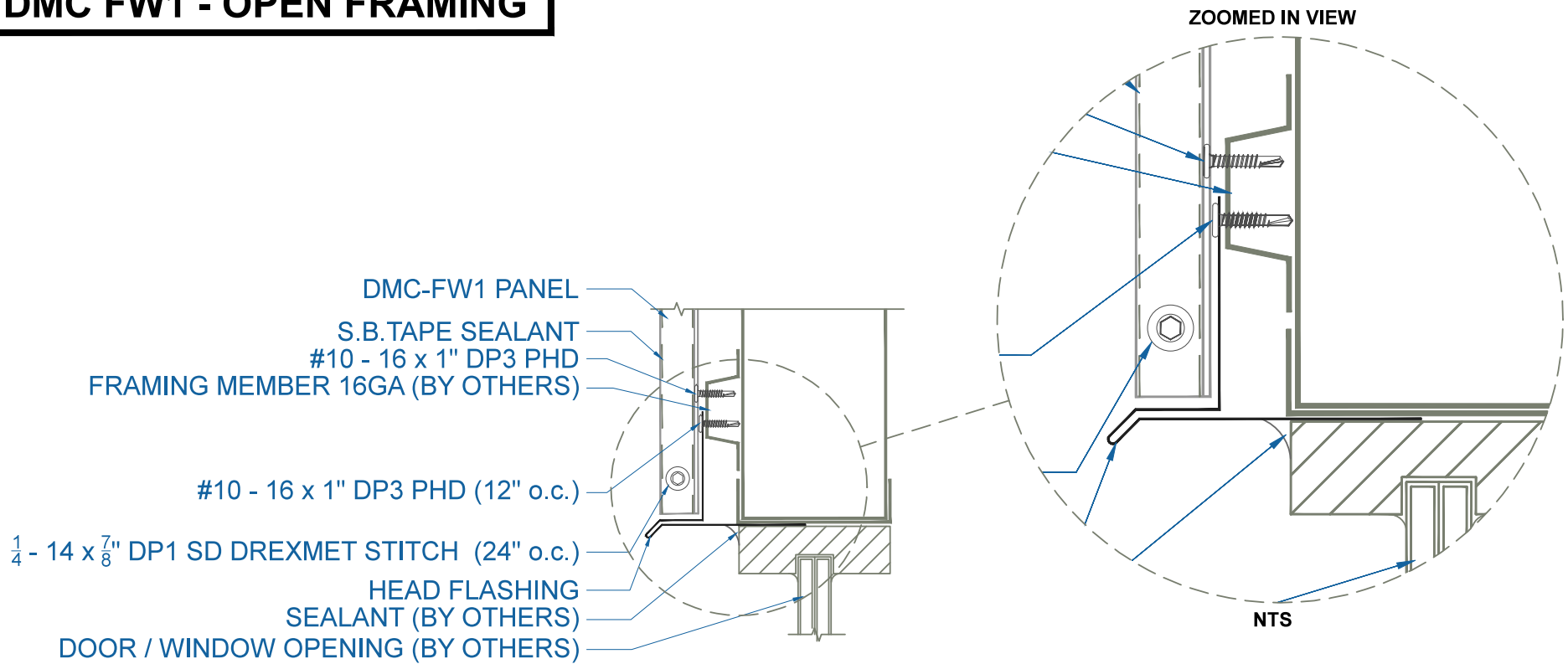


EFFECTIVE DATE: 05-17-13  
SUBJECT TO CHANGE WITHOUT NOTICE

## WALL PANEL SPLICE

SCALE: 3" = 1'-0"

# DMC FW1 - OPEN FRAMING



EFFECTIVE DATE: 05-21-13  
SUBJECT TO CHANGE WITHOUT NOTICE

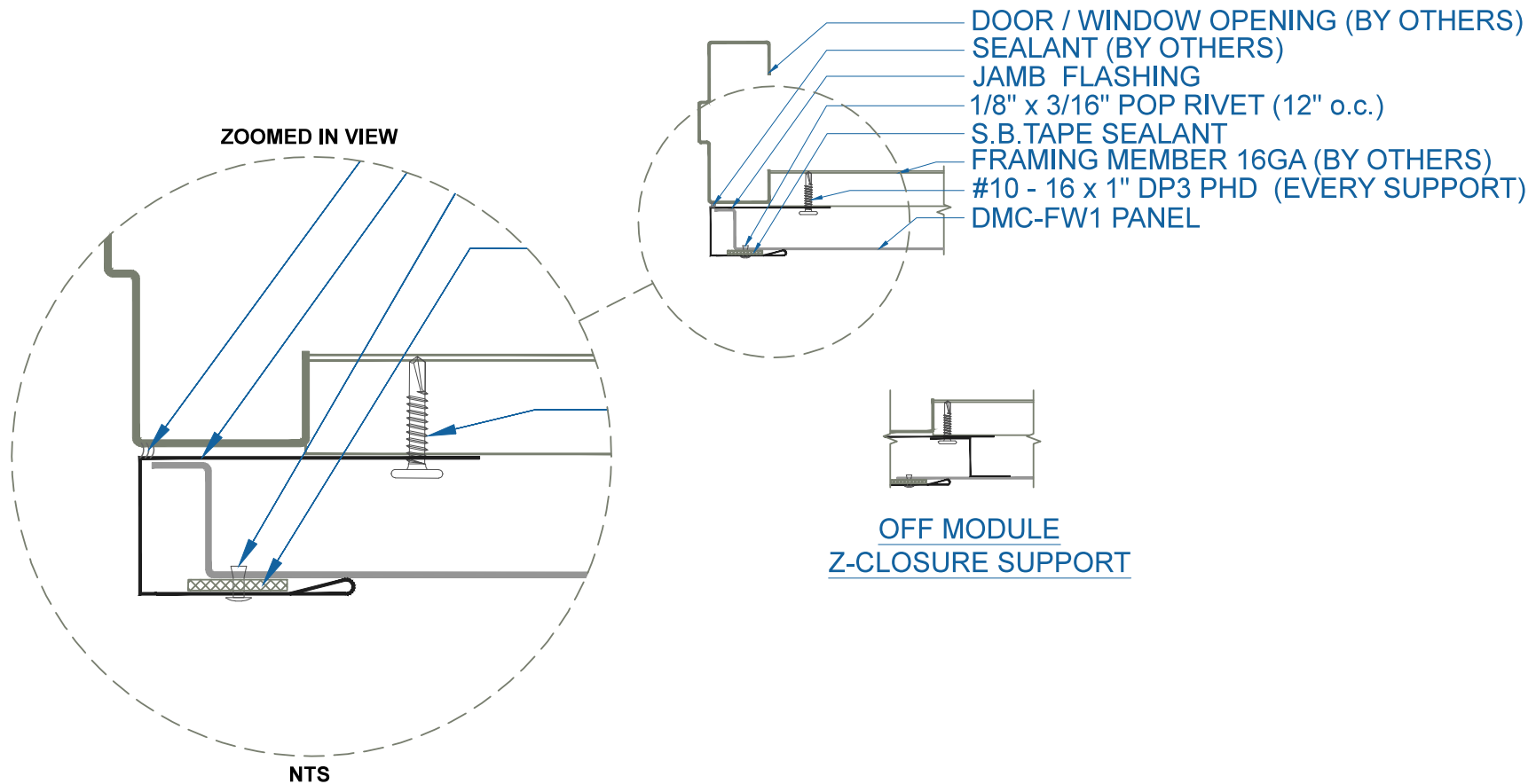
## WINDOW-DOOR HEAD

SCALE: 3" = 1'-0"

**DrexelMetals**  
Roofing Systems + Custom Fabrication



# DMC FW1 - OPEN FRAMING



EFFECTIVE DATE: 05-21-13  
SUBJECT TO CHANGE WITHOUT NOTICE

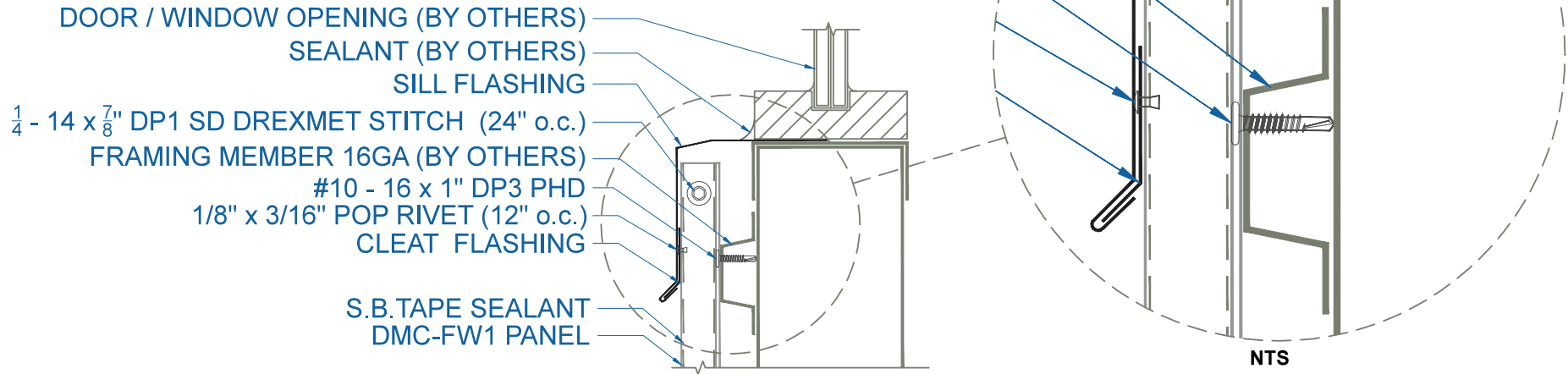
## WINDOW-DOOR JAMB

SCALE: 3" = 1'-0"

**DrexelMetals**  
Roofing Systems + Custom Fabrication



# DMC FW1 - OPEN FRAMING



EFFECTIVE DATE: 05-21-13  
SUBJECT TO CHANGE WITHOUT NOTICE

## WINDOW-DOOR SILL

SCALE: 3" = 1'-0"

**DrexelMetals**  
Roofing Systems + Custom Fabrication

