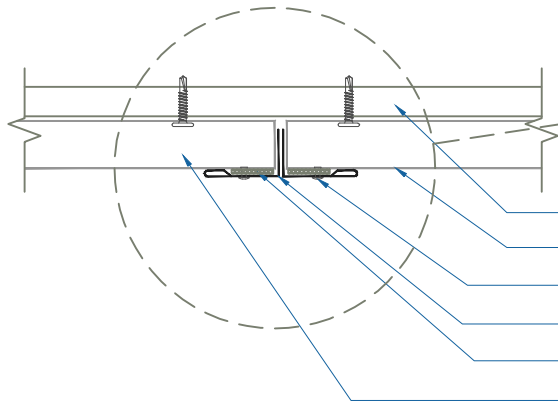
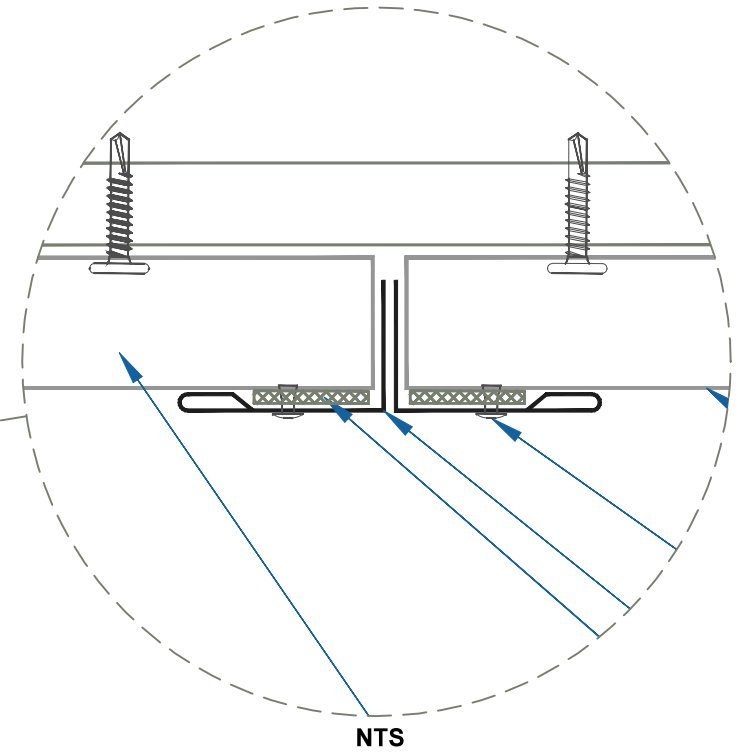


DMC FW1 - OPEN FRAMING

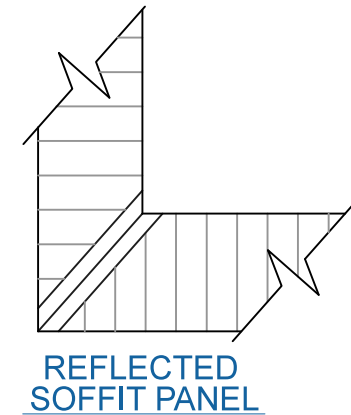
ZOOMED IN VIEW



- FRAMING MEMBER (BY OTHERS)
- DMC-FW1 PANEL
- 1/8" x 3/16" POP RIVET (12" o.c.)
- CORNER SPLICE TRIM
- S.B.TAPE SEALANT
- #10 - 16 x 1" DP3 PHD (12" o.c.)



NTS



REFLECTED SOFFIT PANEL

CORNER SPLICE

SCALE: 3" = 1'-0"

EFFECTIVE DATE: 04-23-13
SUBJECT TO CHANGE WITHOUT NOTICE

