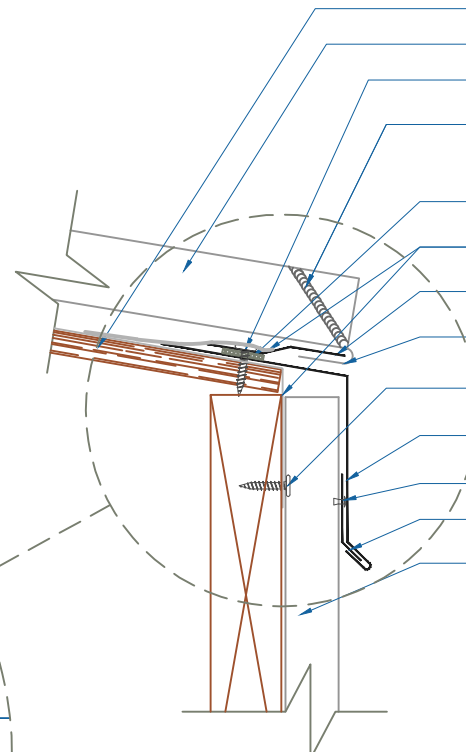
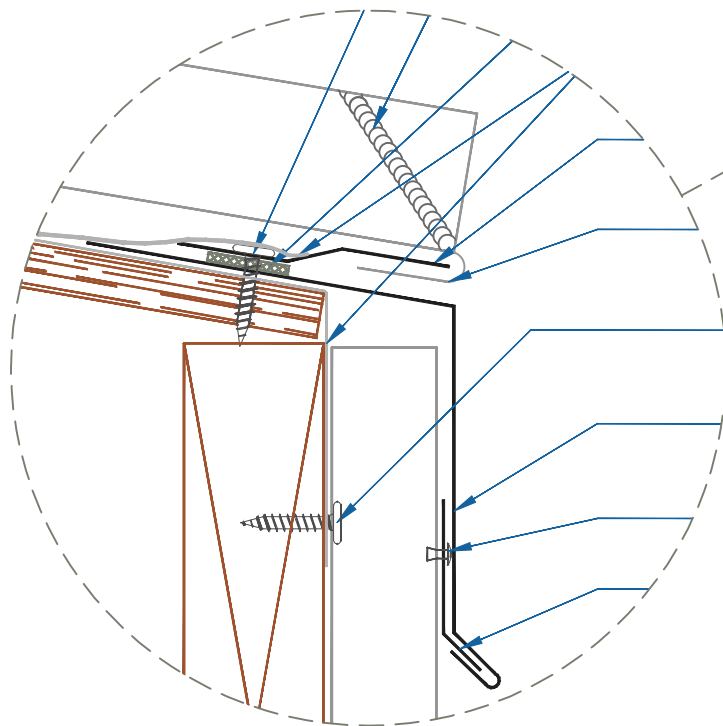


DMC CAP SEAM - PLYWOOD

- PLYWOOD SUBSTRATE (1/2" MIN.)
- DMC CAP SEAM PANEL
- #10 - 13 x 1" PHW (12" o.c.)
- DREXEL APPROVED TUBE SEALANT (FIELD APPLIED BETWEEN PANEL RIBS)
- D.B. TAPE SEALANT
- METSHIELD UNDERLAYMENT
- OFFSET CLEAT FLASHING
- FIELD CUT & HEM PANEL 180°
- #10 - 13 x 1" PHW
- EAVE FLASHING
- 1/8" - #43 POP RIVET (6" o.c.)
- CLEAT FLASHING
- DMC FW1 PANEL



ZOOMED IN VIEW



NTS

EAVE w/FLUSH PANEL

SCALE: 3" = 1'-0"



EFFECTIVE DATE: 08-14-2013
SUBJECT TO CHANGE WITHOUT NOTICE