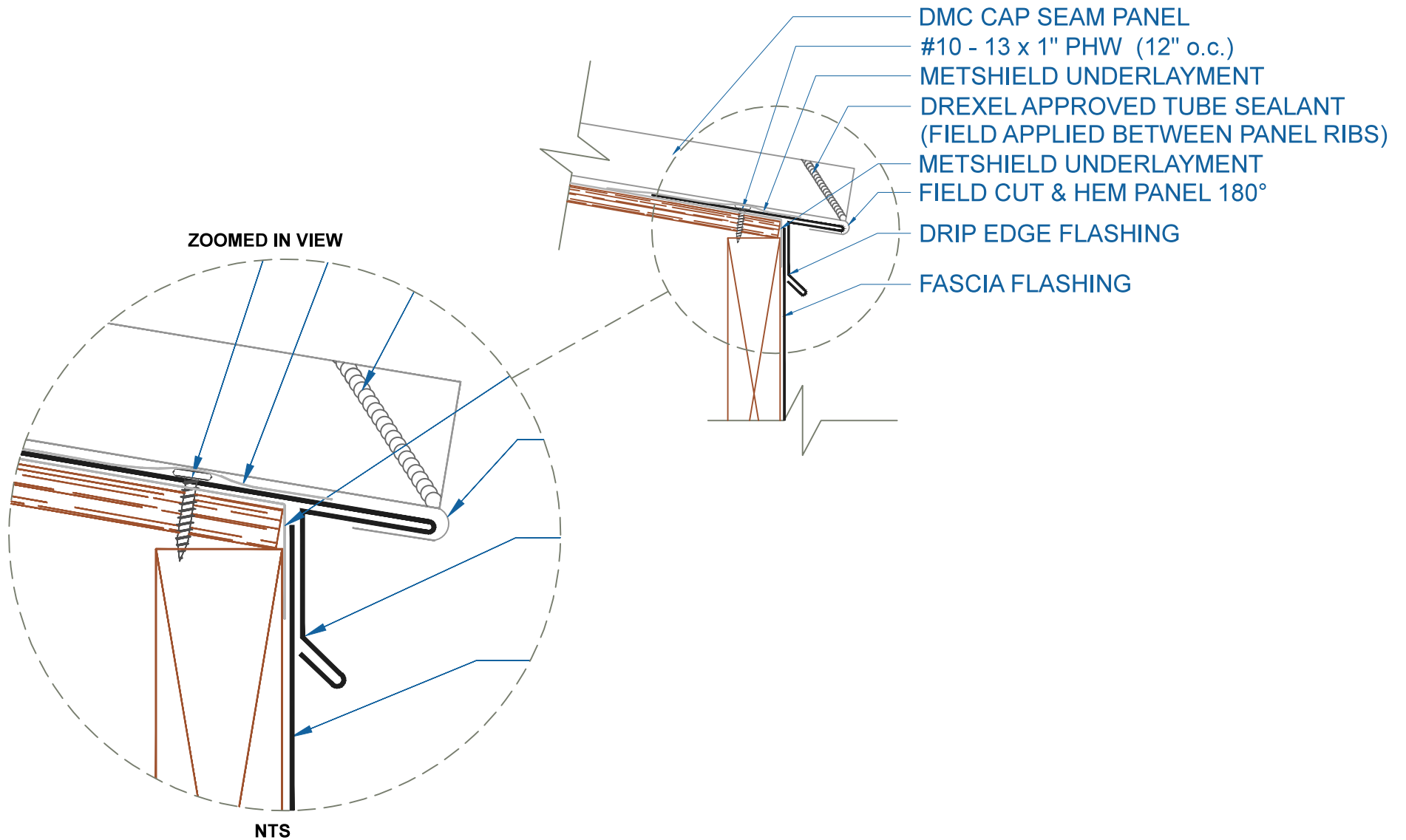


# DMC CAP SEAM - PLYWOOD



EFFECTIVE DATE: 08-14-2013  
SUBJECT TO CHANGE WITHOUT NOTICE

## DRIP EDGE

SCALE: 3" = 1'-0"

