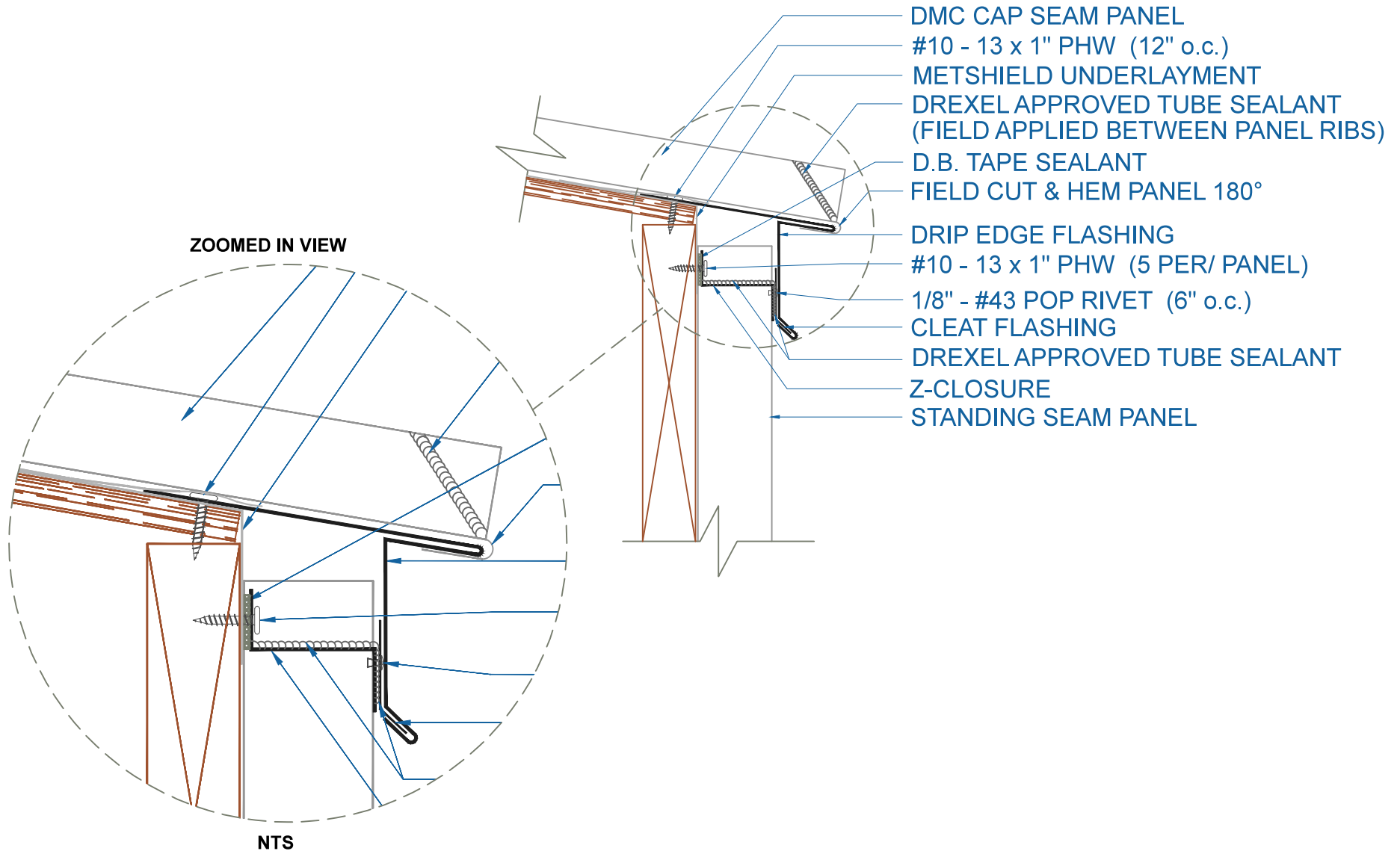


DMC CAP SEAM - PLYWOOD



DRIP EDGE w/STANDING SEAM PANEL

EFFECTIVE DATE: 08-14-2013
SUBJECT TO CHANGE WITHOUT NOTICE

SCALE: 3" = 1'-0"

DrexelMetals
Roofing Systems + Custom Fabrication

