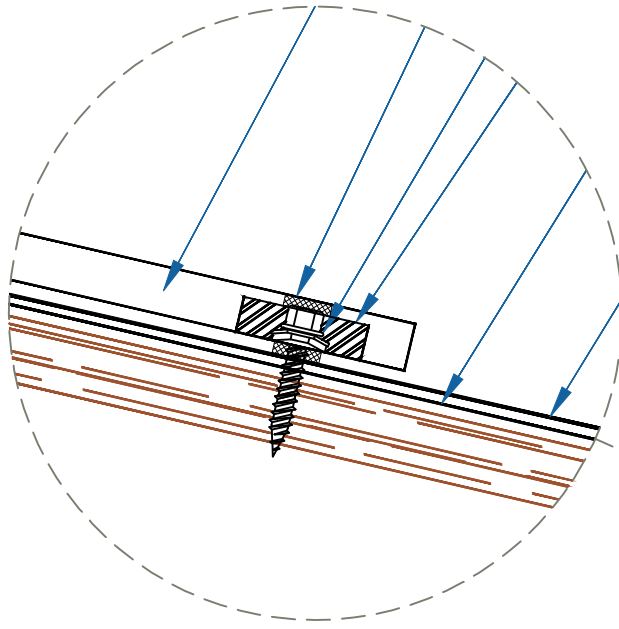
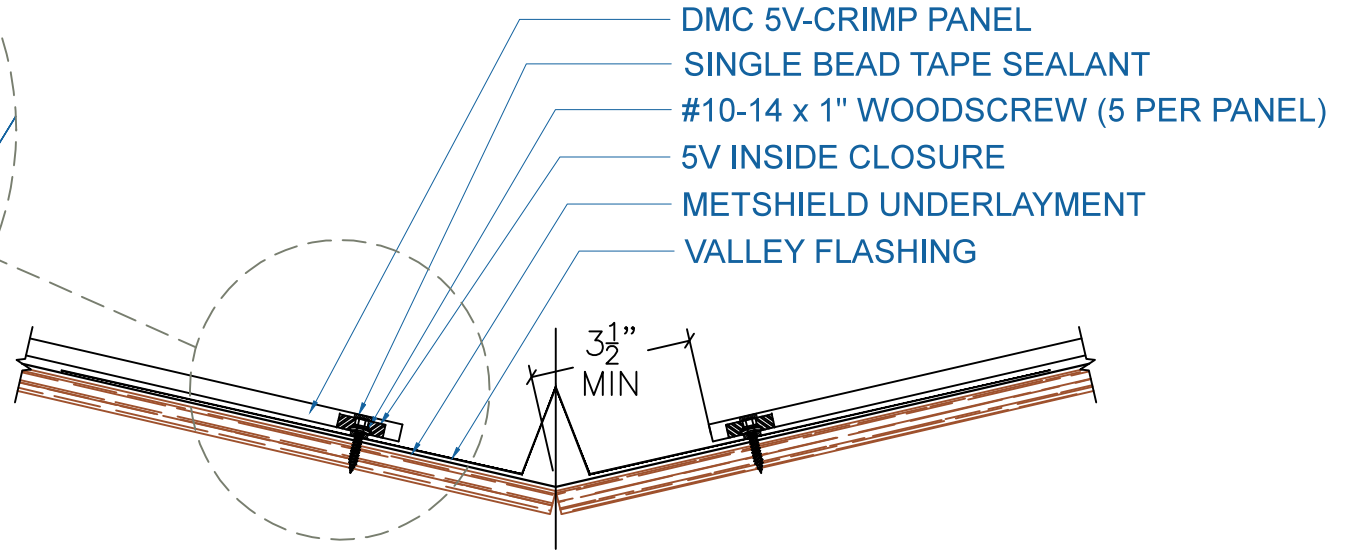


DMC 5V - OSB

ZOOMED IN VIEW



NTS



NOTE:

- 1.) LAPS IN VALLEY ARE 12" MIN. DREXEL METALS APPROVED TUBE SEALANT IN ALL LAPS IN VALLEY. TWO ROWS OF SEALANT BETWEEN VALLEY LAPS, 4" UP FROM LAP.
- 2.) LARGE ROOF AREAS MAY REQUIRE A LARGER GAP BETWEEN PANEL AND DIVERTER TO ALLOW FOR STORM WATER RUN OFF.

EFFECTIVE DATE:10-30-14
SUBJECT TO CHANGE WITHOUT NOTICE

VALLEY

SCALE: 3" = 1'-0"

Drexel Metals
Roofing Systems + Custom Fabrication

