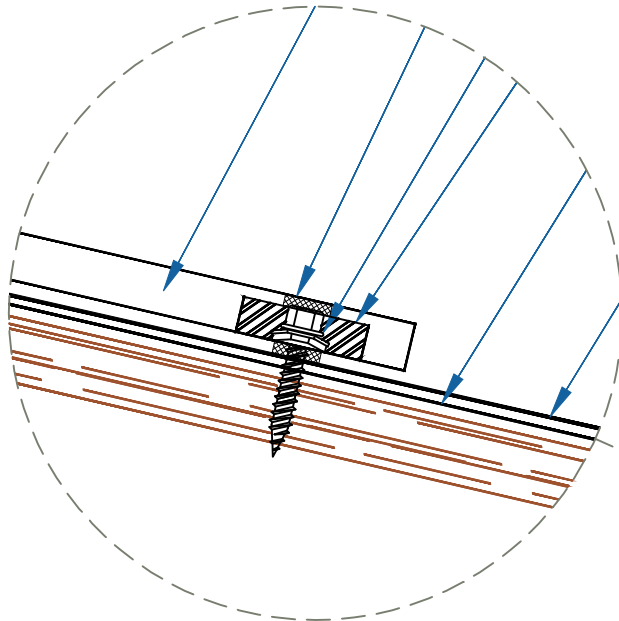
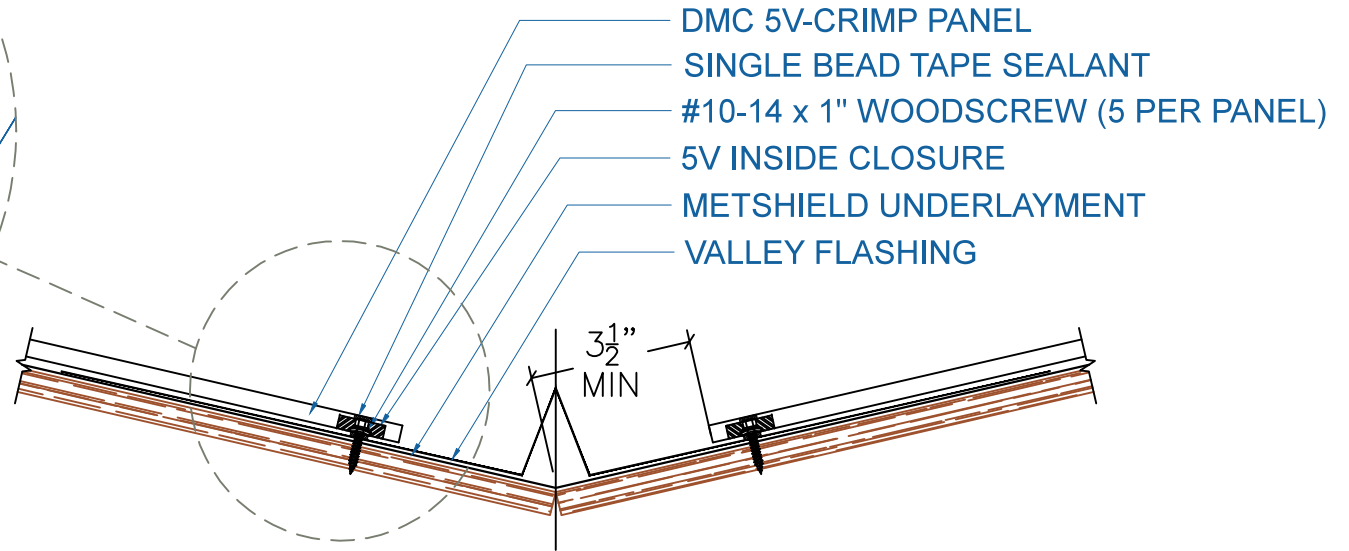


# DMC 5V - OSB

ZOOMED IN VIEW



NTS



NOTE:

- 1.) LAPS IN VALLEY ARE 12" MIN.  
DREXEL METALS APPROVED TUBE SEALANT IN ALL LAPS IN VALLEY.  
TWO ROWS OF SEALANT BETWEEN VALLEY LAPS, 4" UP FROM LAP.
- 2.) LARGE ROOF AREAS MAY REQUIRE A LARGER GAP BETWEEN PANEL AND DIVERTER TO ALLOW FOR STORM WATER RUN OFF.

EFFECTIVE DATE:10-30-14  
SUBJECT TO CHANGE WITHOUT NOTICE

## VALLEY

SCALE: 3" = 1'-0"

**Drexel Metals**  
Roofing Systems + Custom Fabrication

