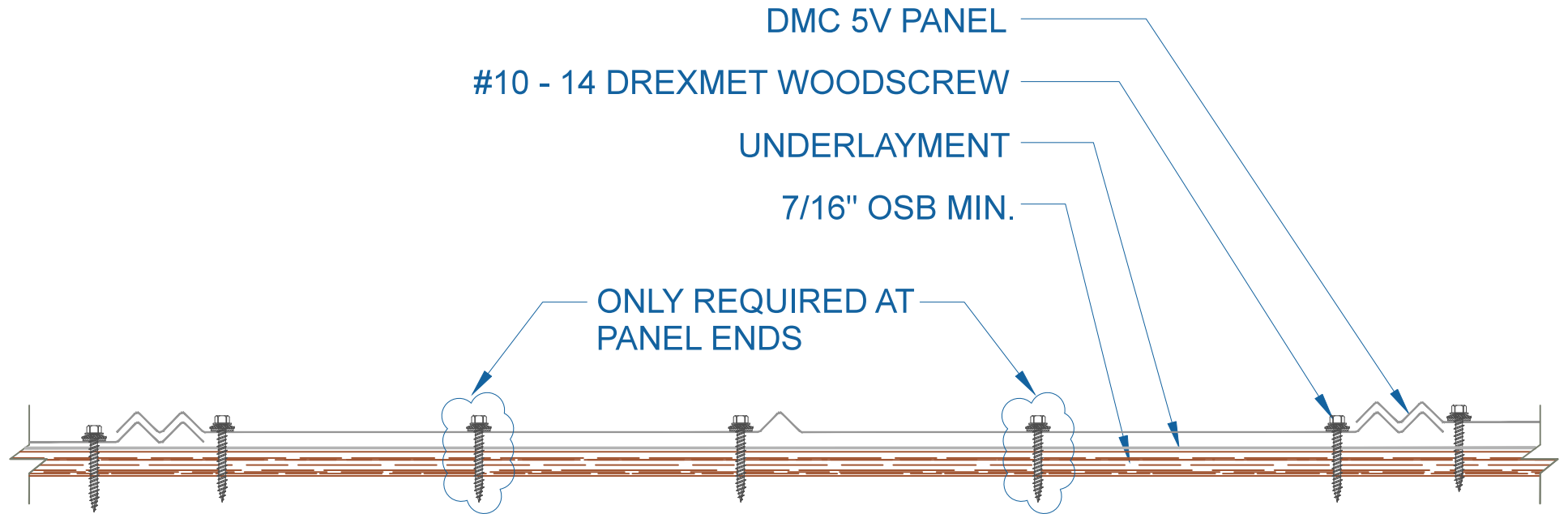


DMC 5V - OSB SUBSTRATE



EFFECTIVE DATE: 02-17-2016
SUBJECT TO CHANGE WITHOUT NOTICE

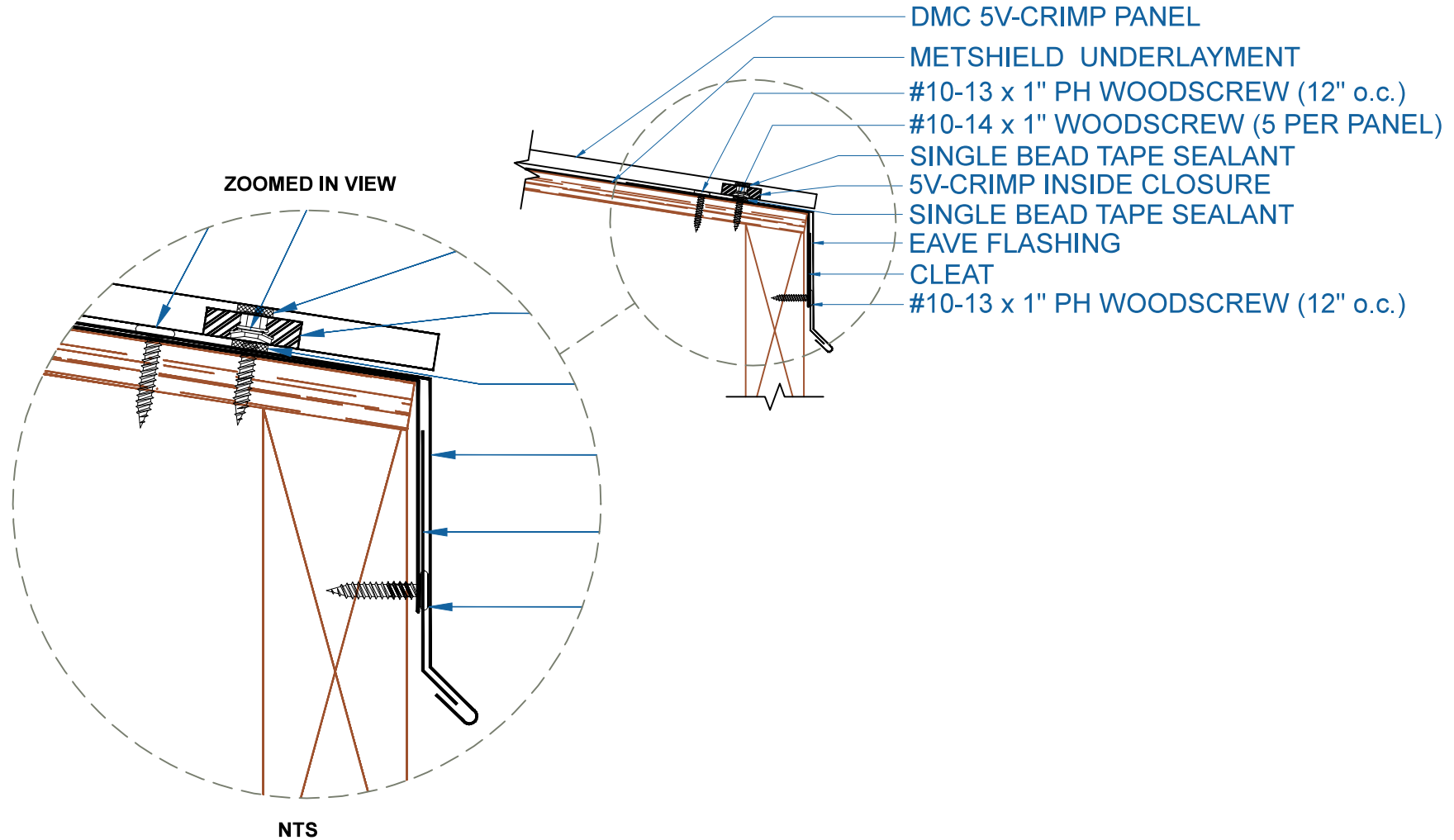
PANEL INSTALLATION

SCALE: NTS

DrexelMetals
Roofing Systems + Custom Fabrication



DMC 5V - OSB

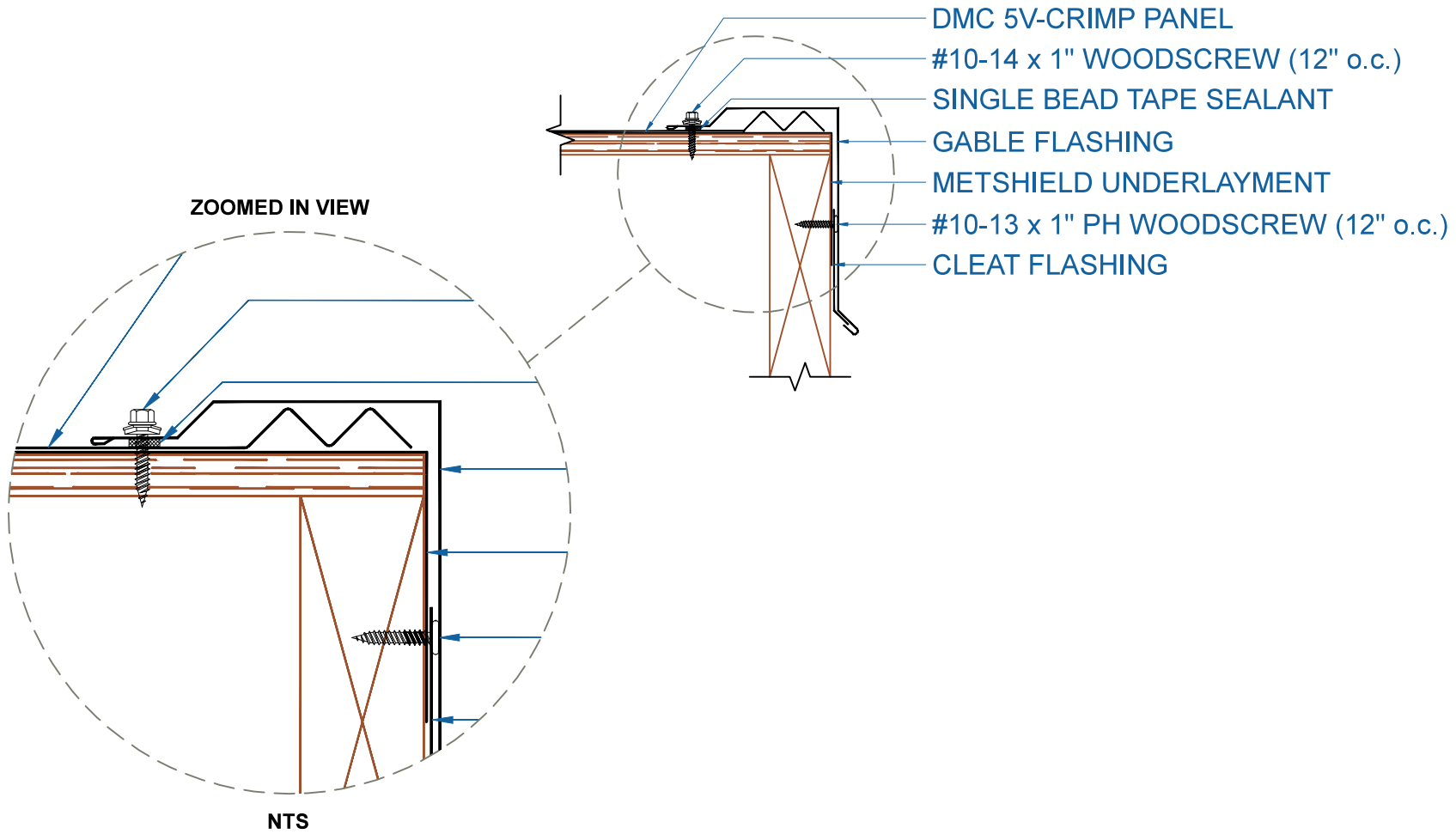


EFFECTIVE DATE: 10-29-14
SUBJECT TO CHANGE WITHOUT NOTICE

EAVE

SCALE: 3" = 1'-0"

DMC 5V - OSB

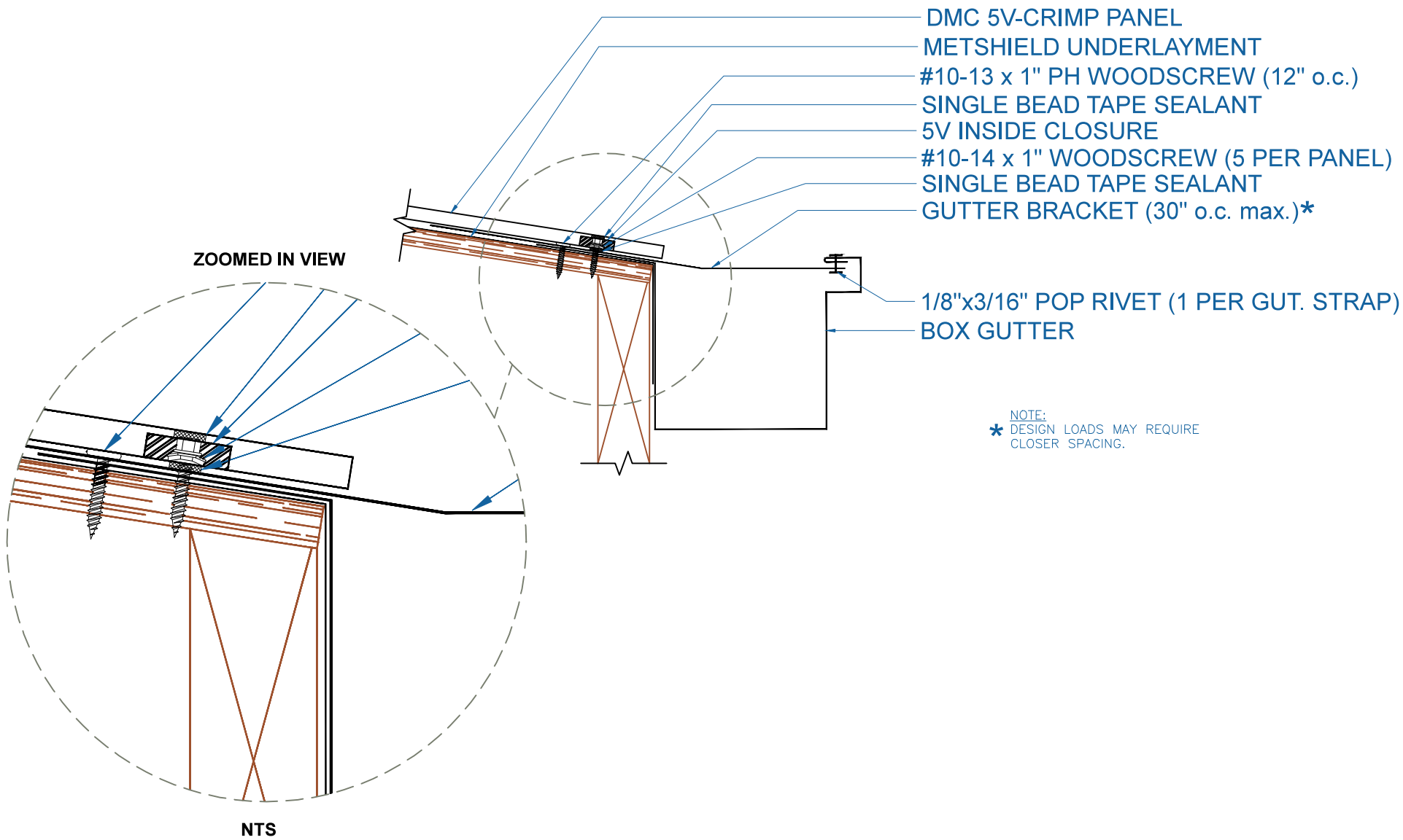


EFFECTIVE DATE: 10-30-14
SUBJECT TO CHANGE WITHOUT NOTICE

GABLE
SCALE: 3" = 1'-0"



DMC 5V - OSB

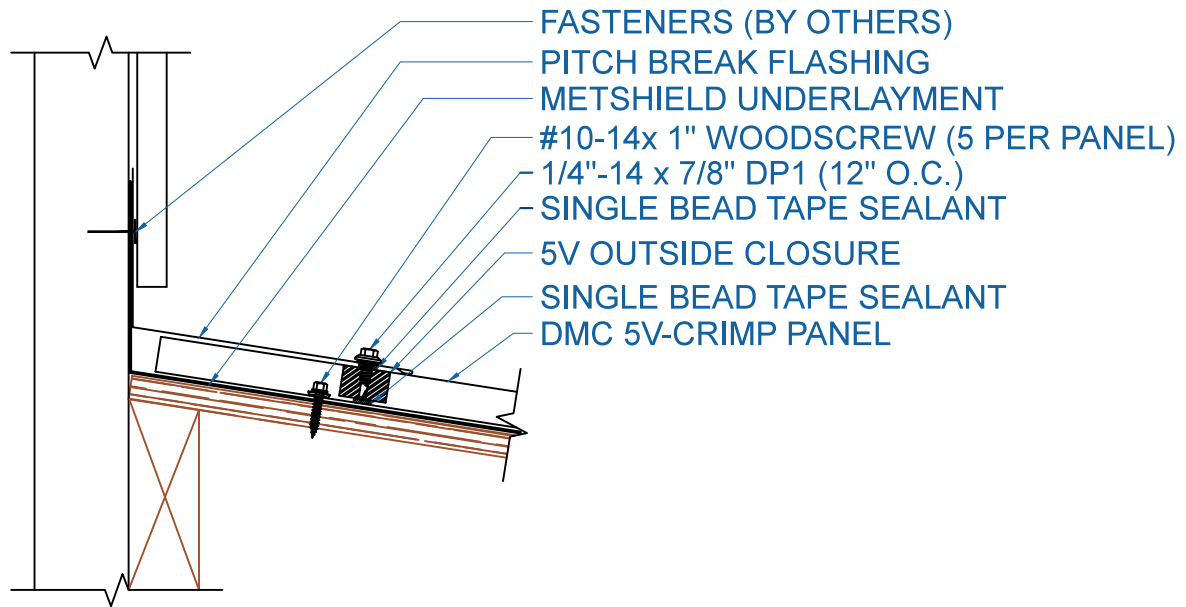


EFFECTIVE DATE: 10-29-14
SUBJECT TO CHANGE WITHOUT NOTICE

BOX GUTTER

SCALE: 3" = 1'-0"

DMC 5V - OSB



EFFECTIVE DATE: 10-29-14
SUBJECT TO CHANGE WITHOUT NOTICE

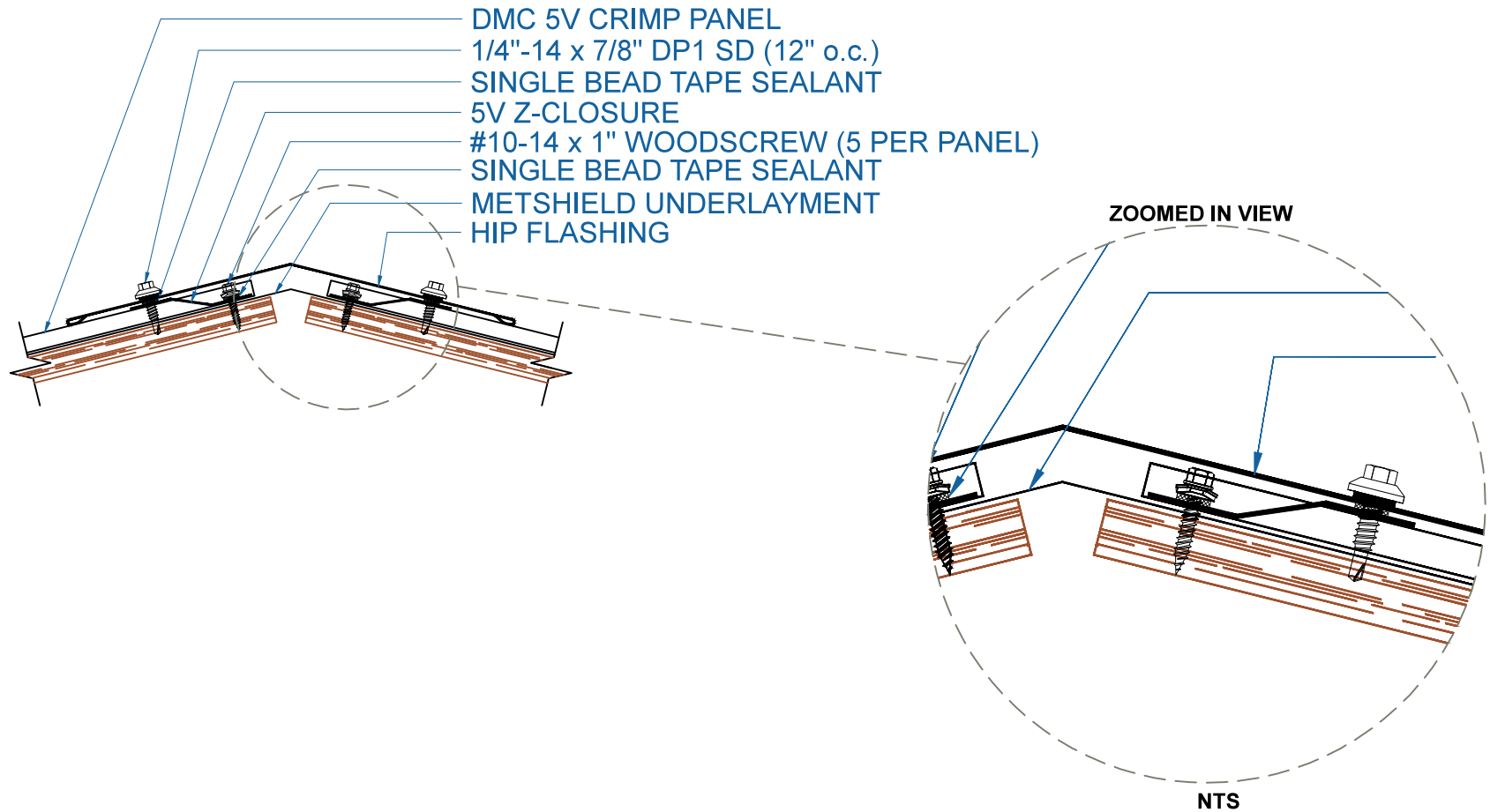
HEADWALL

SCALE: 3" = 1'-0"

DrexelMetals
Roofing Systems + Custom Fabrication



DMC 5V - OSB

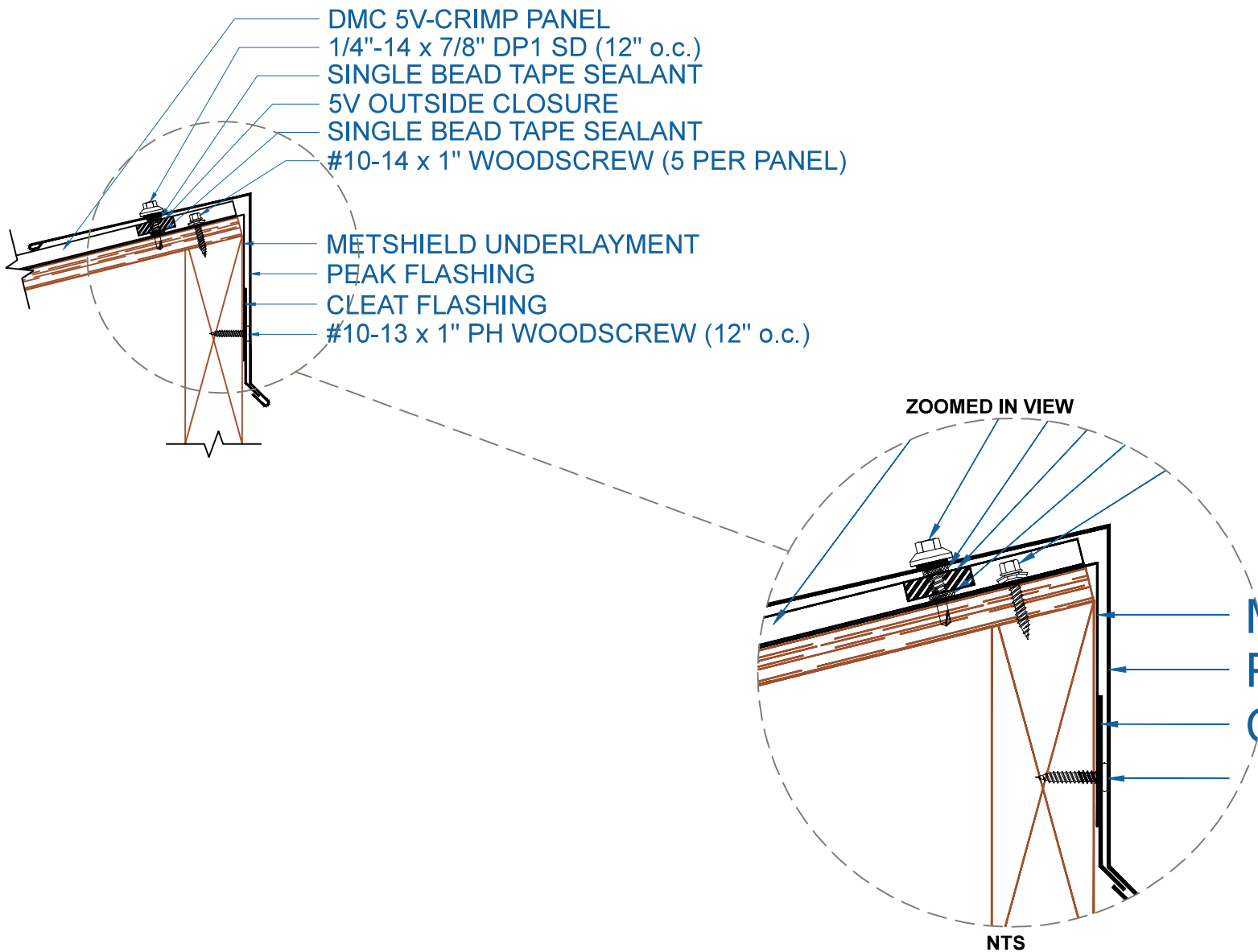


EFFECTIVE DATE: 10-30-14
SUBJECT TO CHANGE WITHOUT NOTICE

HIP
SCALE: 3" = 1'-0"



DMC 5V - OSB



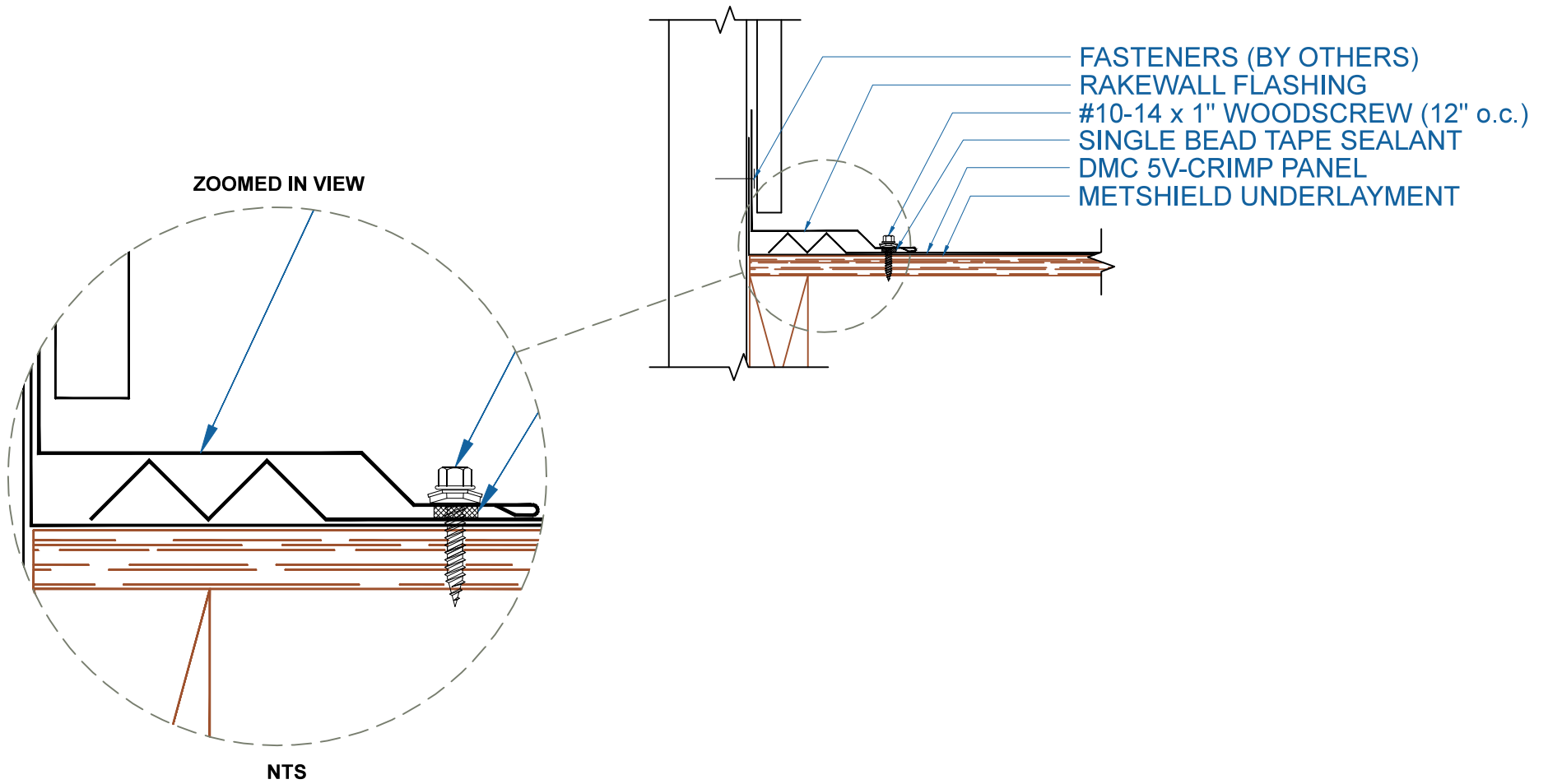
EFFECTIVE DATE: 10-30-14
SUBJECT TO CHANGE WITHOUT NOTICE

PEAK
SCALE: 3" = 1'-0"

Drexel Metals
Roofing Systems + Custom Fabrication



DMC 5V - OSB



EFFECTIVE DATE: 10-30-14
SUBJECT TO CHANGE WITHOUT NOTICE

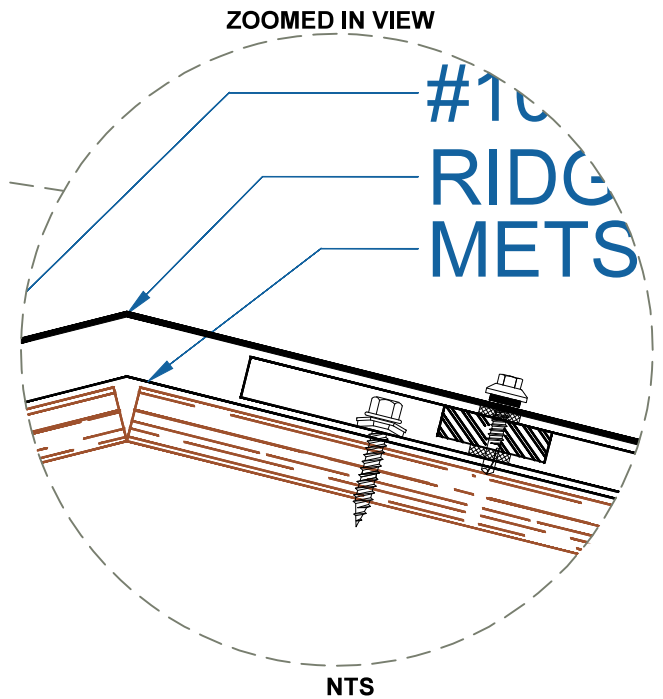
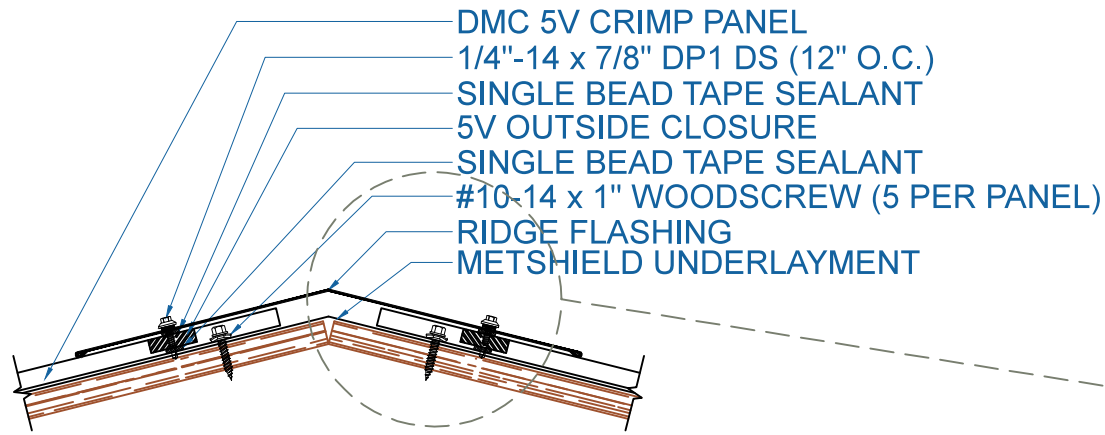
RAKEWALL

SCALE: 3" = 1'-0"

DrexelMetals
Roofing Systems + Custom Fabrication



DMC 5V - OSB



EFFECTIVE DATE: 10-30-14
SUBJECT TO CHANGE WITHOUT NOTICE

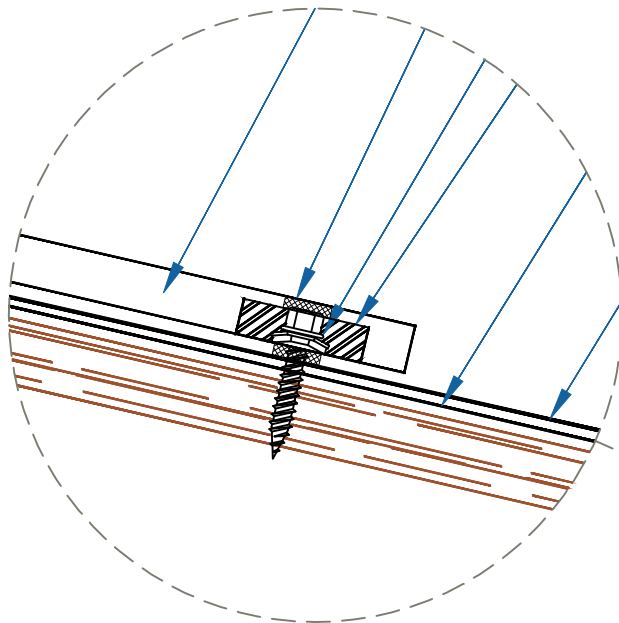
RIDGE
SCALE: 3" = 1'-0"

Drexel Metals
Roofing Systems + Custom Fabrication

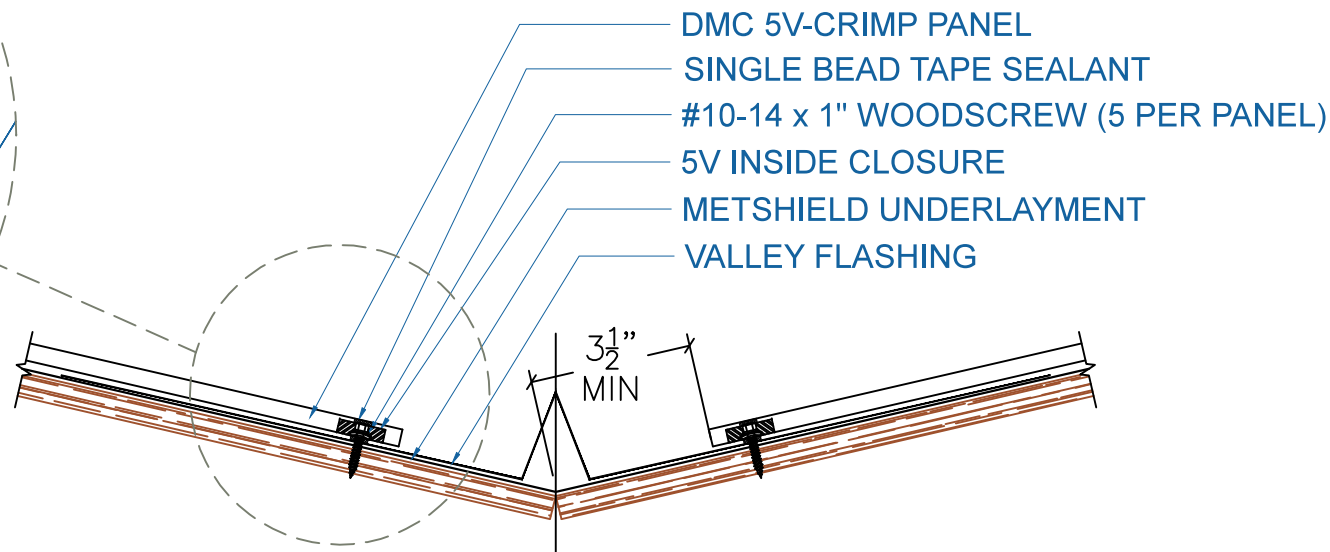


DMC 5V - OSB

ZOOMED IN VIEW



NTS



NOTE:

- 1.) LAPS IN VALLEY ARE 12" MIN. DREXEL METALS APPROVED TUBE SEALANT IN ALL LAPS IN VALLEY. TWO ROWS OF SEALANT BETWEEN VALLEY LAPS, 4" UP FROM LAP.
- 2.) LARGE ROOF AREAS MAY REQUIRE A LARGER GAP BETWEEN PANEL AND DIVERTER TO ALLOW FOR STORM WATER RUN OFF.

EFFECTIVE DATE:10-30-14
SUBJECT TO CHANGE WITHOUT NOTICE

VALLEY
SCALE: 3" = 1'-0"

Drexel Metals
Roofing Systems + Custom Fabrication

