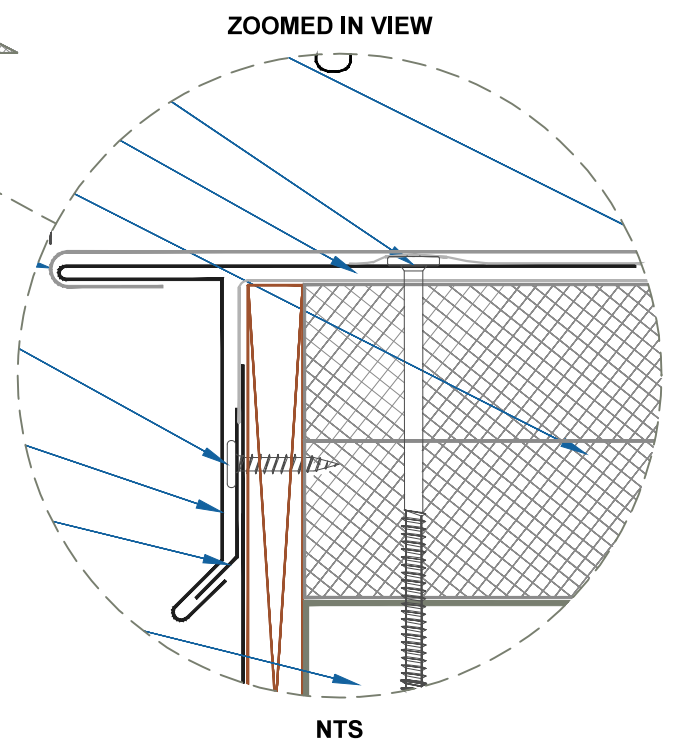
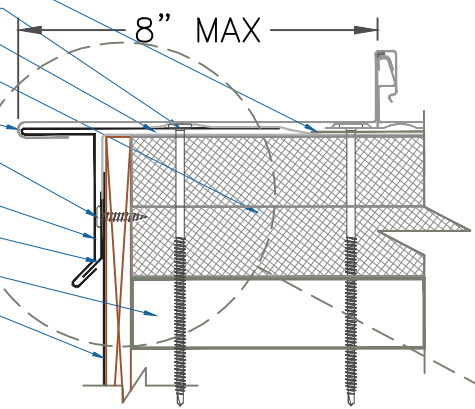


DMC 550S - ISO w/ METAL DECK

- 3"x3" - 18GA BEARING PLATE
- #14 - 13 x ?" PHDD (12" o.c.)
- METSHIELD UNDERLAYMENT
- ISO INSULATION
- DMC 550S PANEL (FIELD CUT AND BEND)
- #10 - 13 x 1" PHW (12" o.c.)
- DRIP EDGE FLASHING
- CLEAT FLASHING
- METAL DECK
- FASCIA FLASHING



GABLE ALTERNATE / CURVED

EFFECTIVE DATE: 02-19-2016
SUBJECT TO CHANGE WITHOUT NOTICE

SCALE: 3" = 1'-0"

