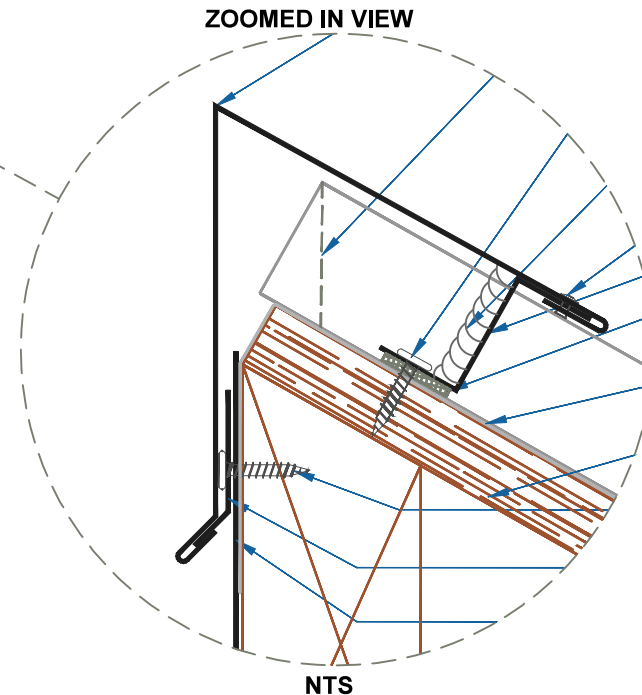
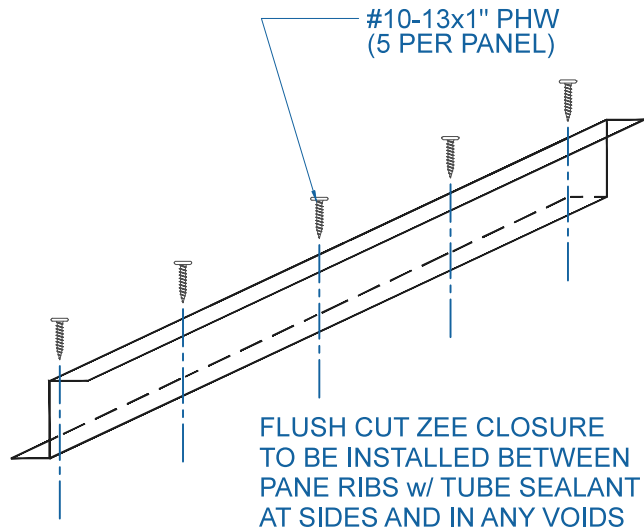
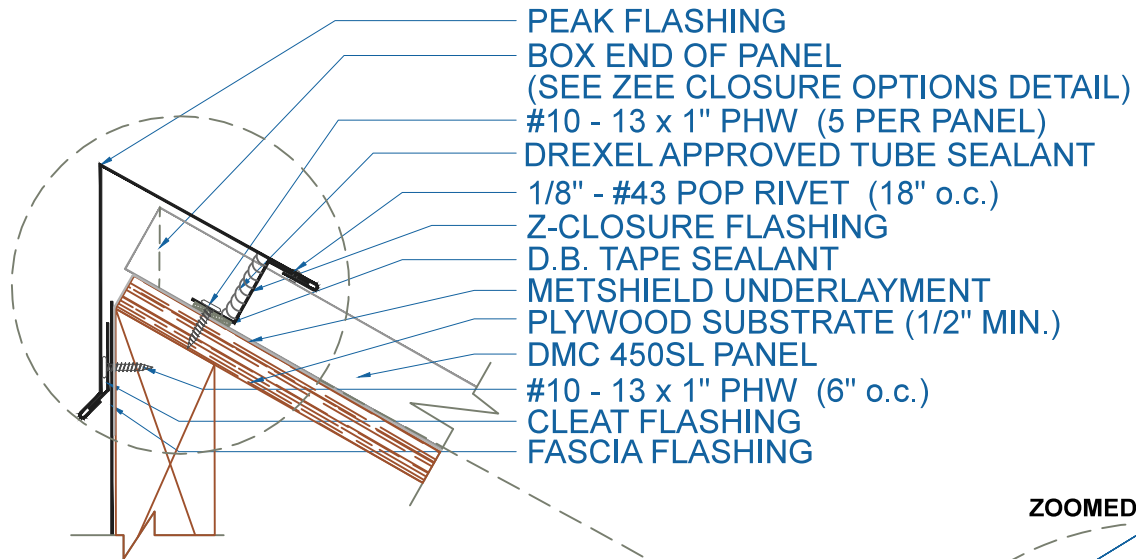


DMC 450SL - PLYWOOD



EFFECTIVE DATE: 01-06-14
 SUBJECT TO CHANGE WITHOUT NOTICE

PEAK
 SCALE: 3" = 1'-0"

Drexel Metals
 Roofing Systems + Custom Fabrication

