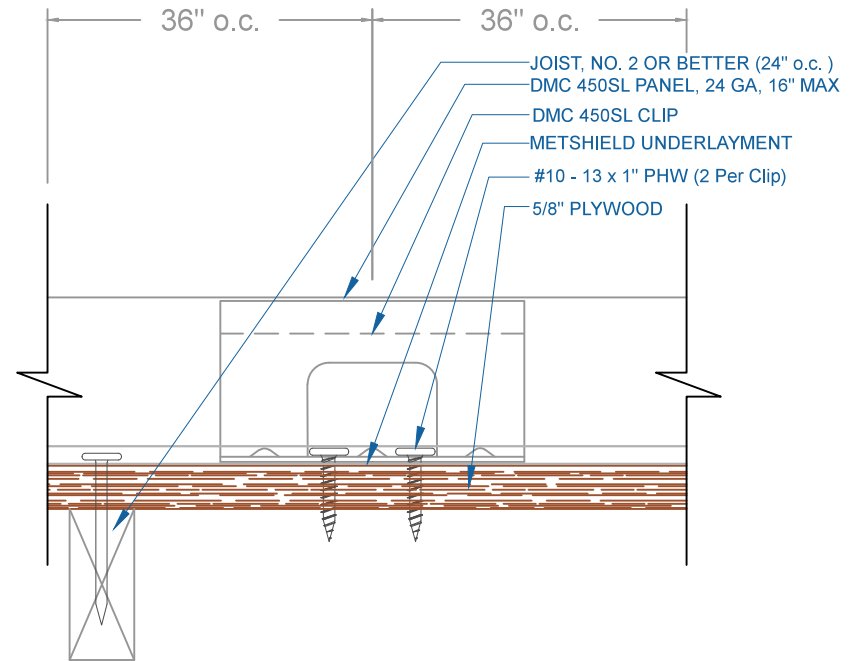
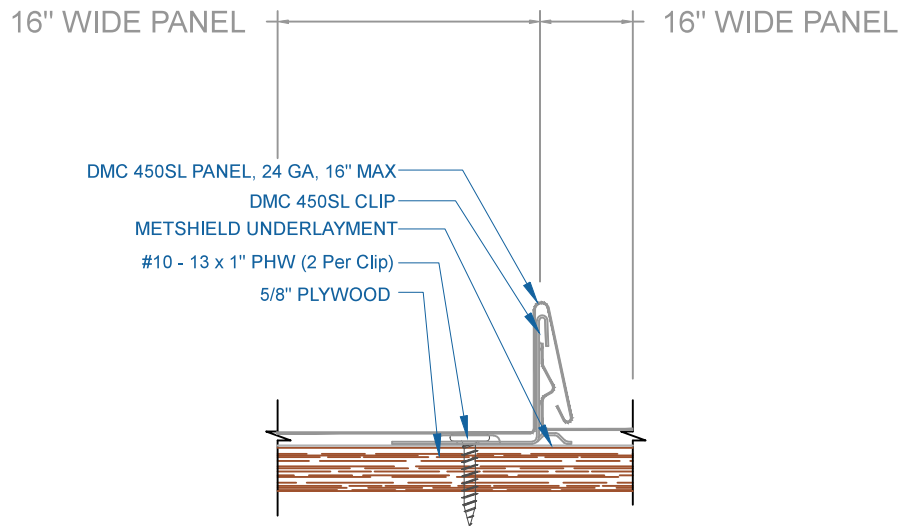


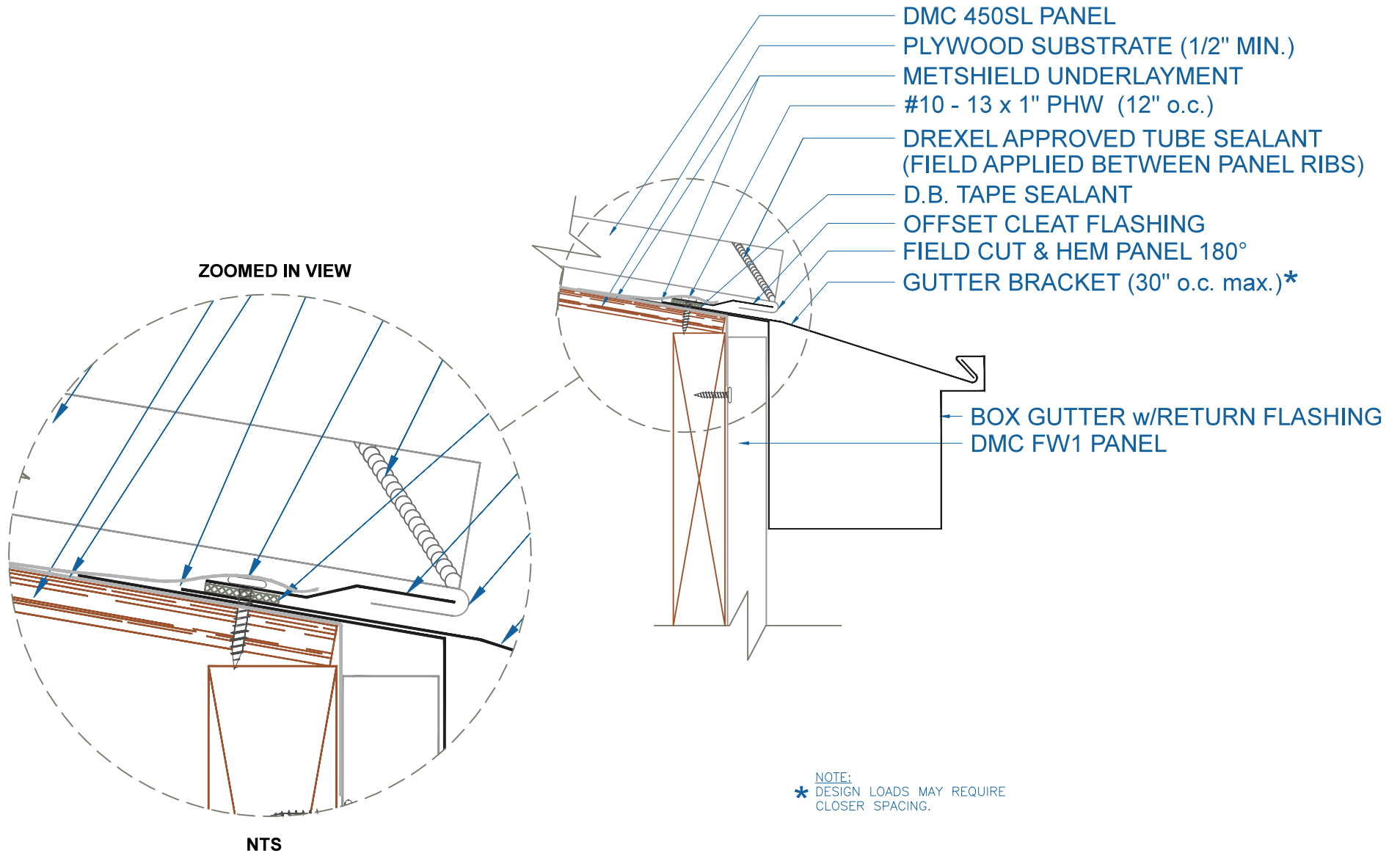
# DMC 450SL - SOLID SUBSTRATE



## INSTALLATION

SCALE: NTS  
EFFECTIVE DATE: 09-13-13

# DMC 450SL - PLYWOOD

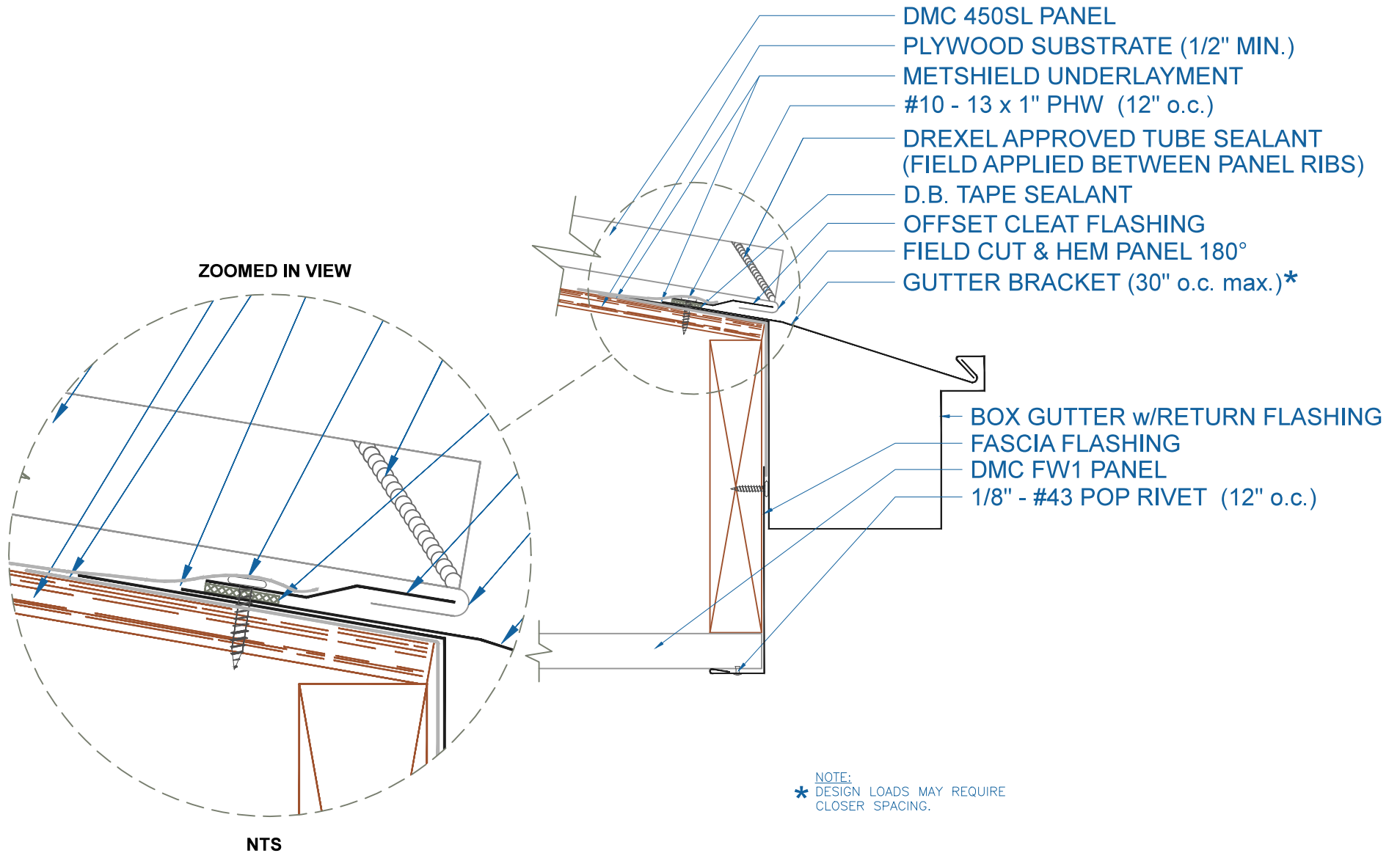


## BOX GUTTER - w/RETURN w/FLUSH PANEL

EFFECTIVE DATE: 01-06-2014  
SUBJECT TO CHANGE WITHOUT NOTICE

SCALE: 3" = 1'-0"

# DMC 450SL - PLYWOOD



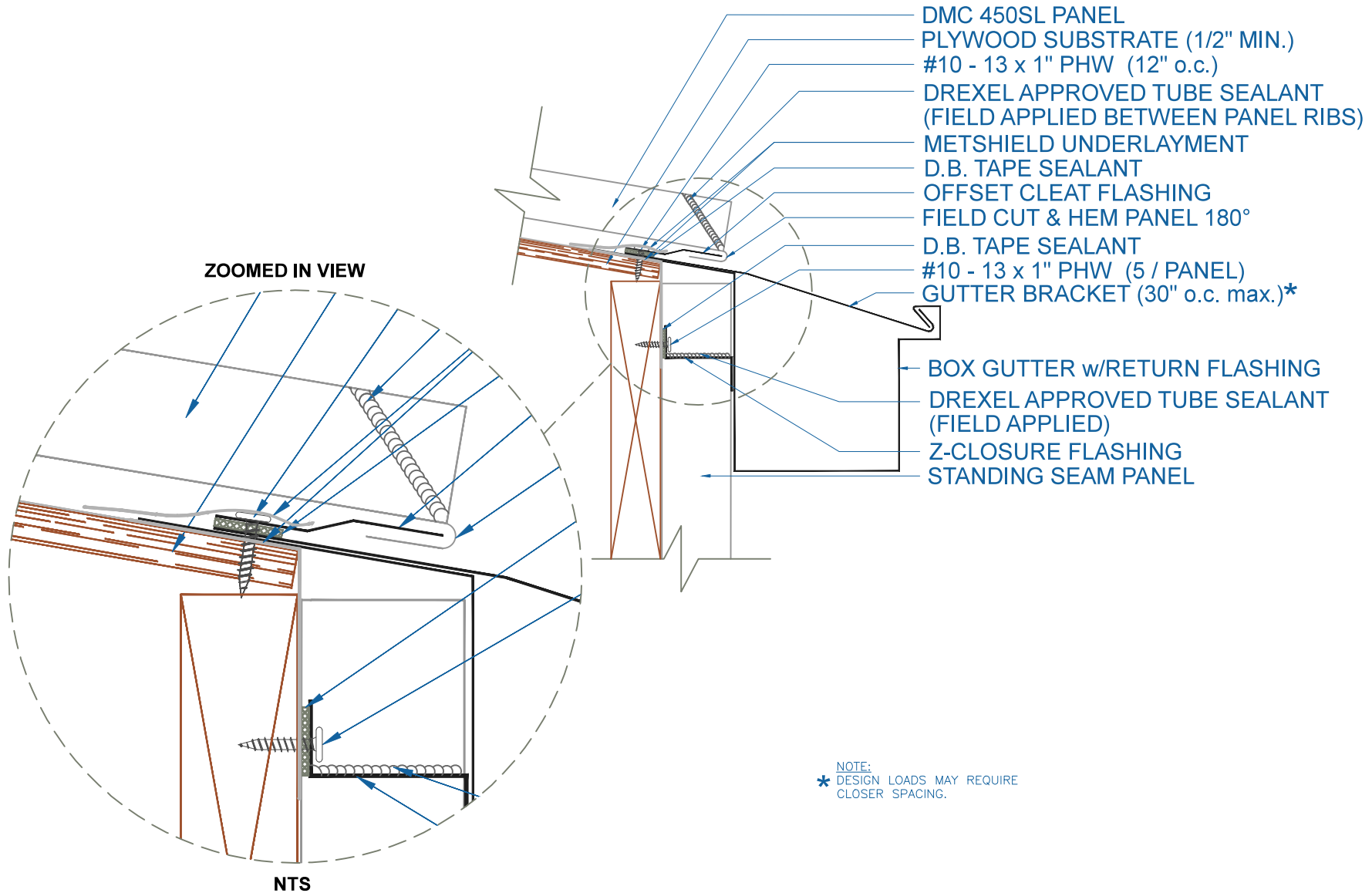
## **BOX GUTTER - w/RETURN** **w/SOFFIT**

EFFECTIVE DATE: 01-06-14  
SUBJECT TO CHANGE WITHOUT NOTICE

SCALE: 3" = 1'-0"



# DMC 450SL - PLYWOOD



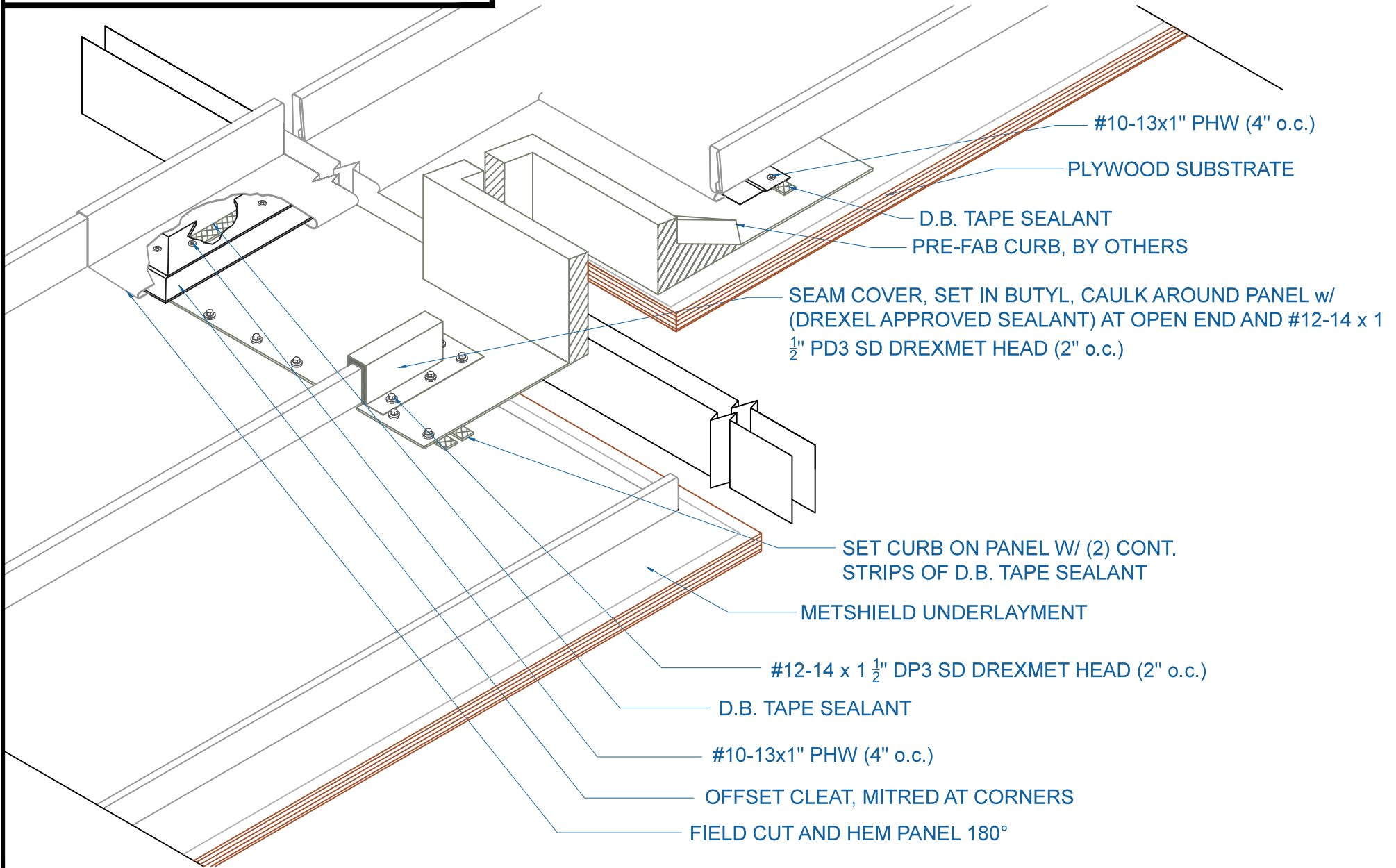
## BOX GUTTER w/RETURN w/STANDING SEAM PANEL

SCALE: 3" = 1'-0"

EFFECTIVE DATE: 01-06-14  
SUBJECT TO CHANGE WITHOUT NOTICE



# DMC 450SL - PLYWOOD



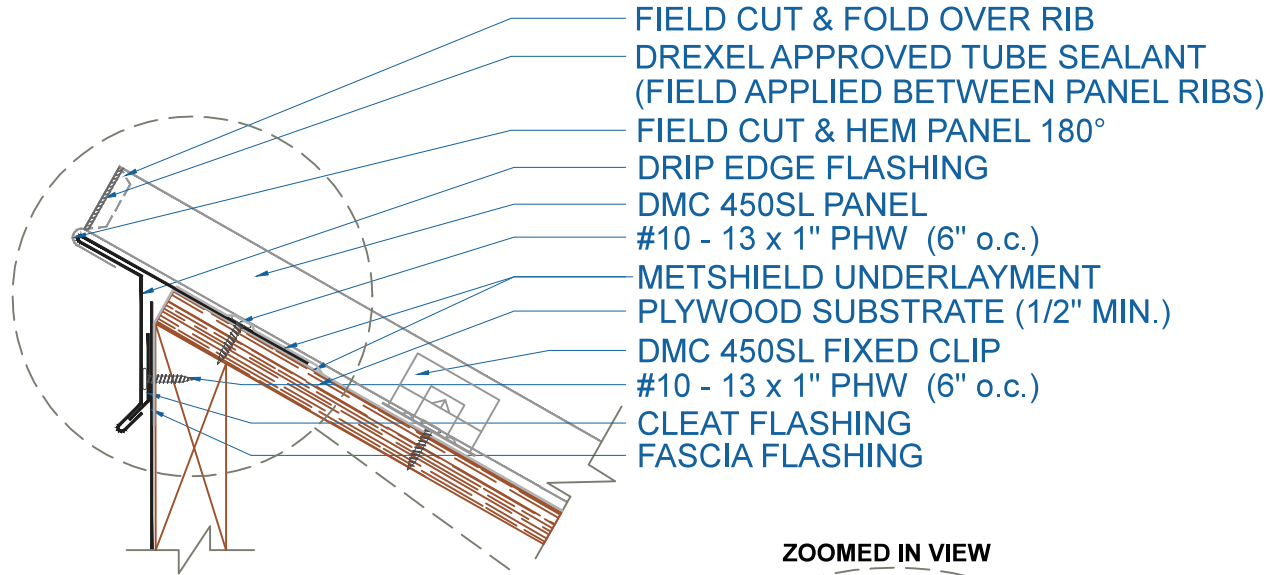
EFFECTIVE DATE: 01-06-2014  
SUBJECT TO CHANGE WITHOUT NOTICE

## CURB DETAIL

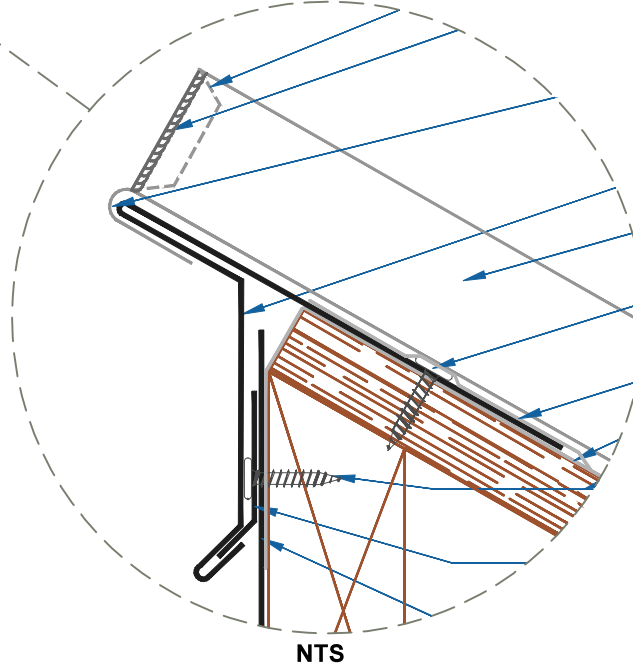
SCALE: NTS



# DMC 450SL - PLYWOOD



ZOOMED IN VIEW

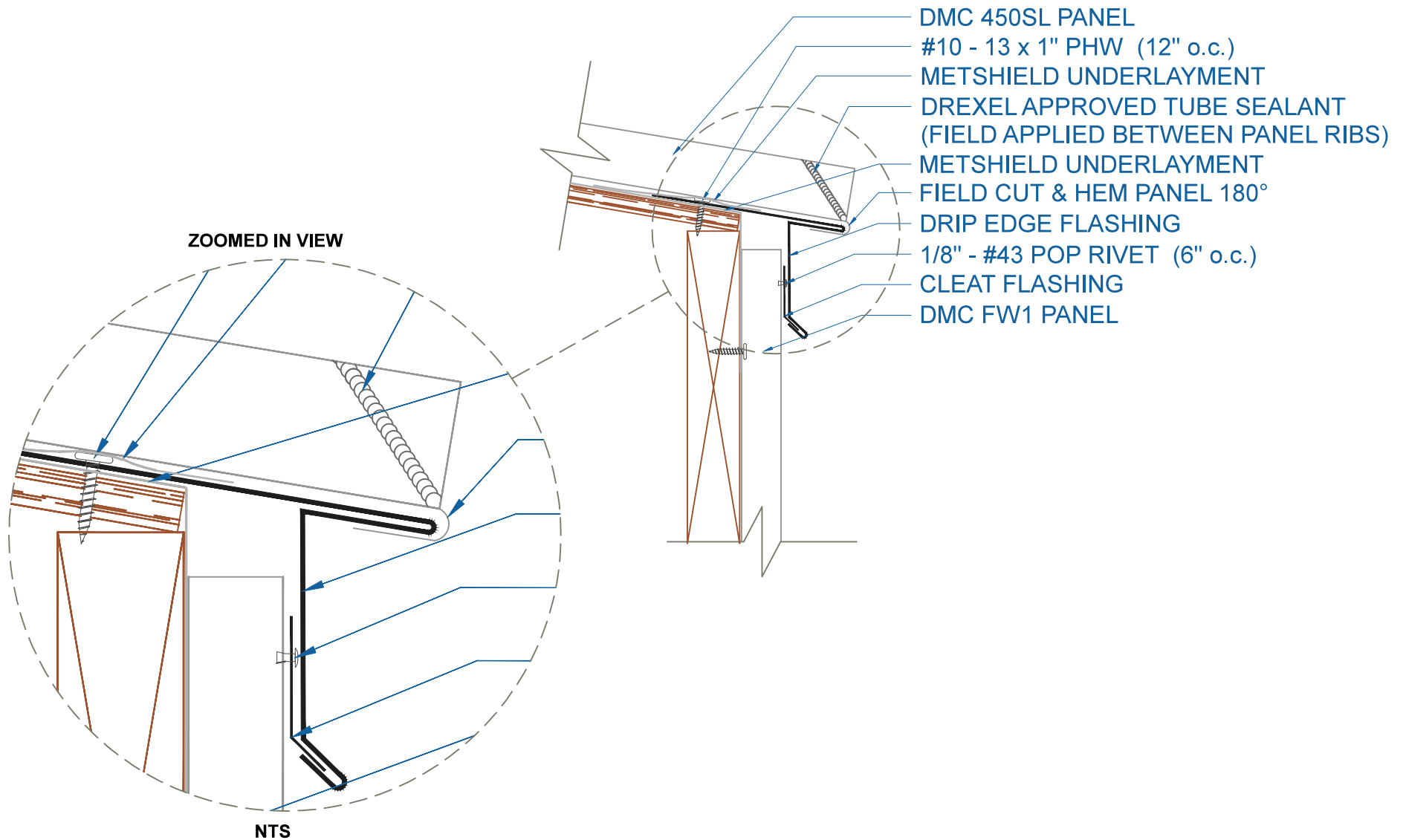


## DRIP EDGE PEAK

SCALE: 3" = 1'-0"

EFFECTIVE DATE: 01-06-14  
SUBJECT TO CHANGE WITHOUT NOTICE

# DMC 450SL - PLYWOOD



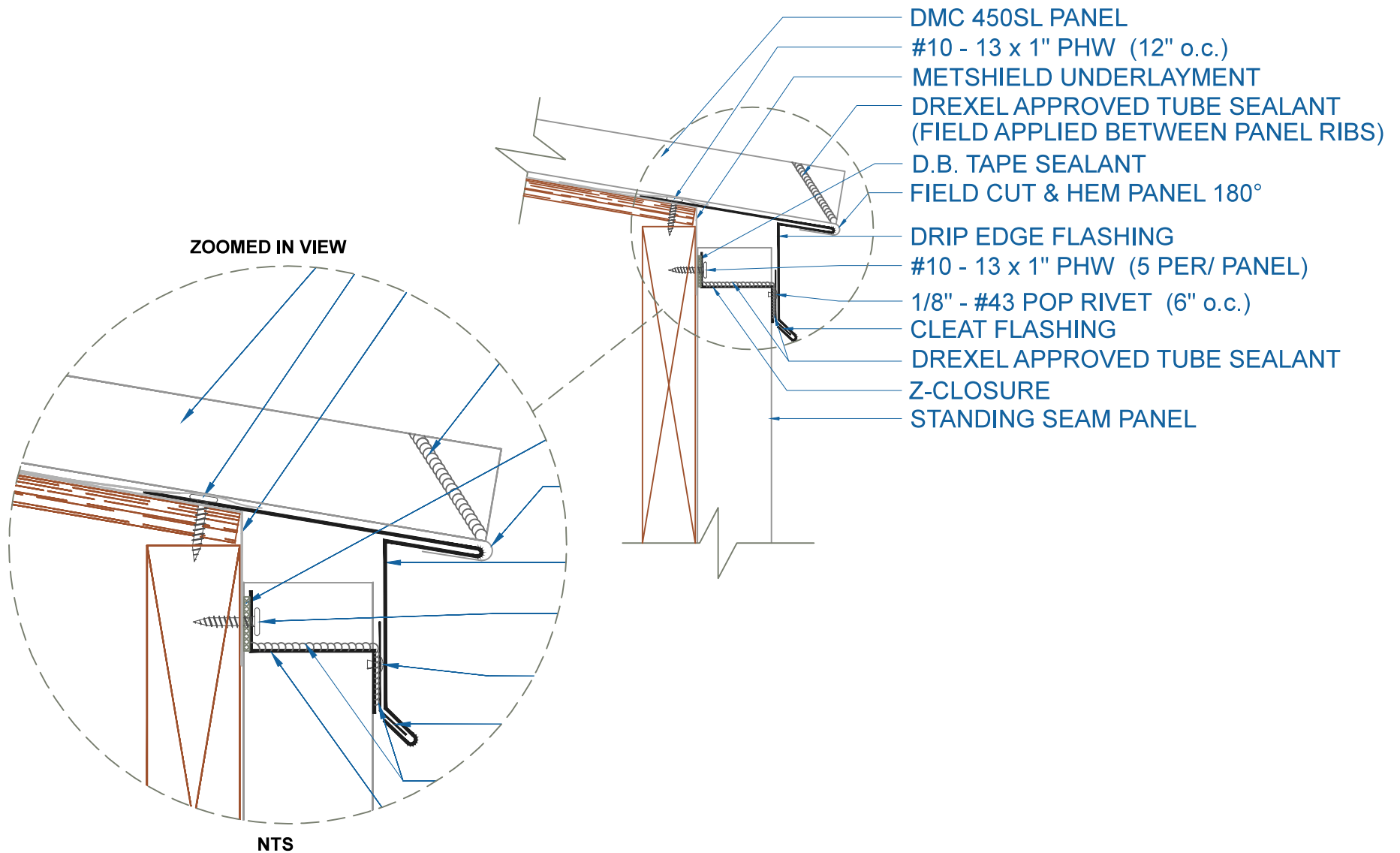
## DRIP EDGE w/FLUSH PANEL

SCALE: 3" = 1'-0"

EFFECTIVE DATE: 01-06-14  
SUBJECT TO CHANGE WITHOUT NOTICE



# DMC 450SL - PLYWOOD



## DRIP EDGE w/STANDING SEAM PANEL

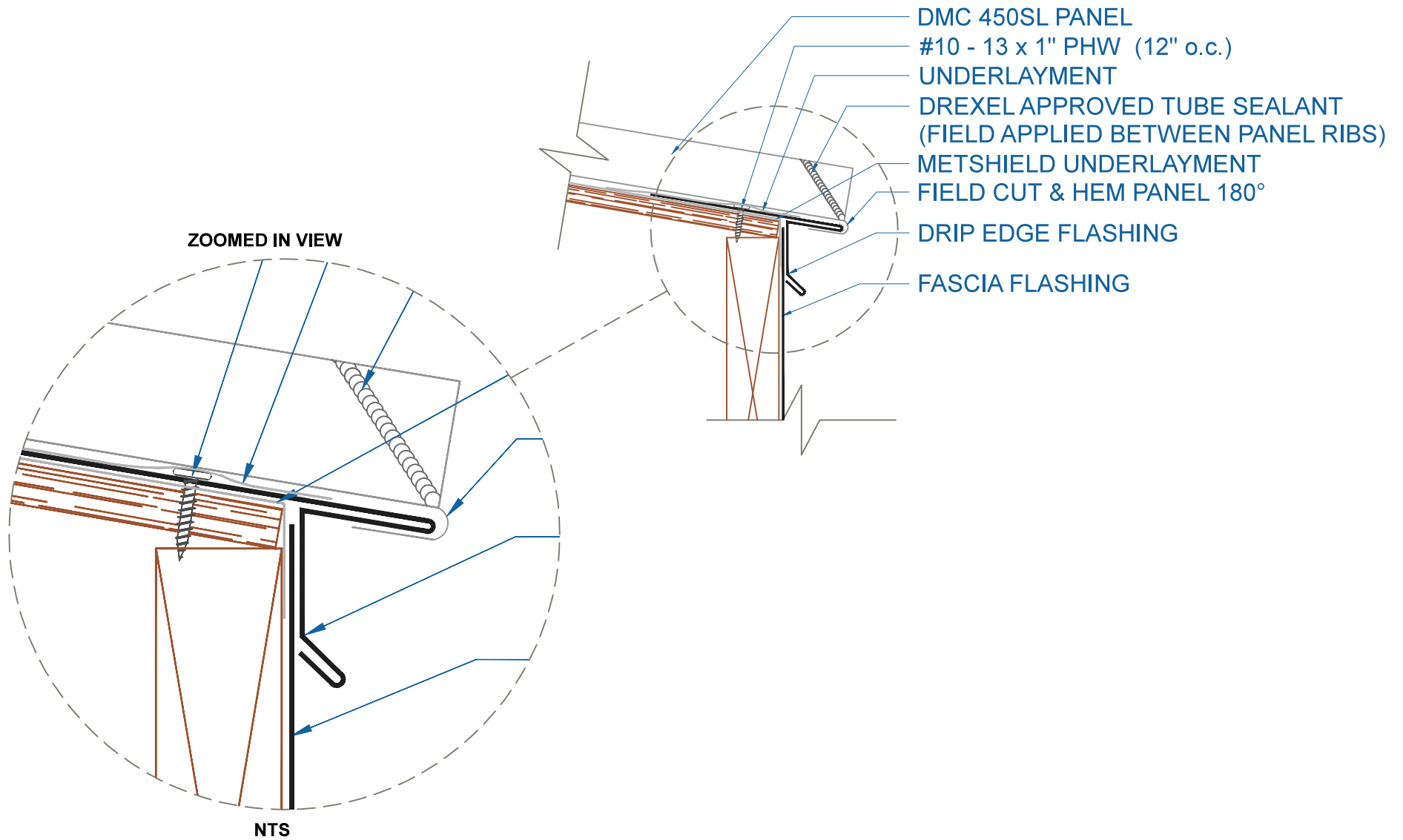
EFFECTIVE DATE: 01-06-14  
SUBJECT TO CHANGE WITHOUT NOTICE

SCALE: 3" = 1'-0"





# DMC 450SL - PLYWOOD



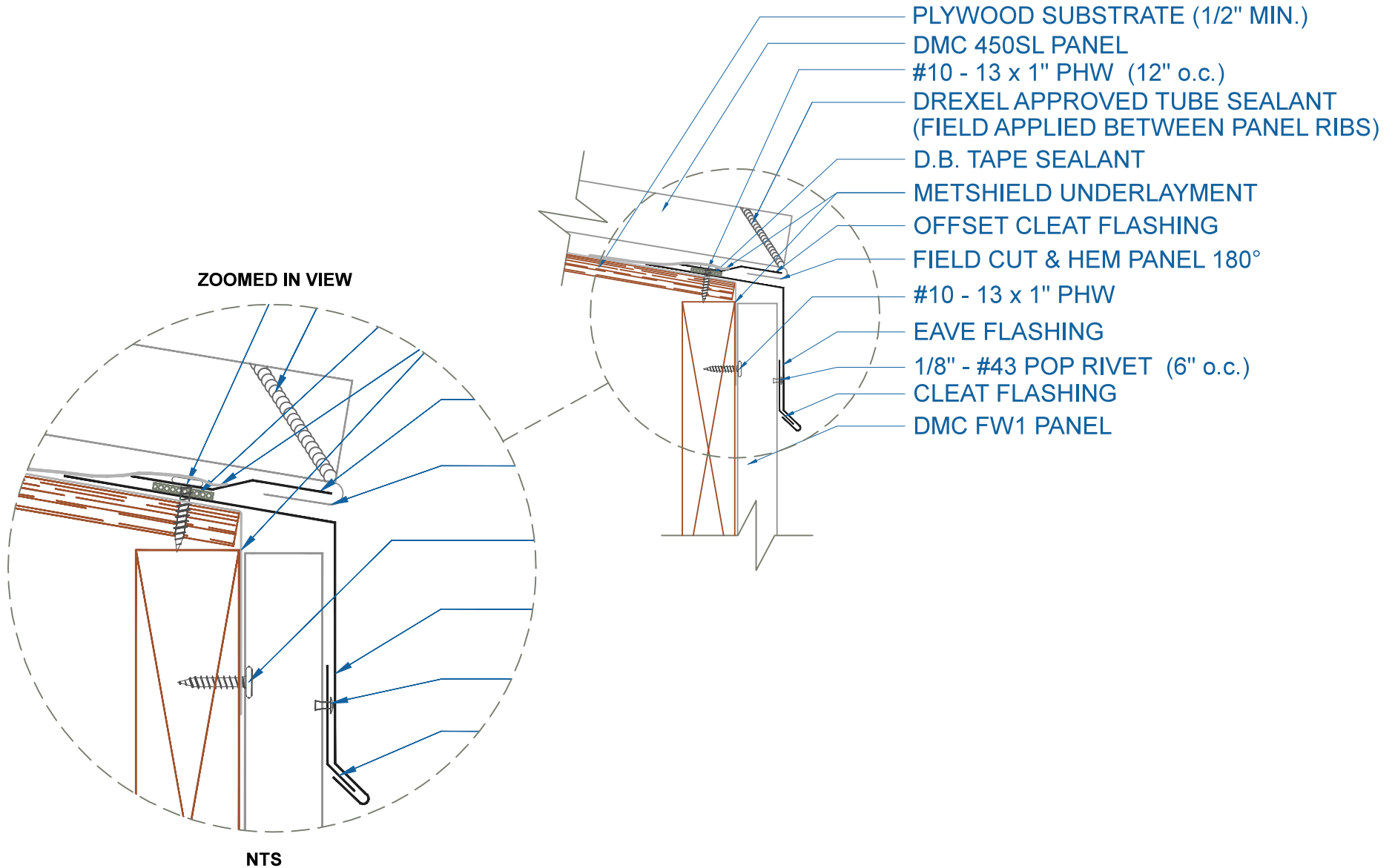
EFFECTIVE DATE: 01-06-14  
SUBJECT TO CHANGE WITHOUT NOTICE

## DRIP EDGE

SCALE: 3" = 1'-0"



# DMC 450SL - PLYWOOD



EFFECTIVE DATE: 01-06-14  
SUBJECT TO CHANGE WITHOUT NOTICE

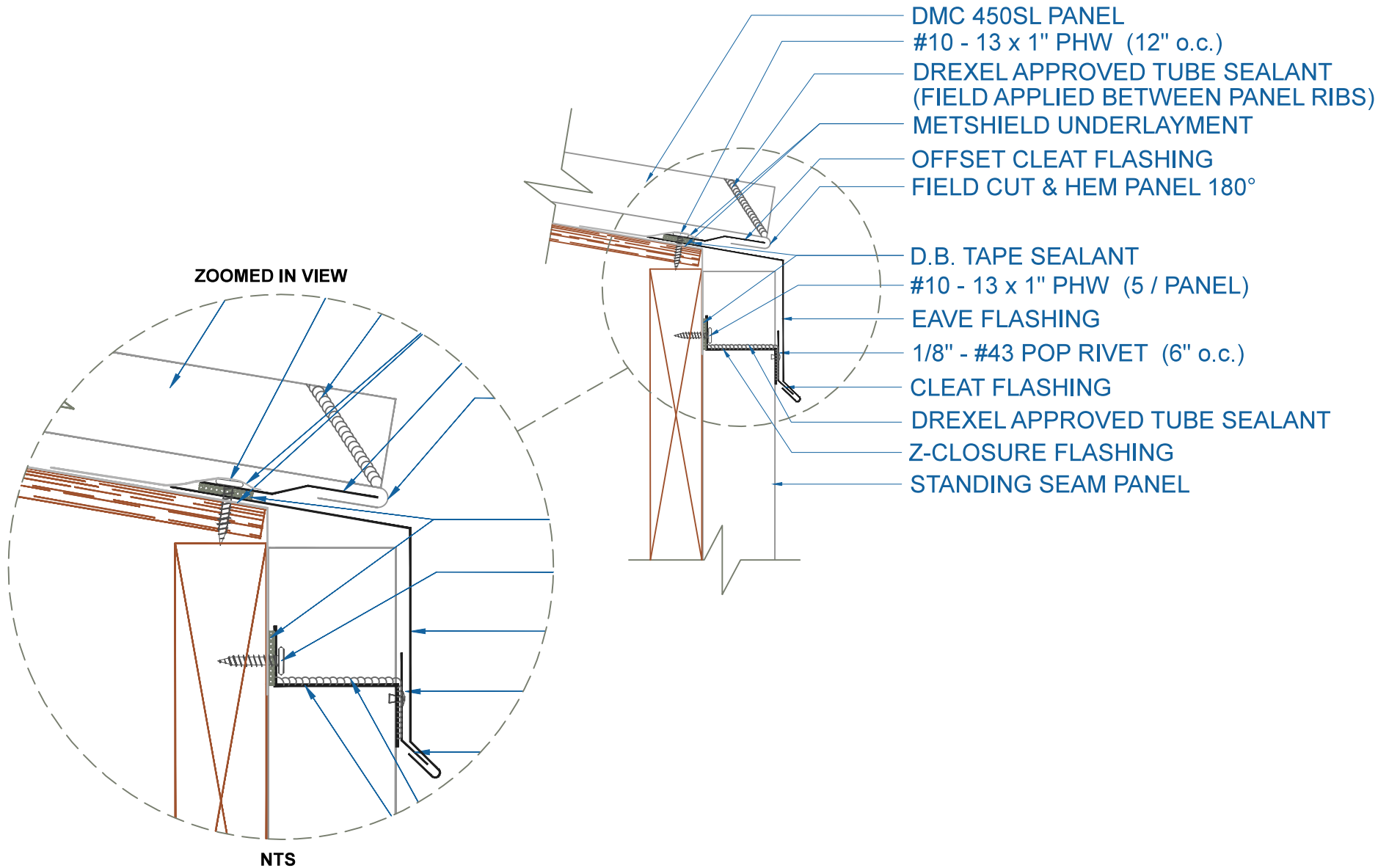
## EAVE w/FLUSH PANEL

SCALE: 3" = 1'-0"

**Drexel Metals**  
Roofing Systems + Custom Fabrication



# DMC 450SL - PLYWOOD



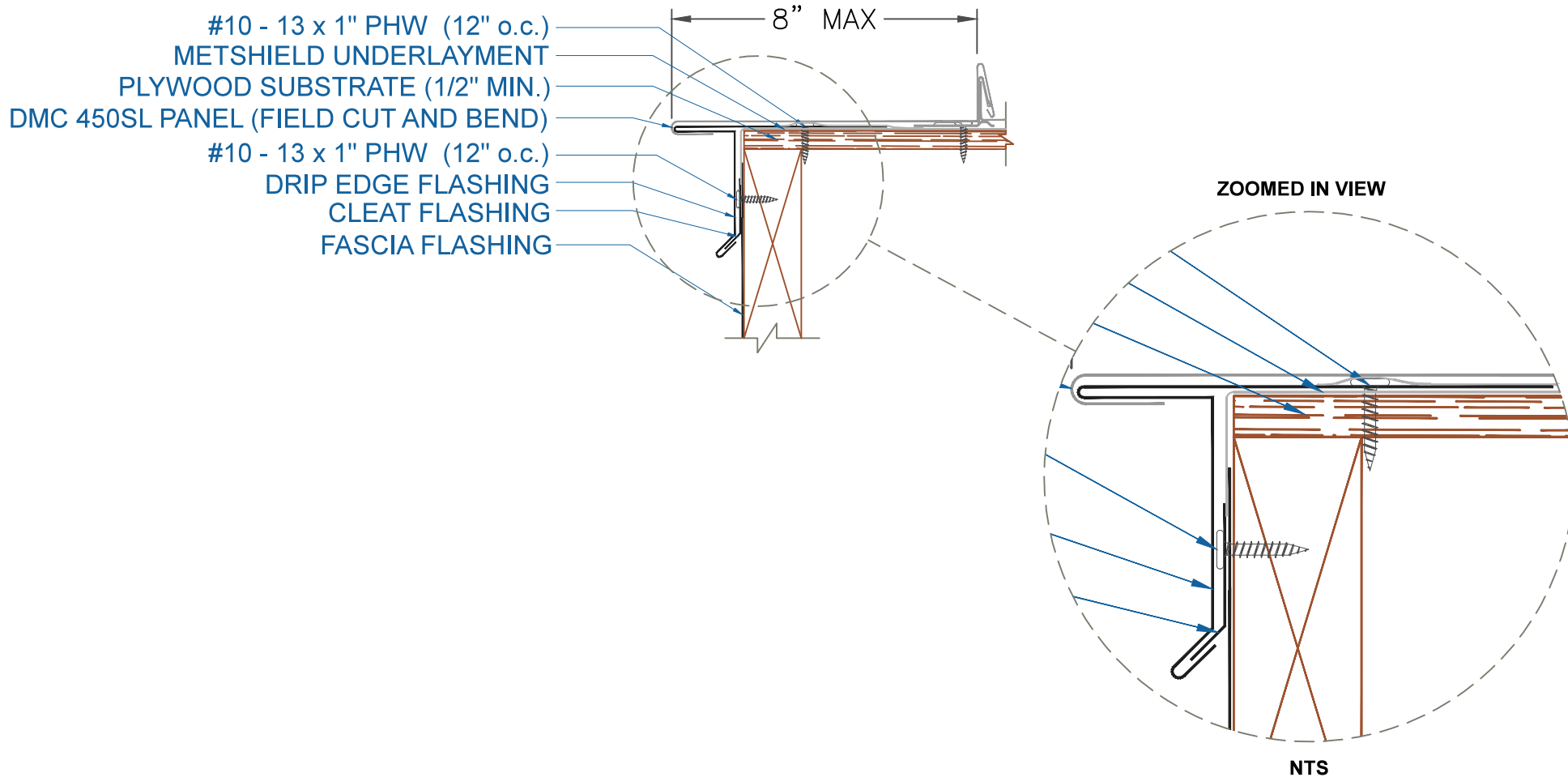
## EAVE w/STANDING SEAM PANEL

EFFECTIVE DATE: 01-06-14  
SUBJECT TO CHANGE WITHOUT NOTICE

SCALE: 3" = 1'-0"



# DMC 450SL - PLYWOOD



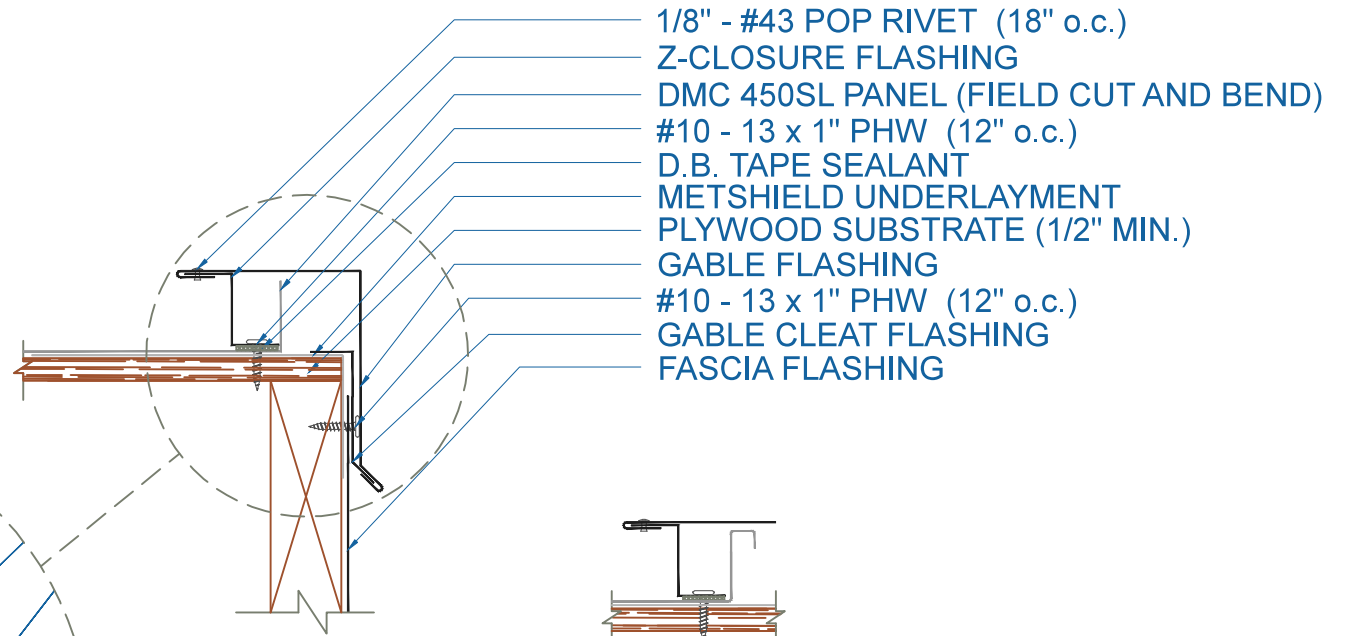
## GABLE ALTERNATE / CURVED

SCALE: 3" = 1'-0"

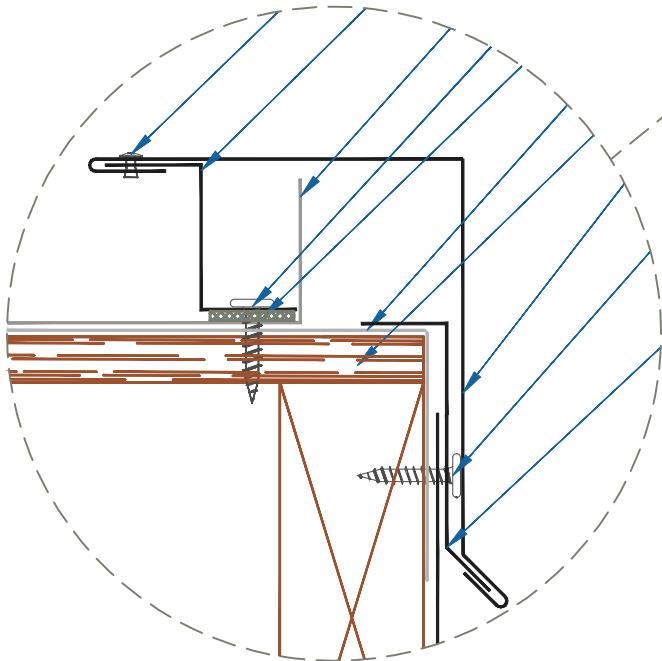
EFFECTIVE DATE: 01-06-14  
SUBJECT TO CHANGE WITHOUT NOTICE



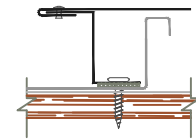
# DMC 450SL - PLYWOOD



ZOOMED IN VIEW



NTS



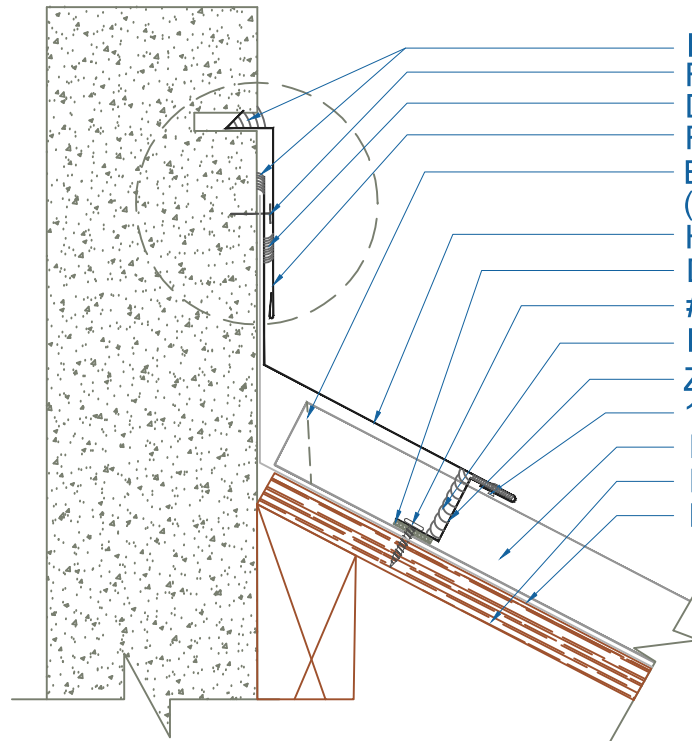
ON MODULE

EFFECTIVE DATE: 01-06-14  
 SUBJECT TO CHANGE WITHOUT NOTICE

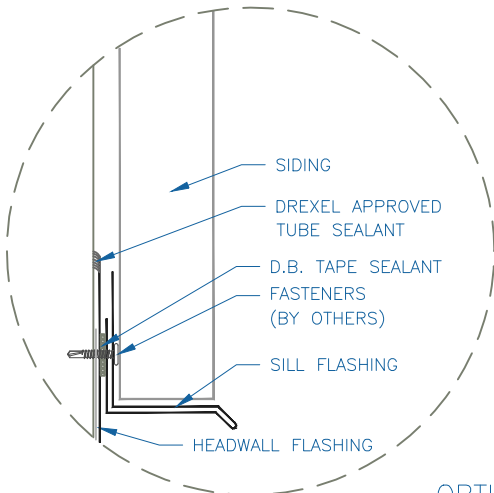
**GABLE**

SCALE: 3" = 1'-0"

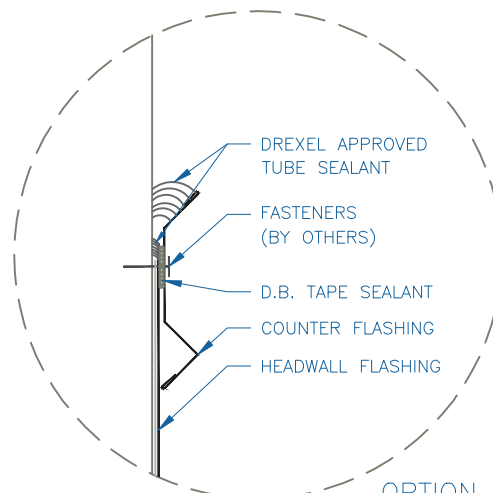
# DMC 450SL - PLYWOOD



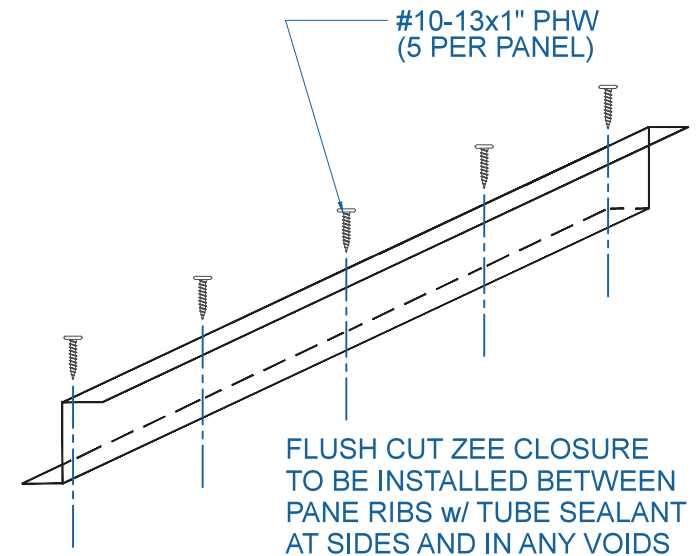
- DREXEL APPROVED TUBE SEALANT
- FASTENERS (BY OTHERS)
- DREXEL APPROVED TUBE SEALANT
- REGLET FLASHING
- BOX END OF PANEL  
(SEE ZEE CLOSURE OPTIONS DETAIL)
- HEADWALL FLASHING
- D.B. TAPE SEALANT
- #10 - 13 x 1" PHW (5 PER PANEL)
- DREXEL APPROVED TUBE SEALANT
- Z-CLOSURE FLASHING
- 1/8" - #43 POP RIVET (18" o.c.)
- DMC 450SL PANEL
- PLYWOOD SUBSTRATE (1/2" MIN.)
- METSHIELD UNDERLAYMENT



OPTION 1



OPTION 2



#10-13x1" PHW  
(5 PER PANEL)

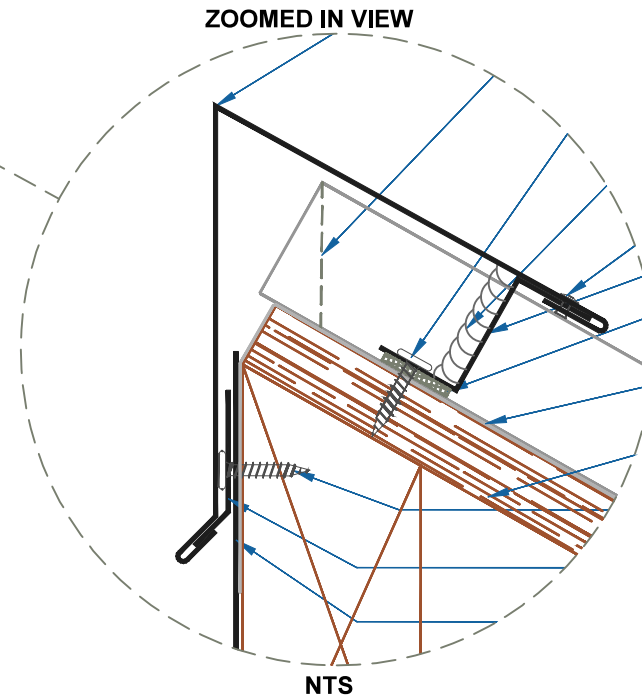
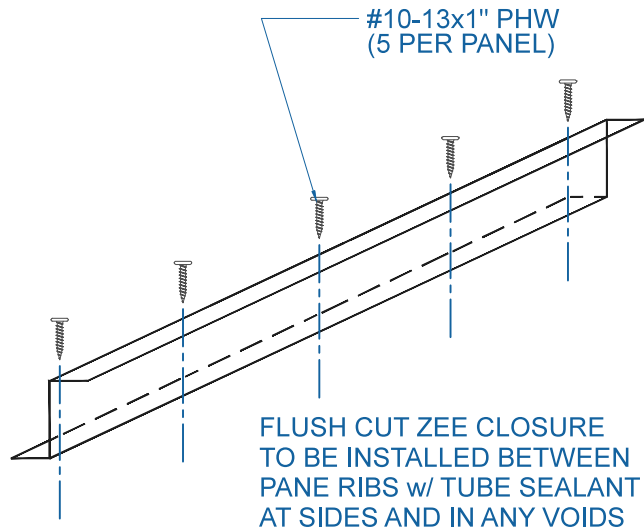
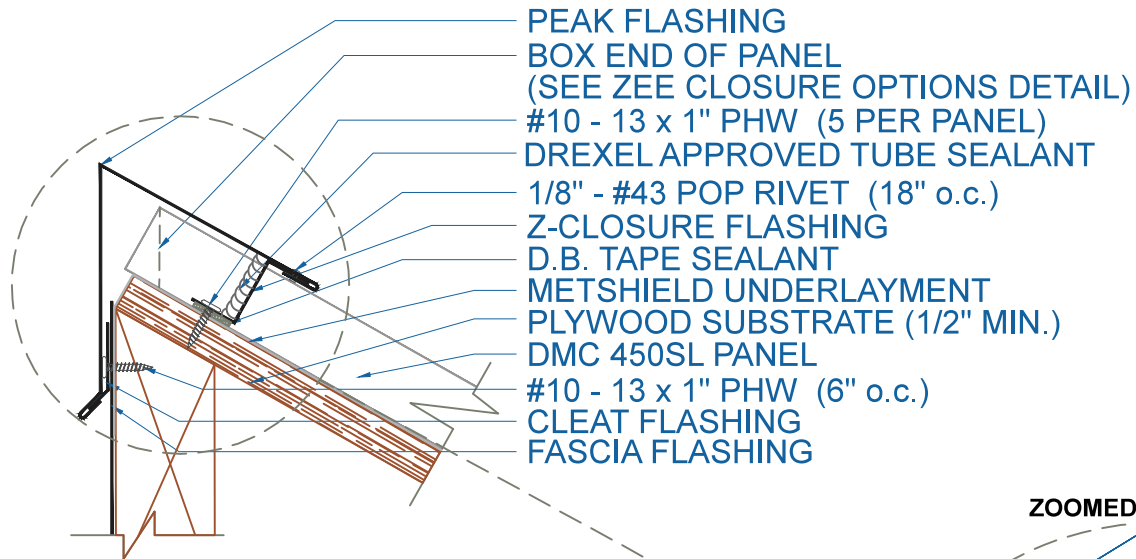
FLUSH CUT ZEE CLOSURE  
TO BE INSTALLED BETWEEN  
PANE RIBS w/ TUBE SEALANT  
AT SIDES AND IN ANY VOIDS

EFFECTIVE DATE: 01-06-14  
SUBJECT TO CHANGE WITHOUT NOTICE

## HEADWALL

SCALE: 3" = 1'-0"

# DMC 450SL - PLYWOOD



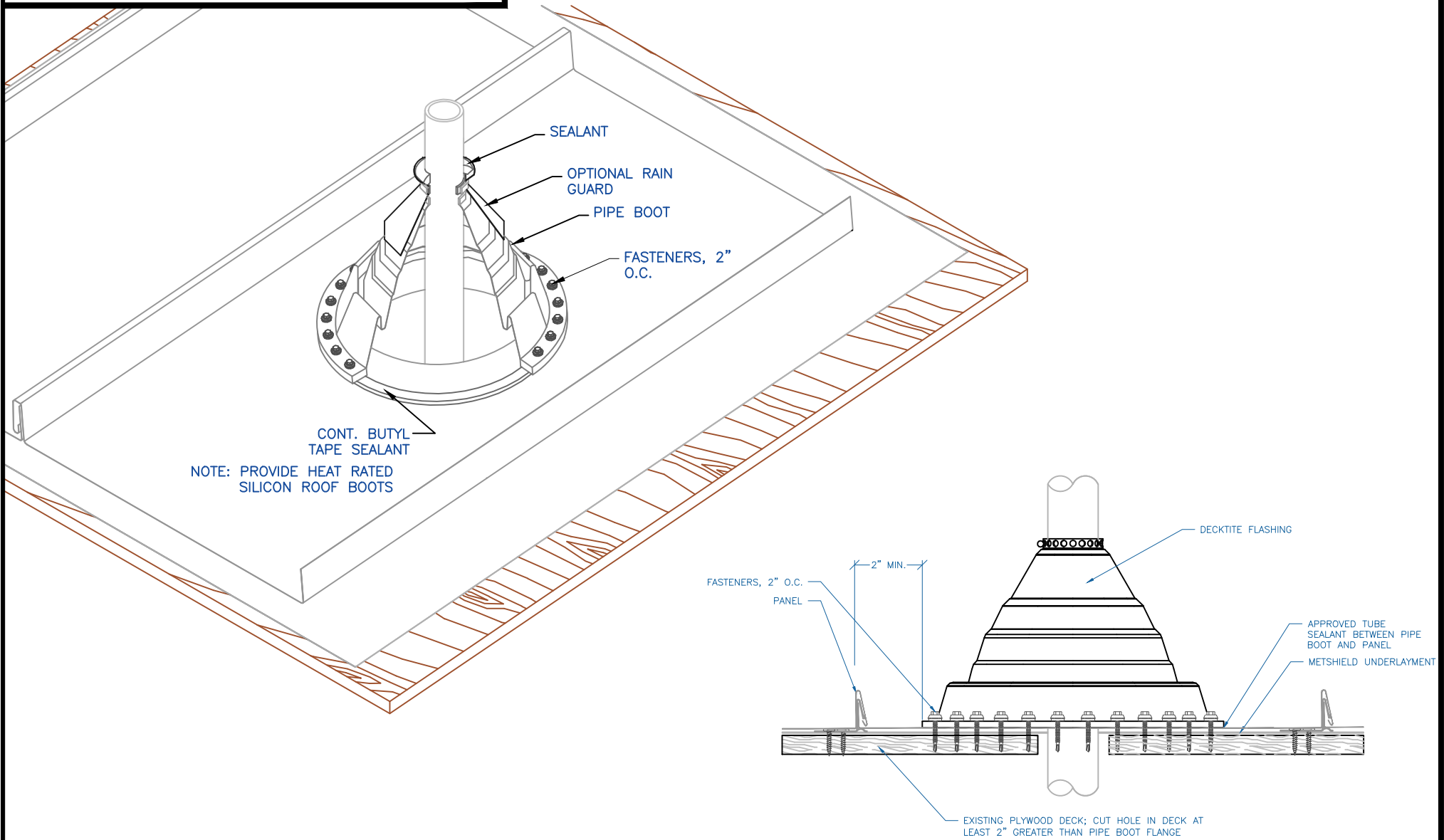
EFFECTIVE DATE: 01-06-14  
 SUBJECT TO CHANGE WITHOUT NOTICE

**PEAK**  
 SCALE: 3" = 1'-0"

**Drexel Metals**  
 Roofing Systems + Custom Fabrication



# DMC 450SL - PLYWOOD



EFFECTIVE DATE: 01-06-2014  
SUBJECT TO CHANGE WITHOUT NOTICE

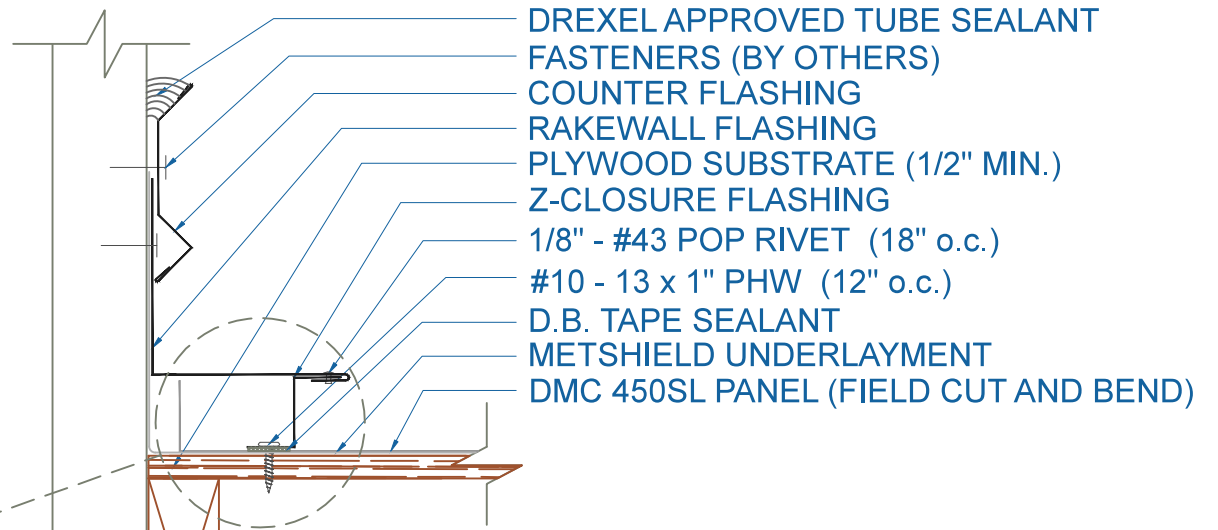
## PIPE FLASHING DETAIL

SCALE: NTS

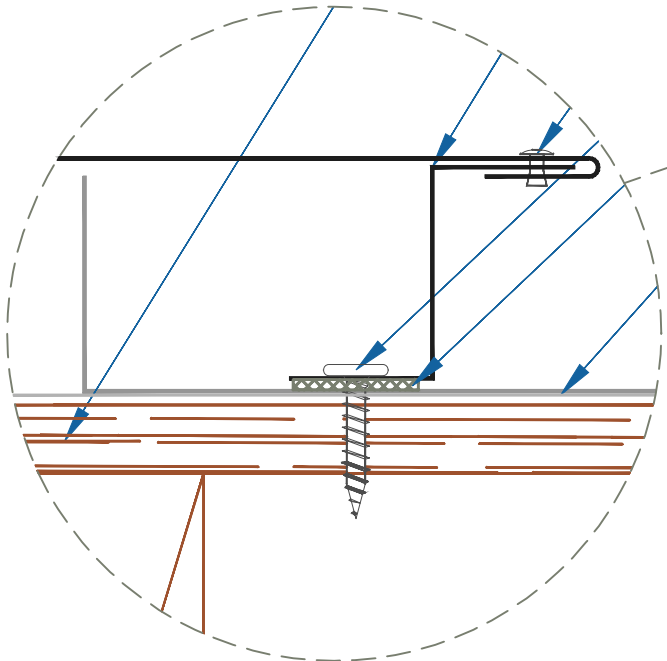




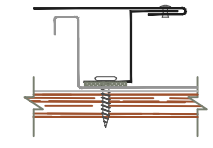
# DMC 450SL - PLYWOOD



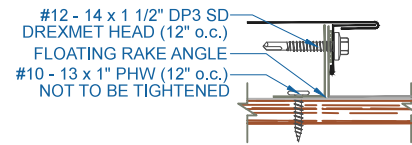
ZOOMED IN VIEW



NTS



ON MODULE



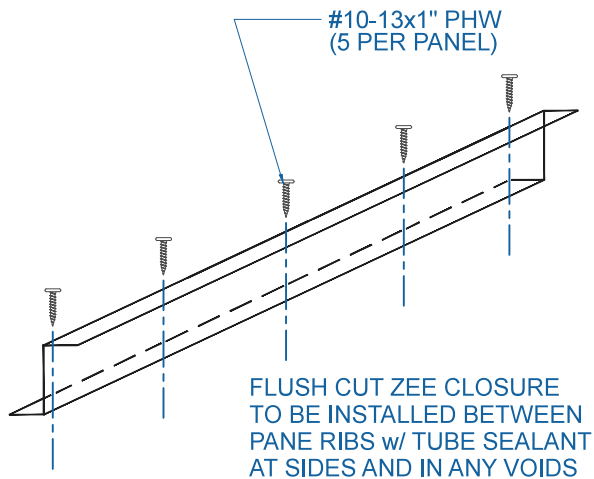
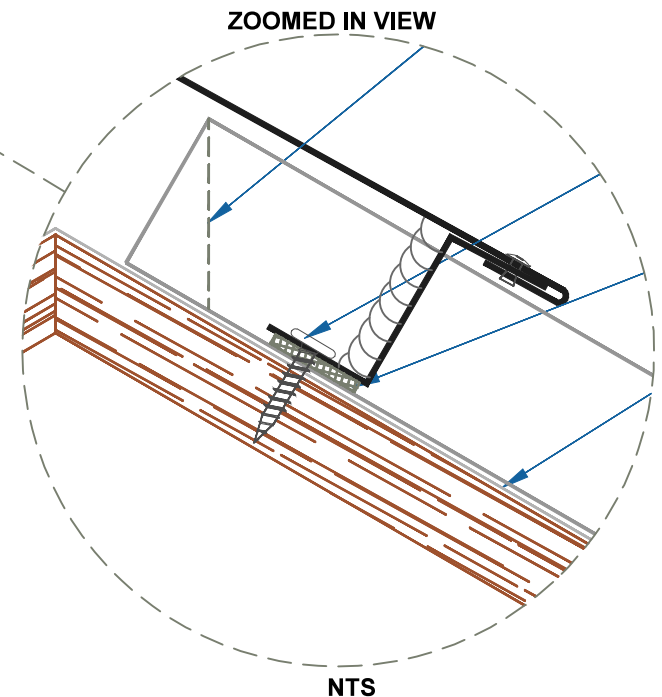
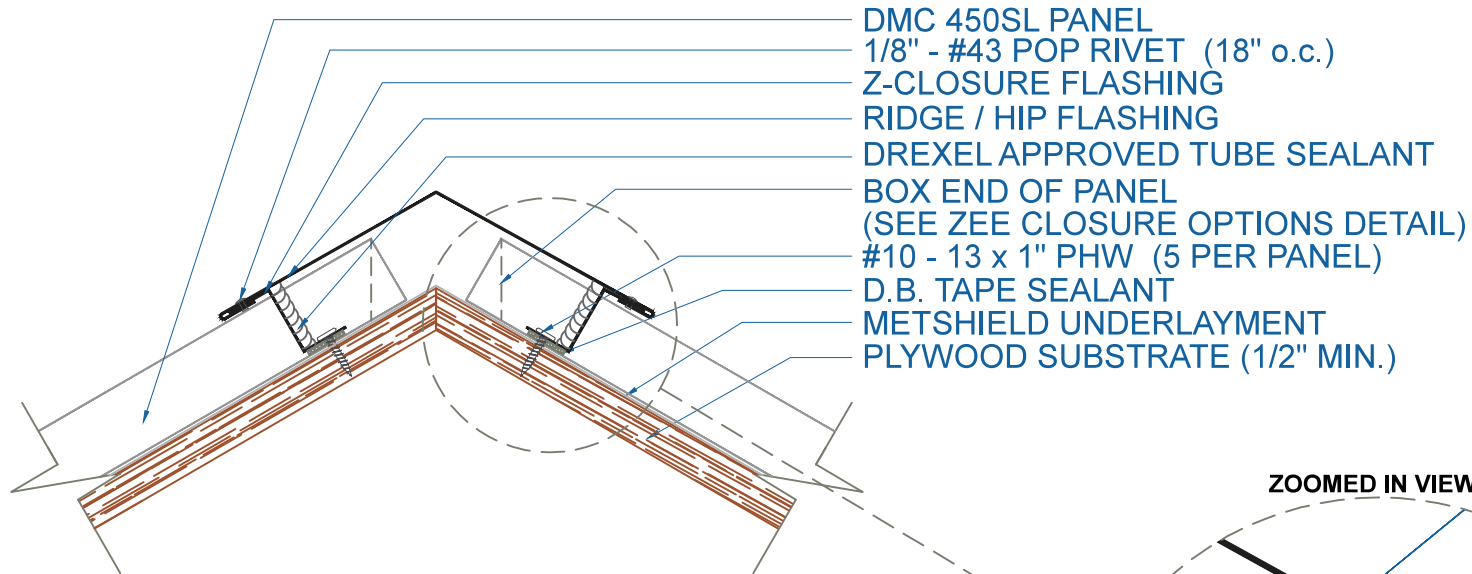
FLOATING RAKEWALL

EFFECTIVE DATE: 01-06-14  
 SUBJECT TO CHANGE WITHOUT NOTICE

## RAKEWALL

SCALE: 3" = 1'-0"

# DMC 450SL - PLYWOOD



EFFECTIVE DATE: 01-06-14  
SUBJECT TO CHANGE WITHOUT NOTICE

## RIDGE / HIP

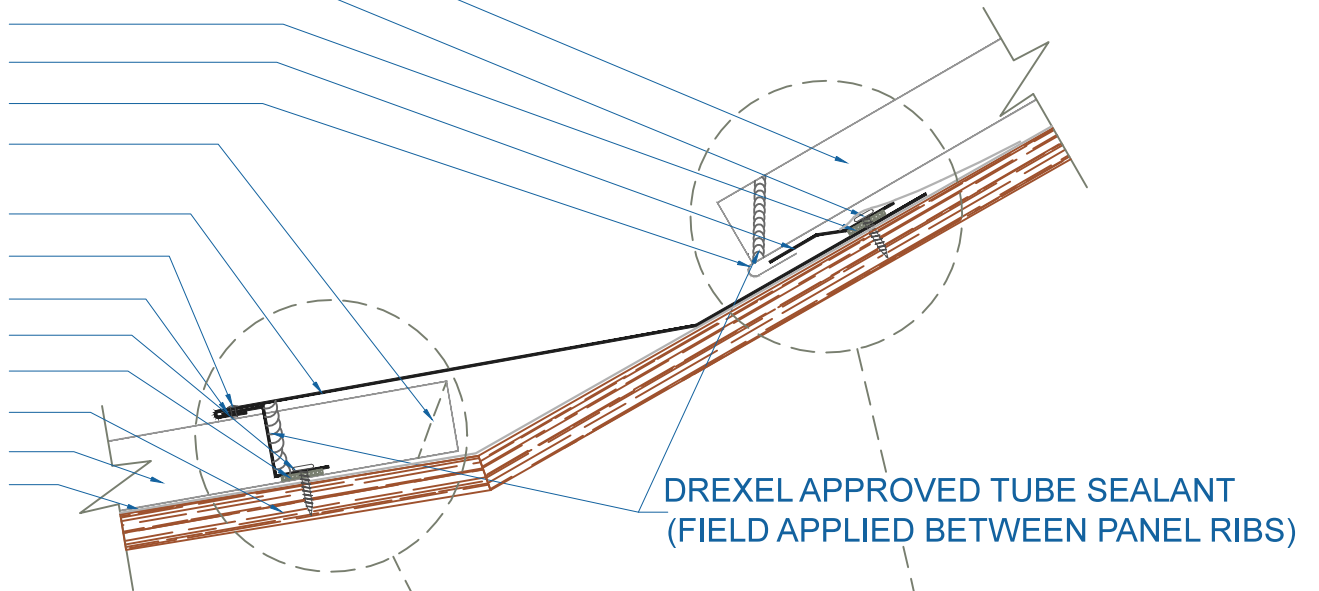
SCALE: 3" = 1'-0"

**DrexelMetals**  
Roofing Systems + Custom Fabrication



# DMC 450SL - PLYWOOD

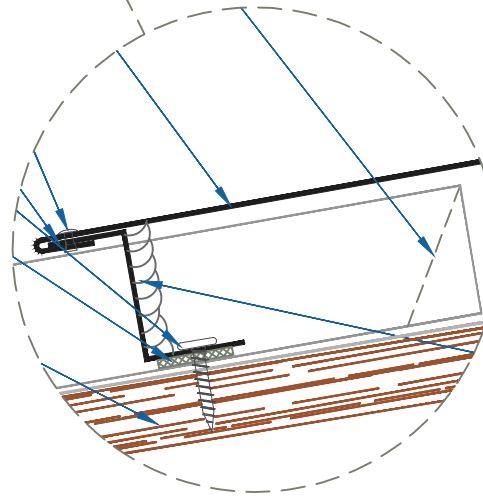
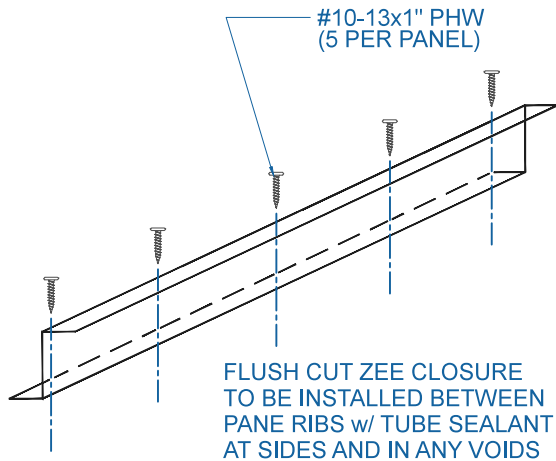
- DMC 450SL PANEL
- #10 - 13 x 1" PHW (12" o.c.)
- D.B. TAPE SEALANT
- OFFSET CLEAT FLASHING
- FIELD CUT & HEM PANEL 180°
- BOX END OF PANEL  
(SEE ZEE CLOSURE OPTIONS DETAIL)
- TRANSITION FLASHING
- 1/8" - #43 POP RIVET (18" o.c.)
- Z-CLOSURE
- #10 - 13 x 1" PHW (5 PER PANEL)
- D.B. TAPE SEALANT
- PLYWOOD SUBSTRATE (1/2" MIN.)
- DMC 450SL PANEL
- METSHIELD UNDERLAYMENT



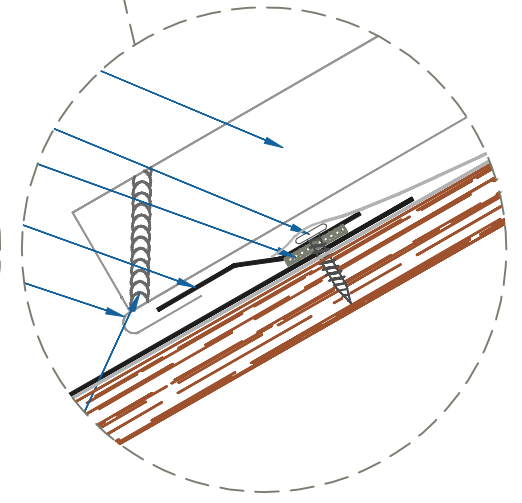
DREXEL APPROVED TUBE SEALANT  
(FIELD APPLIED BETWEEN PANEL RIBS)

ZOOMED IN VIEW

ZOOMED IN VIEW



NTS



NTS

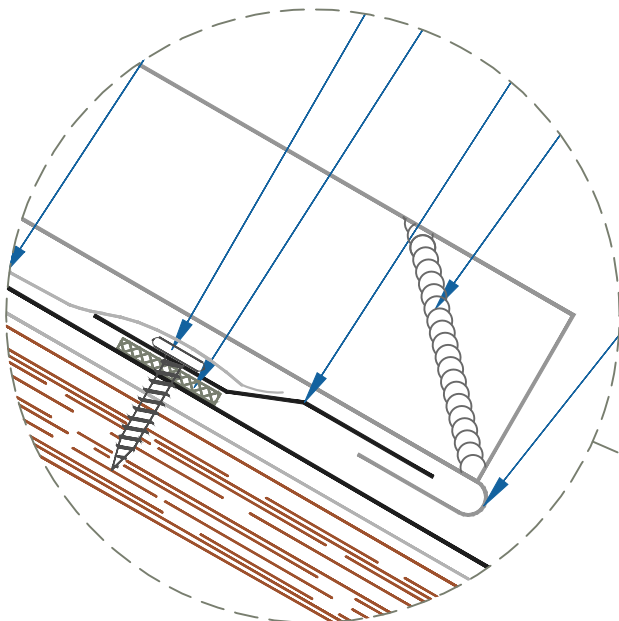
## TRANSITION

SCALE: 3" = 1'-0"

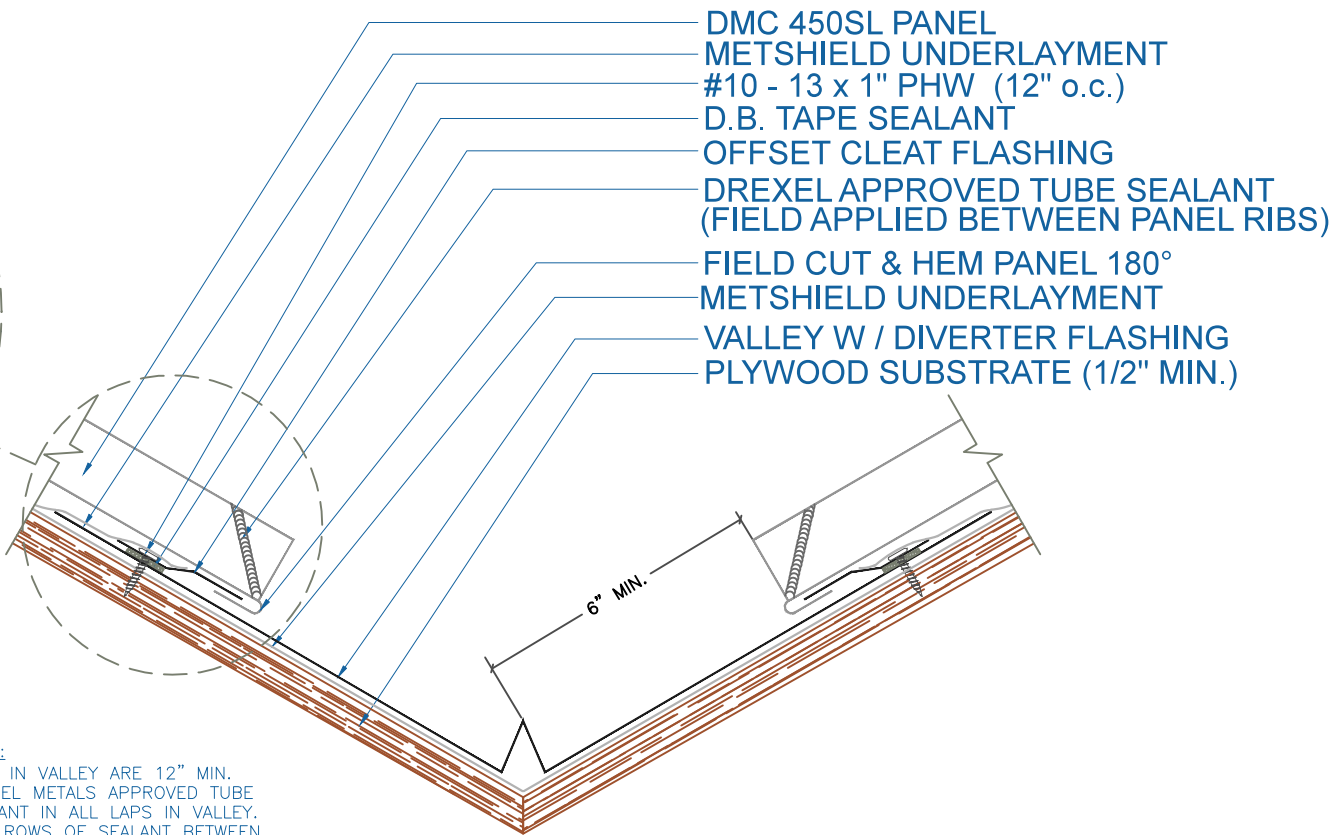
EFFECTIVE DATE: 01-06-14  
SUBJECT TO CHANGE WITHOUT NOTICE

# DMC 450SL - PLYWOOD

ZOOMED IN VIEW



NTS



NOTE:

- 1.) LAPS IN VALLEY ARE 12" MIN.  
DREXEL METALS APPROVED TUBE SEALANT IN ALL LAPS IN VALLEY.  
TWO ROWS OF SEALANT BETWEEN VALLEY LAPS, 4" UP FROM LAP.
- 2.) LARGE ROOF AREAS MAY REQUIRE A LARGER GAP BETWEEN PANEL AND DIVERTER TO ALLOW FOR STORM WATER RUN OFF.

## VALLEY W / DIVERTER

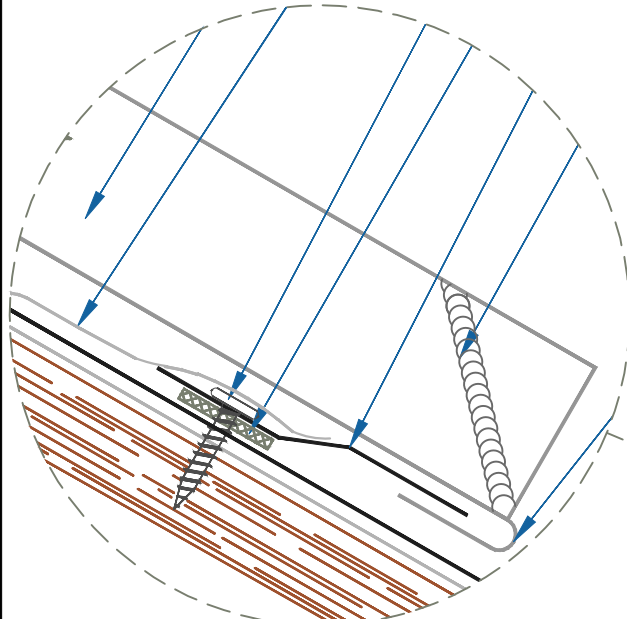
SCALE: 3" = 1'-0"

EFFECTIVE DATE: 01-06-14  
SUBJECT TO CHANGE WITHOUT NOTICE

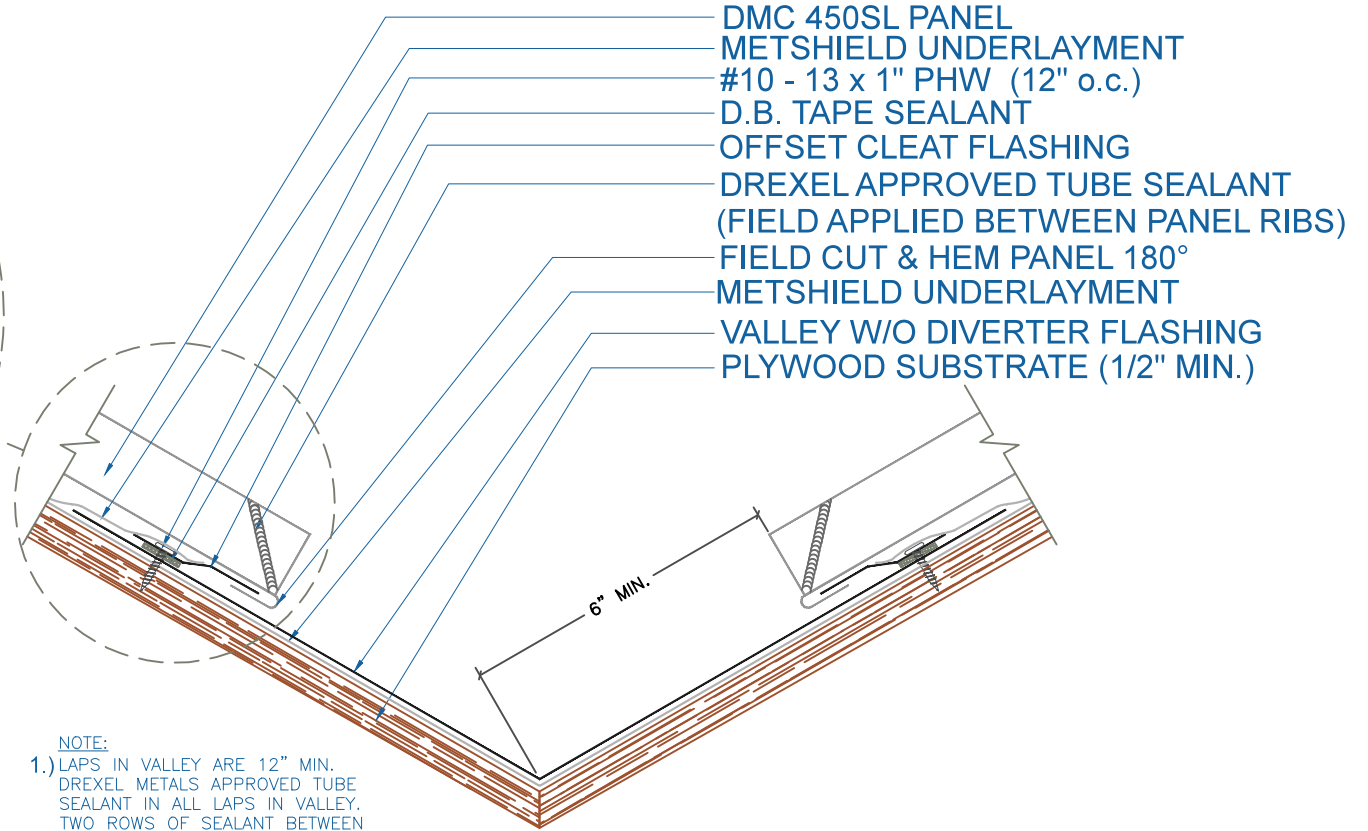


# DMC 450SL - PLYWOOD

ZOOMED IN VIEW



NTS



NOTE:

- 1.) LAPS IN VALLEY ARE 12" MIN.  
DREXEL METALS APPROVED TUBE SEALANT IN ALL LAPS IN VALLEY.  
TWO ROWS OF SEALANT BETWEEN VALLEY LAPS, 4" UP FROM LAP.
- 2.) LARGE ROOF AREAS MAY REQUIRE A LARGER GAP BETWEEN PANEL AND DIVERTER TO ALLOW FOR STORM WATER RUN OFF.

## VALLEY W/O DIVERTER

**Drexel Metals**  
Roofing Systems + Custom Fabrication

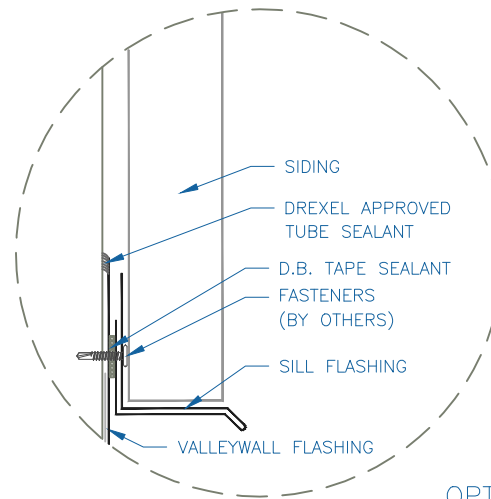
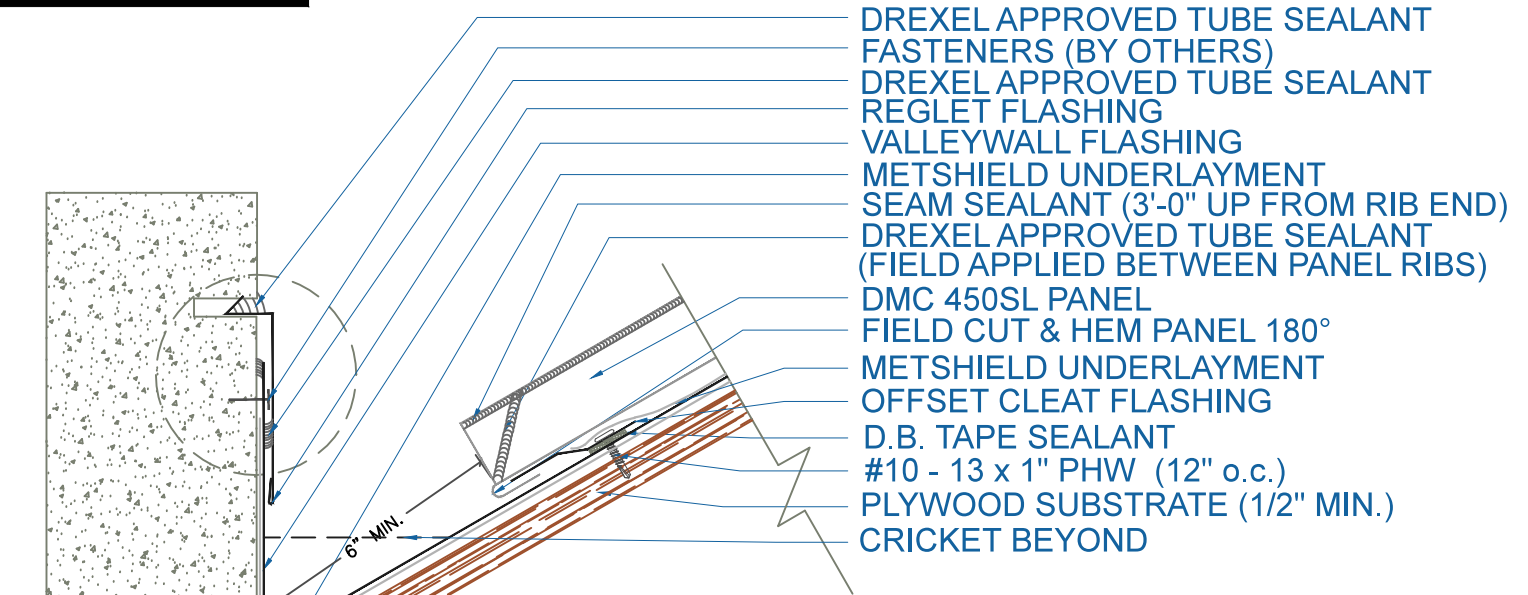
EFFECTIVE DATE: 01-06-14  
SUBJECT TO CHANGE WITHOUT NOTICE

SCALE: 3" = 1'-0"

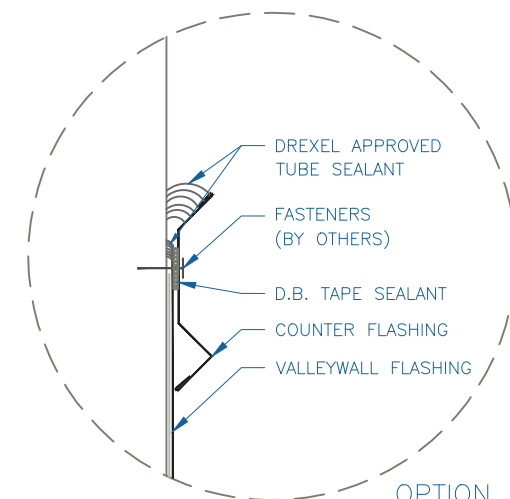
# DMC 450SL - PLYWOOD

**NOTE:**

- 1.) LAPS IN VALLEYWALL ARE 12" MIN. DREXEL METALS APPROVED SEALANT IN ALL LAPS IN VALLEY. TWO ROWS OF SEALANT BETWEEN VALLEYWALL LAPS, 4" UP FROM LAP.
- 2.) LARGE ROOF AREAS MAY REQUIRE A LARGER GAP BETWEEN PANEL AND WALL TO ALLOW FOR STORM WATER RUN OFF.

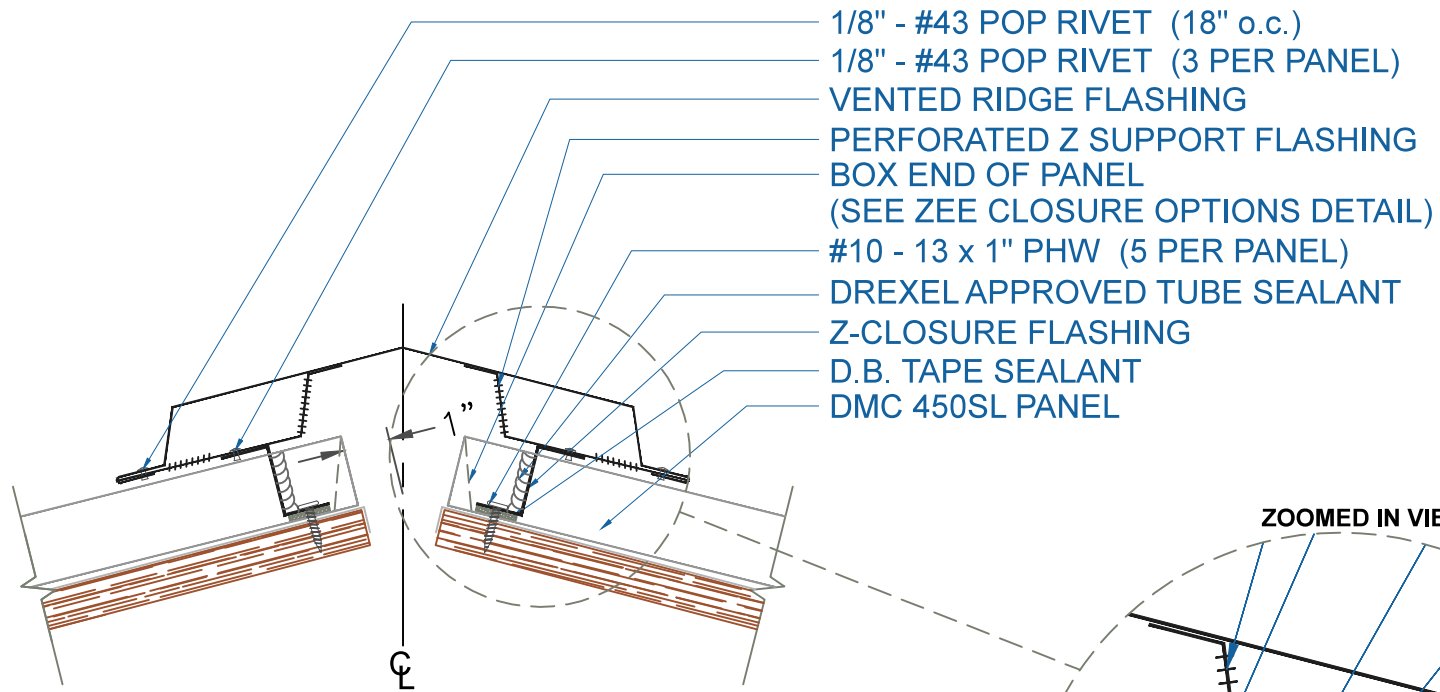


OPTION 1

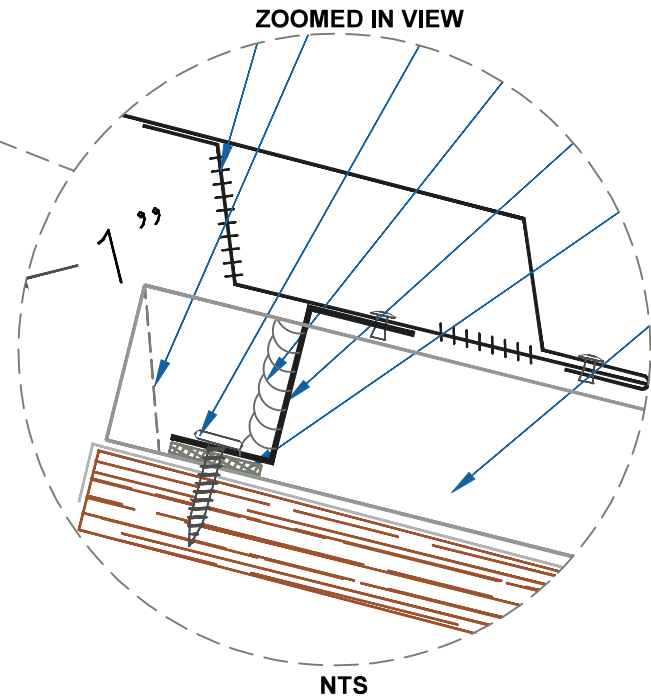
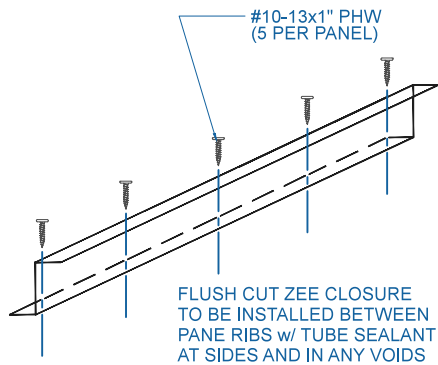


OPTION 2

# DMC 450SL - PLYWOOD



NOTE:  
 1.) NET FREE AREA = 6.16 SQ IN/FT



## VENTED RIDGE / HIP

SCALE: 3" = 1'-0"

EFFECTIVE DATE: 01-06-14  
 SUBJECT TO CHANGE WITHOUT NOTICE