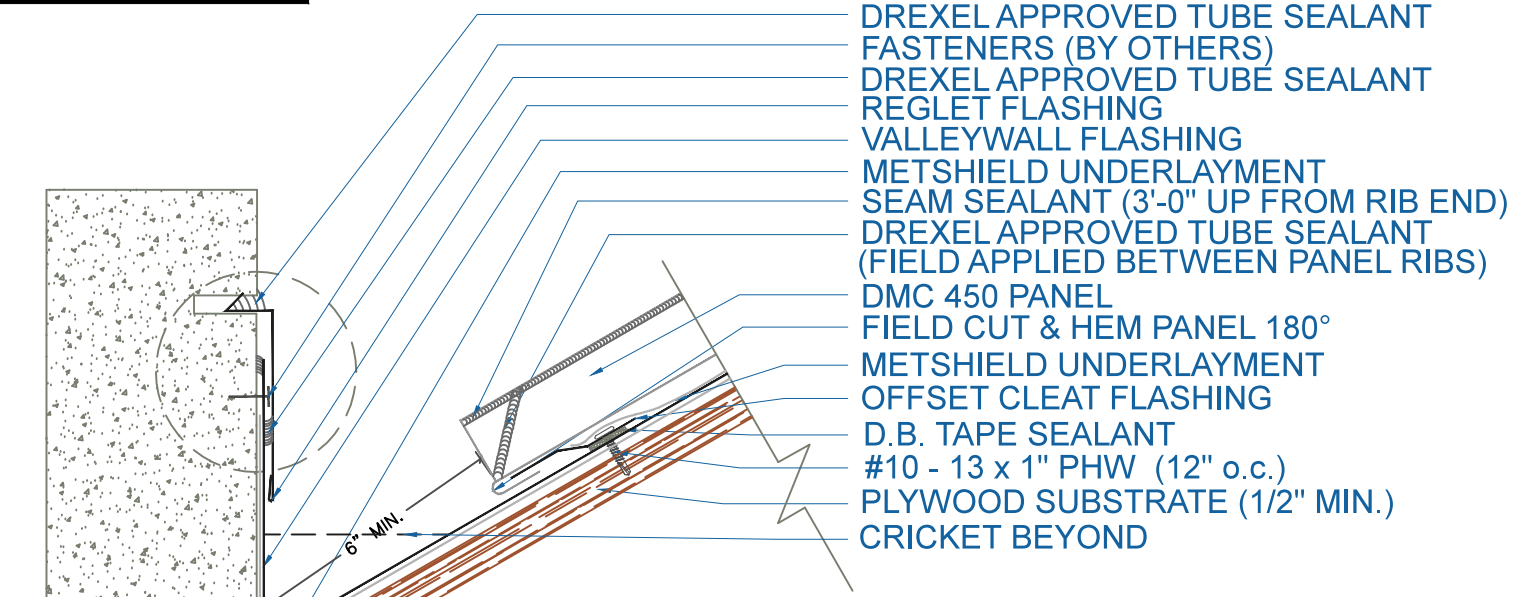


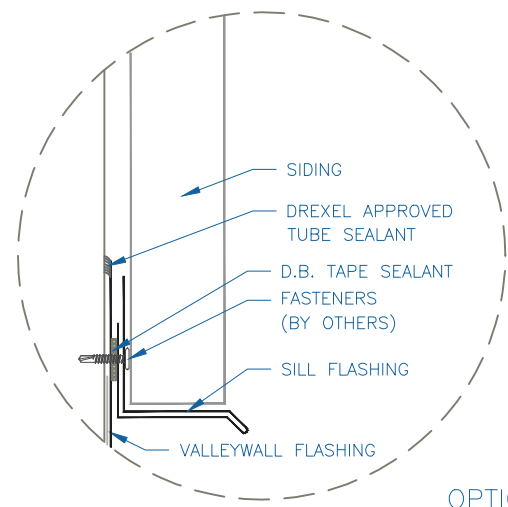
DMC 450 - PLYWOOD

NOTE:

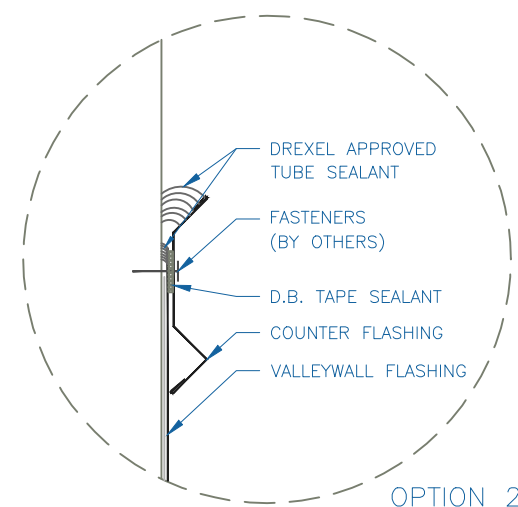
- 1.) LAPS IN VALLEYWALL ARE 12" MIN. DREXEL METALS APPROVED SEALANT IN ALL LAPS IN VALLEY. TWO ROWS OF SEALANT BETWEEN VALLEYWALL LAPS, 4" UP FROM LAP.
- 2.) LARGE ROOF AREAS MAY REQUIRE A LARGER GAP BETWEEN PANEL AND WALL TO ALLOW FOR STORM WATER RUN OFF.



- DREXEL APPROVED TUBE SEALANT
- FASTENERS (BY OTHERS)
- DREXEL APPROVED TUBE SEALANT
- REGLET FLASHING
- VALLEYWALL FLASHING
- METSHIELD UNDERLAYMENT
- SEAM SEALANT (3'-0" UP FROM RIB END)
- DREXEL APPROVED TUBE SEALANT (FIELD APPLIED BETWEEN PANEL RIBS)
- DMC 450 PANEL
- FIELD CUT & HEM PANEL 180°
- METSHIELD UNDERLAYMENT
- OFFSEET CLEAT FLASHING
- D.B. TAPE SEALANT
- #10 - 13 x 1" PHW (12" o.c.)
- PLYWOOD SUBSTRATE (1/2" MIN.)
- CRICKET BEYOND



OPTION 1



OPTION 2

VALLEYWALL

SCALE: 3" = 1'-0"



EFFECTIVE DATE: 01-06-14
SUBJECT TO CHANGE WITHOUT NOTICE