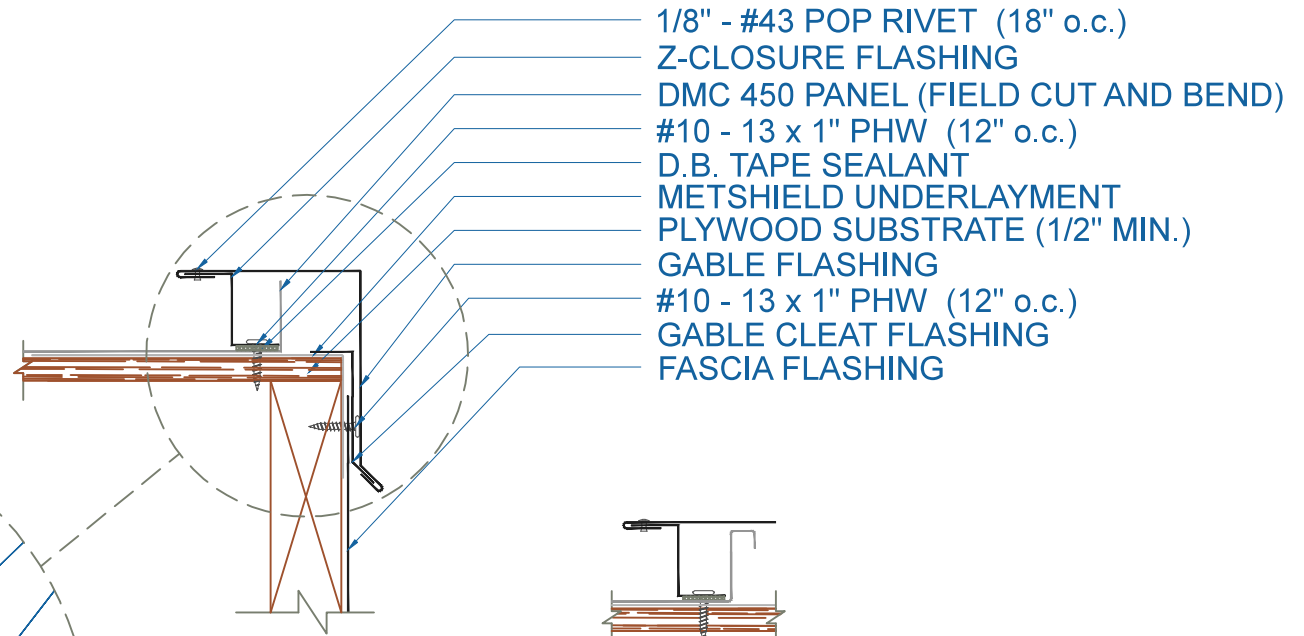
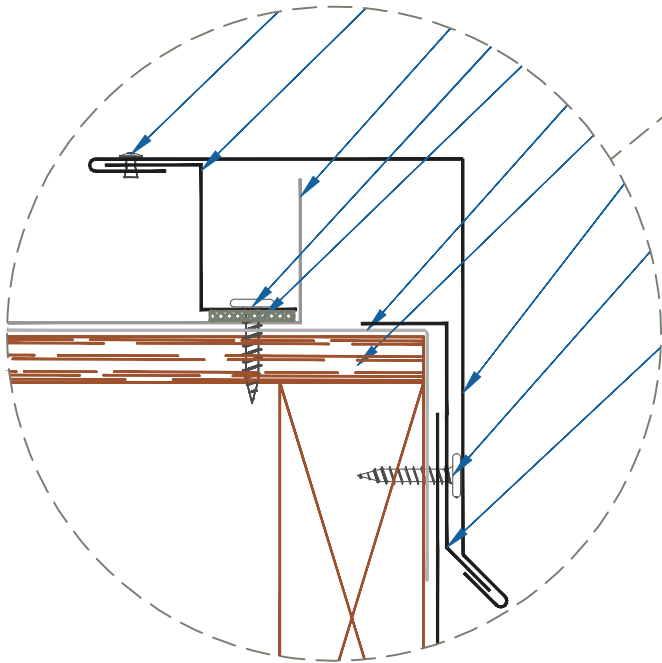


DMC 450 - PLYWOOD

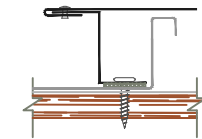


- 1/8" - #43 POP RIVET (18" o.c.)
- Z-CLOSURE FLASHING
- DMC 450 PANEL (FIELD CUT AND BEND)
- #10 - 13 x 1" PHW (12" o.c.)
- D.B. TAPE SEALANT
- METSHIELD UNDERLAYMENT
- PLYWOOD SUBSTRATE (1/2" MIN.)
- GABLE FLASHING
- #10 - 13 x 1" PHW (12" o.c.)
- GABLE CLEAT FLASHING
- FASCIA FLASHING

ZOOMED IN VIEW



NTS



ON MODULE

EFFECTIVE DATE: 01-06-14
SUBJECT TO CHANGE WITHOUT NOTICE

GABLE

SCALE: 3" = 1'-0"

Drexel Metals
Roofing Systems + Custom Fabrication

