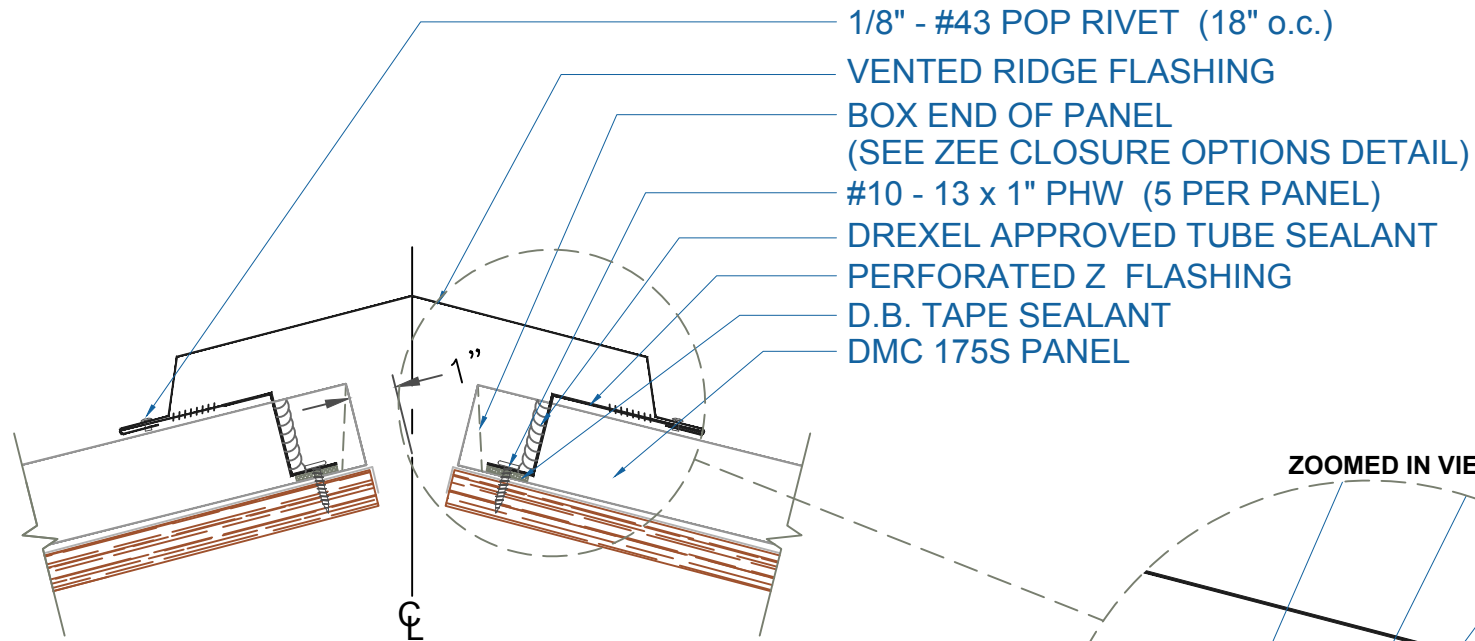
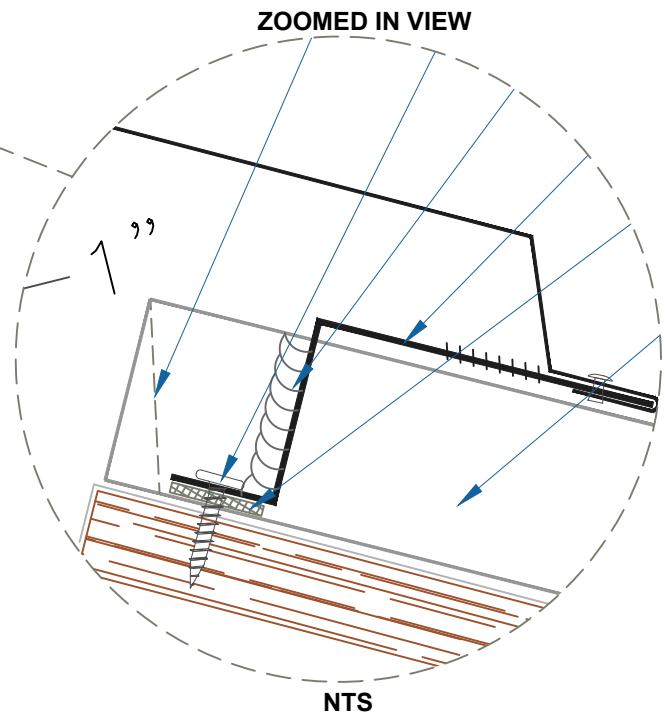
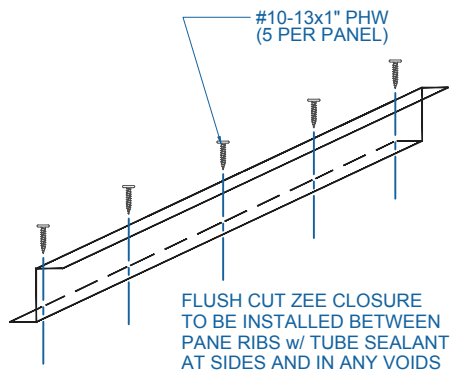


# DMC 175S - PLYWOOD



NOTE:  
 1. NET FREE AREA = 6.16 SQ IN/FT



EFFECTIVE DATE: 11-05-20  
 SUBJECT TO CHANGE WITHOUT NOTICE

## VENTED RIDGE / HIP

SCALE: 3" = 1'-0"