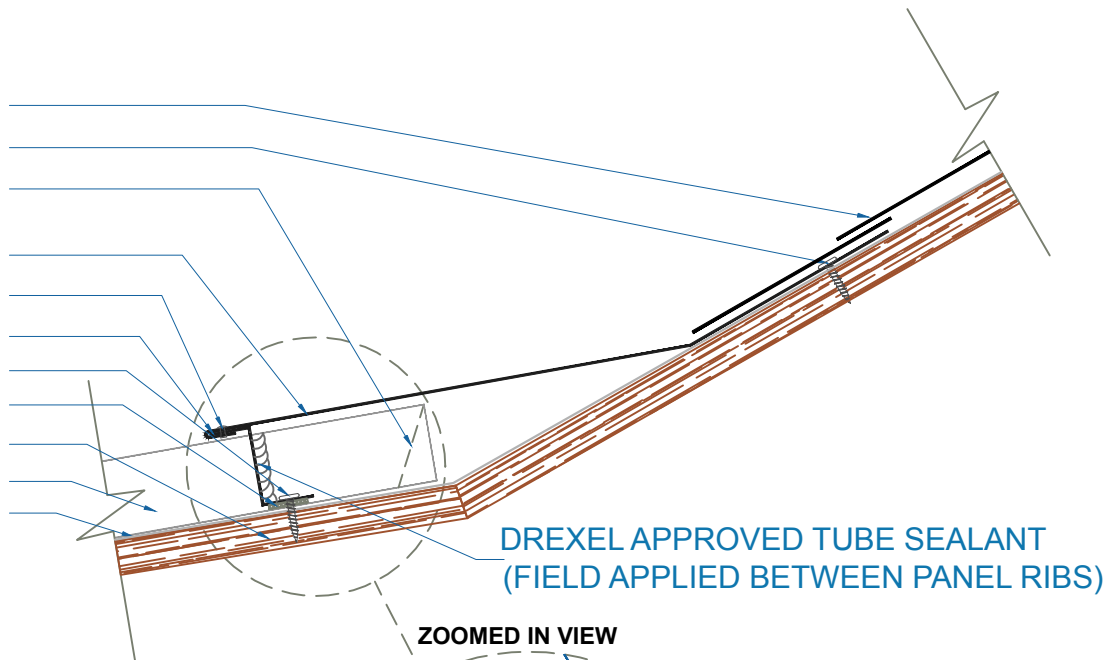


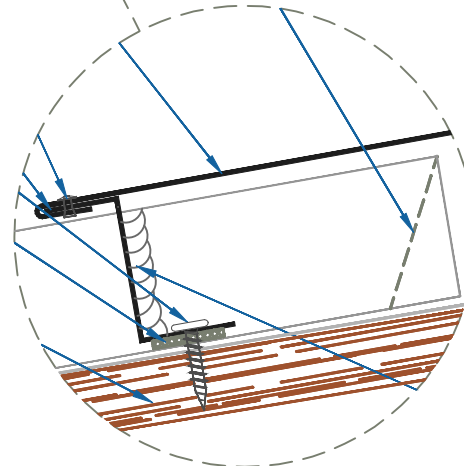
# DMC 175S - PLYWOOD

- SHINGLE ROOF (By Others)
- #10 - 13 x 1" PHW (12" o.c.)
- BOX END OF PANEL
- (SEE ZEE CLOSURE OPTIONS DETAIL)
- TRANSITION FLASHING
- 1/8" - #43 POP RIVET (18" o.c.)
- Z-CLOSURE
- #10 - 13 x 1" PHW (5 PER PANEL)
- D.B. TAPE SEALANT
- PLYWOOD SUBSTRATE (1/2" MIN.)
- DMC 175S PANEL
- METSHIELD HT UNDERLAYMENT

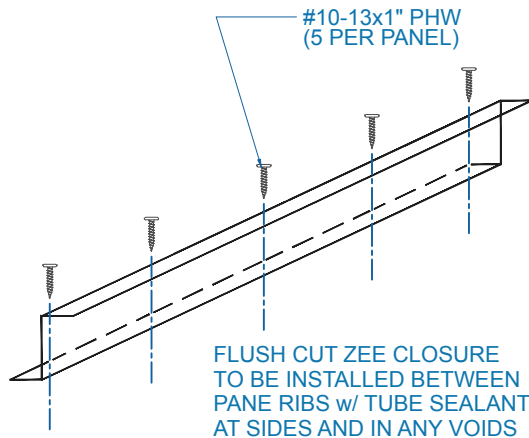


DREXEL APPROVED TUBE SEALANT  
(FIELD APPLIED BETWEEN PANEL RIBS)

ZOOMED IN VIEW



NTS



FLUSH CUT ZEE CLOSURE  
TO BE INSTALLED BETWEEN  
PANE RIBS w/ TUBE SEALANT  
AT SIDES AND IN ANY VOIDS

## TRANSITION FROM SHINGLE

SCALE: 3" = 1'-0"

EFFECTIVE DATE: 08-07-17  
SUBJECT TO CHANGE WITHOUT NOTICE