

DMC 175S - PLYWOOD

- NON-PVC MEMBRANE
- METSHIELD HT UNDERLAYMENT STRIP IN BOX END OF PANEL (SEE ZEE CLOSURE OPTIONS DETAIL)
- TRANSITION FLASHING
- 1/8" - #43 POP RIVET (18" o.c.)
- Z-CLOSURE
- #10 - 13 x 1" PHW (5 PER PANEL)
- D.B. TAPE SEALANT
- PLYWOOD SUBSTRATE (1/2" MIN.)
- DMC 175S PANEL
- METSHIELD HT UNDERLAYMENT

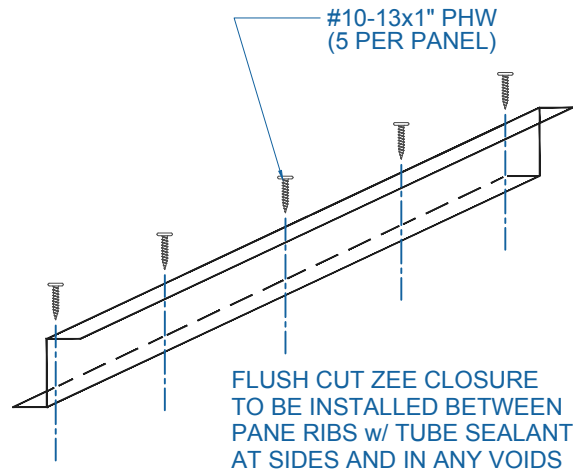
*CONTACT MEMBRANE MANUF. FOR TIE-IN DETAIL

*1/4" MIN. SLOPE

DREXEL APPROVED TUBE SEALANT (FIELD APPLIED BETWEEN PANEL RIBS)

ZOOMED IN VIEW

ZOOMED IN VIEW



NTS

NTS

TRANSITION

EFFECTIVE DATE: 11-30-22
SUBJECT TO CHANGE WITHOUT NOTICE

SCALE: 3" = 1'-0"