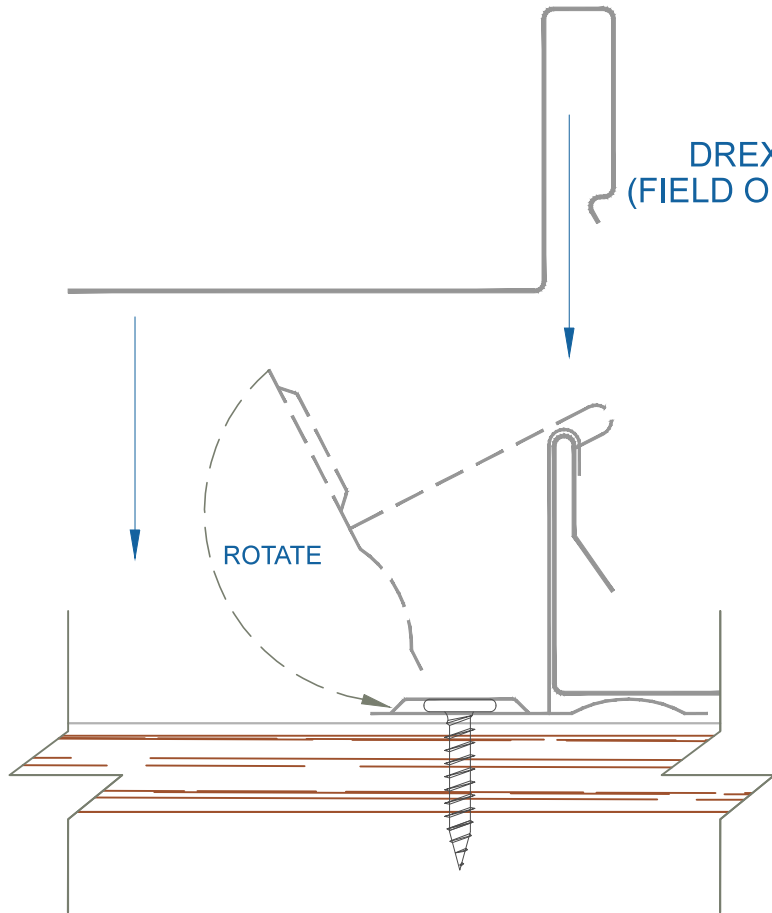
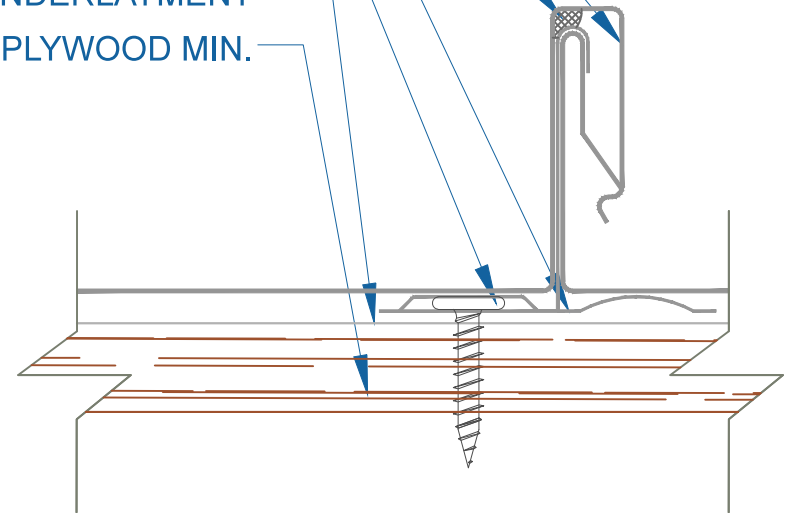


DMC 175S - SOLID SUBSTRATE



- DMC 175S PANEL
- DREXEL APPROVED SEALANT (OPTIONAL)
(FIELD OR MACHINE APPLIED TUBE SEALANT)
- DMC 175S UL CLIP
- #10 - 13 x 1" PHW (2 Per Clip)
- METSHIELD UNDERLAYMENT
- 1/2" PLYWOOD MIN.



EFFECTIVE DATE: 06-13-2013
SUBJECT TO CHANGE WITHOUT NOTICE

PANEL INSTALLATION

SCALE: NTS