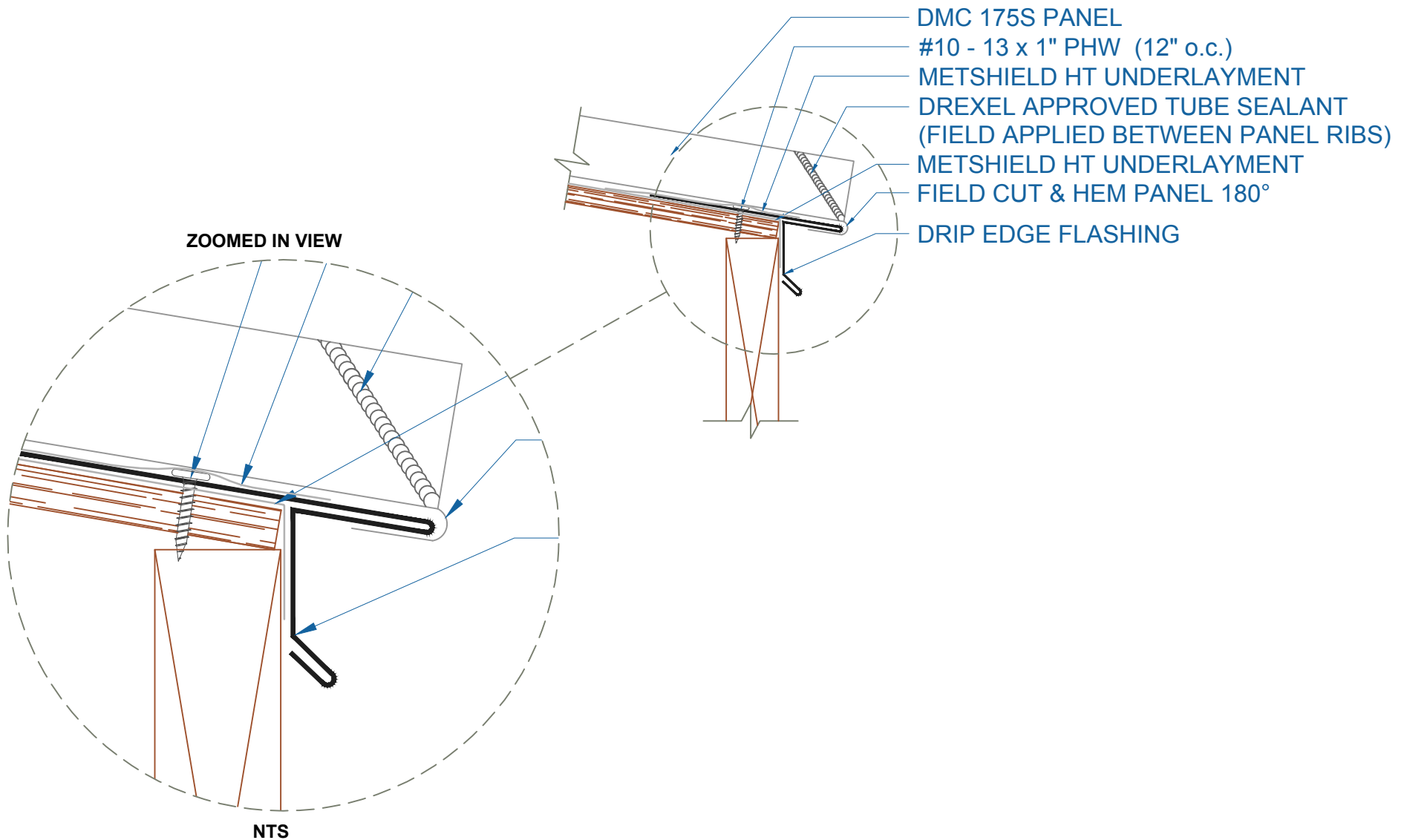


# DMC 175S - PLYWOOD



EFFECTIVE DATE: 8-1-17  
SUBJECT TO CHANGE WITHOUT NOTICE

## DRIP EDGE

SCALE: 3" = 1'-0"