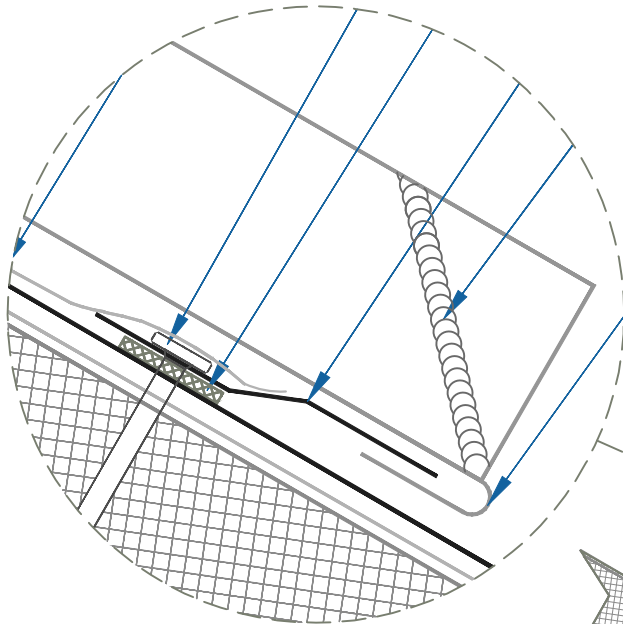
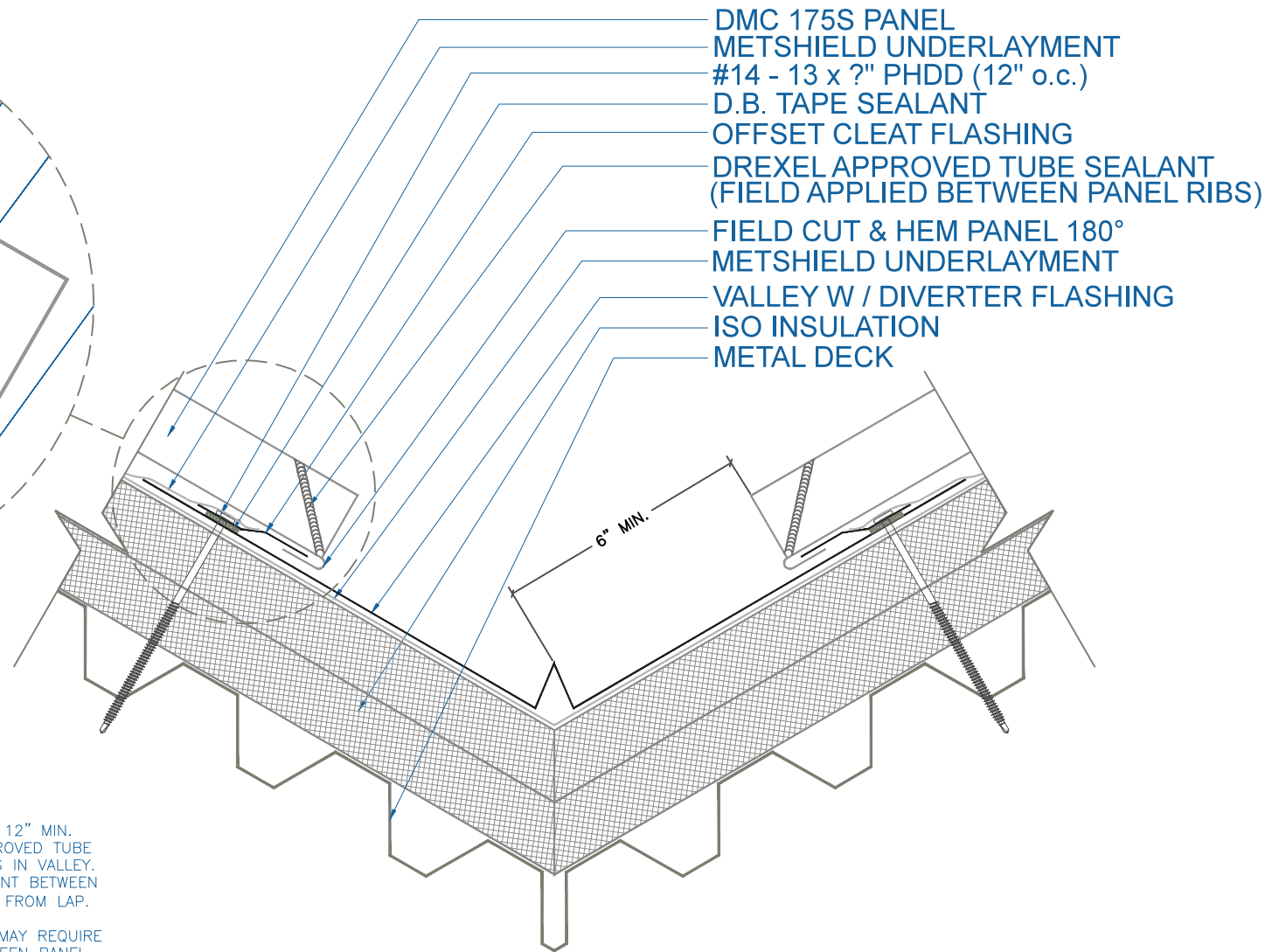


DMC 175S - ISO w/ METAL DECK

ZOOMED IN VIEW



NTS



NOTE:

- 1.) LAPS IN VALLEY ARE 12" MIN. DREXEL METALS APPROVED TUBE SEALANT IN ALL LAPS IN VALLEY. TWO ROWS OF SEALANT BETWEEN VALLEY LAPS, 4" UP FROM LAP.
- 2.) LARGE ROOF AREAS MAY REQUIRE A LARGER GAP BETWEEN PANEL AND DIVERTER TO ALLOW FOR STORM WATER RUN OFF.

VALLEY W / DIVERTER

SCALE: 3" = 1'-0"

DrexelMetals
Roofing Systems + Custom Fabrication



EFFECTIVE DATE: 05-24-2013
SUBJECT TO CHANGE WITHOUT NOTICE