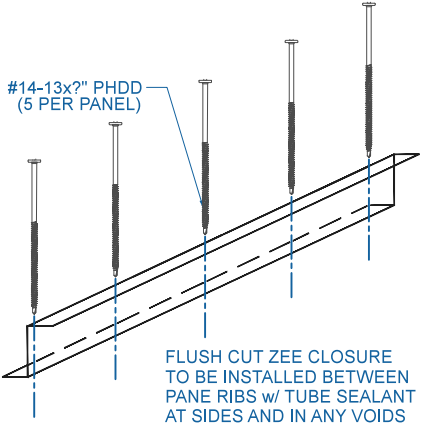
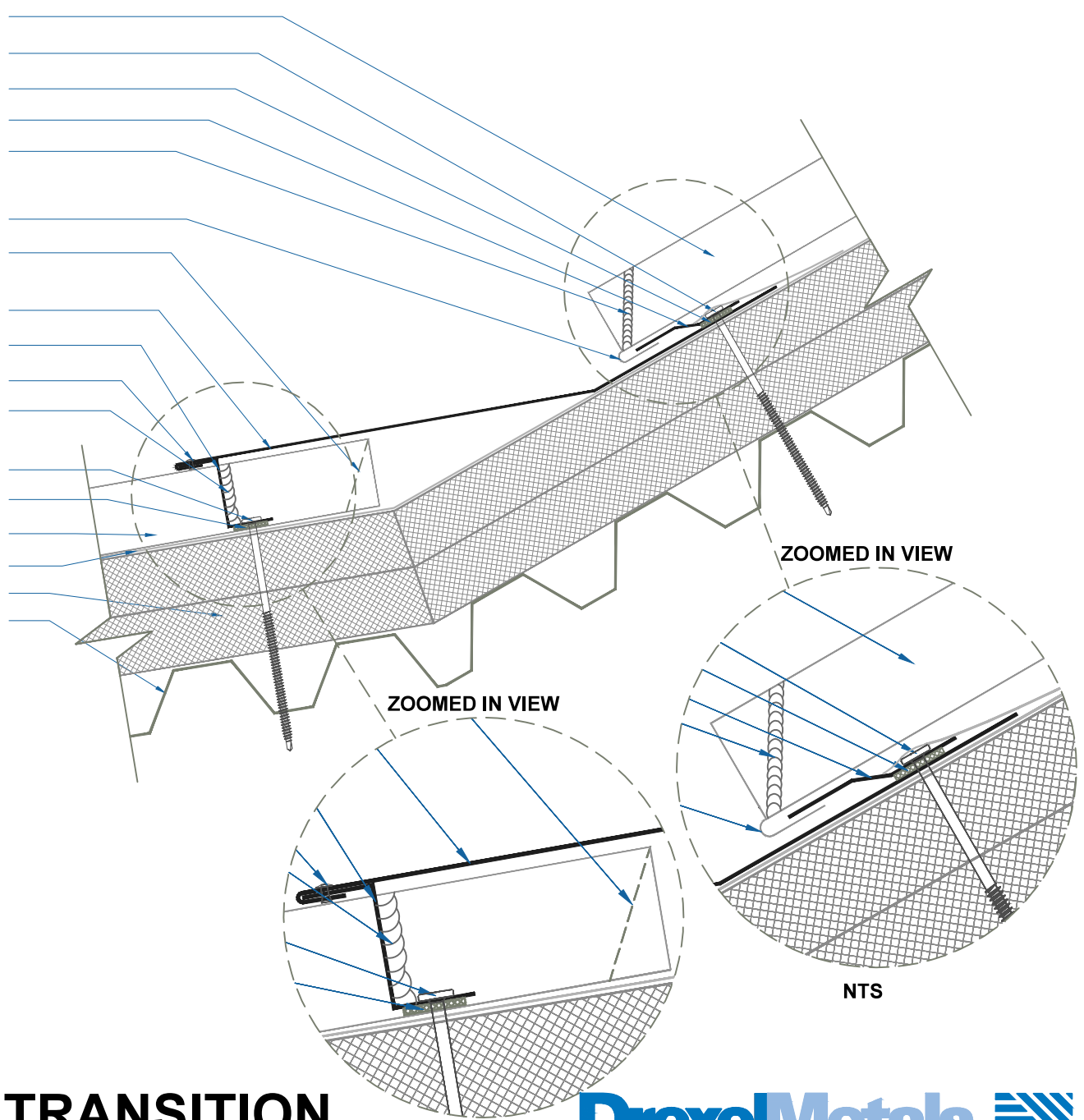


DMC 175S - ISO w/ METAL DECK

- DMC 175S PANEL
- #14 - 13 x ?" PHDD (12" o.c.)
- D.B. TAPE SEALANT
- OFFSET CLEAT FLASHING
- DREXEL APPROVED TUBE SEALANT (FIELD APPLIED BETWEEN PANEL RIBS)
- FIELD CUT & HEM PANEL 180°
- BOX END OF PANEL (SEE ZEE CLOSURE OPTIONS DETAIL)
- TRANSITION FLASHING
- Z-CLOSURE
- 1/8" - #43 POP RIVET (18" o.c.)
- DREXEL APPROVED TUBE SEALANT (FIELD APPLIED BETWEEN PANEL RIBS)
- #14 - 13 x ?" PHDD (5 PER PANEL)
- D.B. TAPE SEALANT
- DMC 175S PANEL
- METSHIELD UNDERLAYMENT
- ISO INSULATION
- METAL DECK



TRANSITION

SCALE: 3" = 1'-0"

EFFECTIVE DATE: 05-24-2013
SUBJECT TO CHANGE WITHOUT NOTICE

