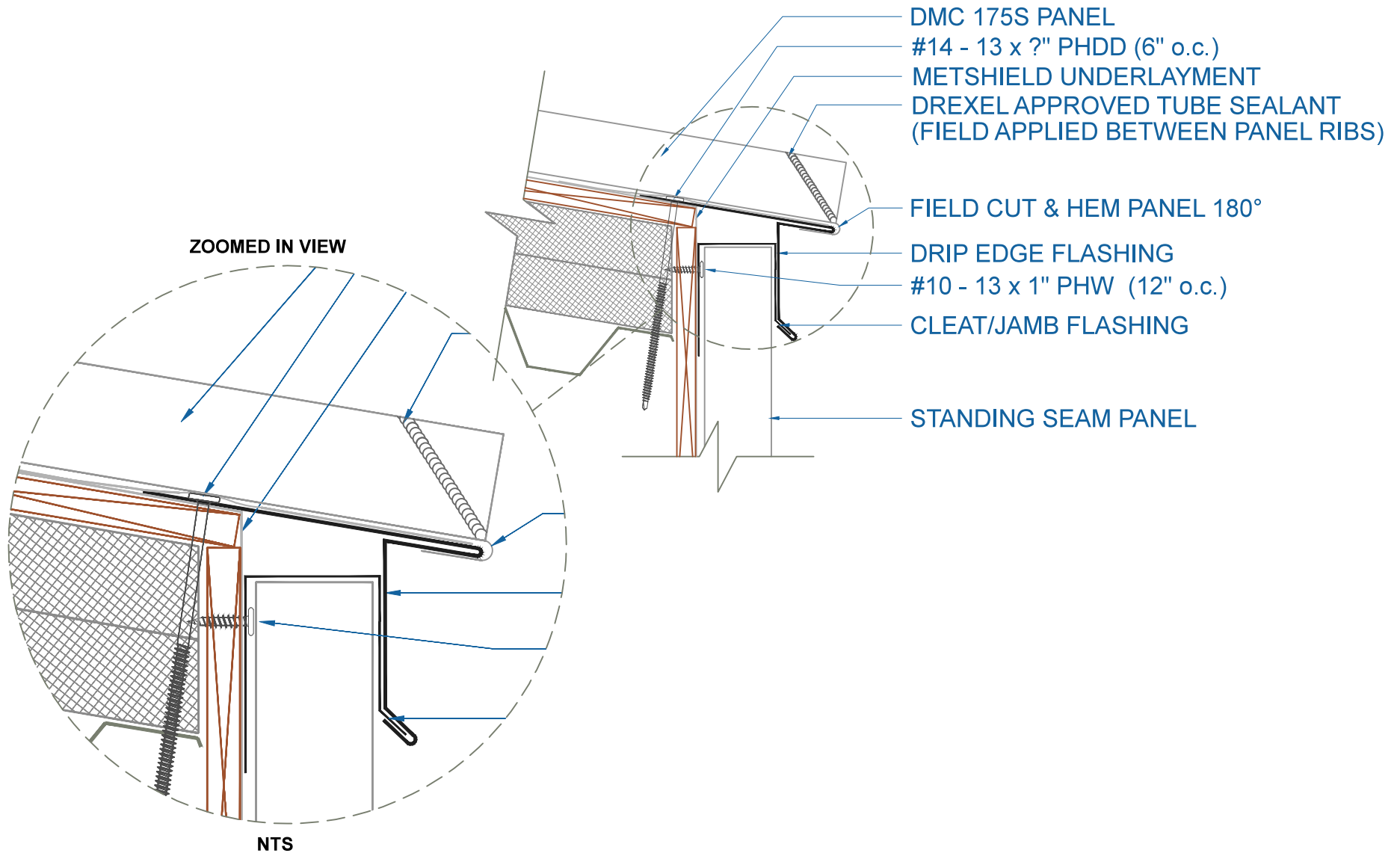


DMC 175S - ISO w/ METAL DECK



DRIP EDGE w/STANDING SEAM PANEL

EFFECTIVE DATE: 05-24-2013
SUBJECT TO CHANGE WITHOUT NOTICE

SCALE: 3" = 1'-0"